

# ASSEMBLY INSTRUCTIONS COASTER FINE FURNITURE



Fine Furniture for every stage of life

100730  
BARSTOOL

REVISION:06/16/2020  
REVISION:08/04/2022

COASTERFURNITURE.COM

**ITEM :100730**  
**ASSEMBLY INSTRUCTIONS**



**ASSEMBLY TIPS:**

1. Remove hardware from box and sort by size.
2. Please check to see that all hardware and parts are present prior to start of assembly.
3. Please follow attached instructions in the same sequence as numbered to assure fast & easy assembly.



**Warning!**

1. Don't attempt to repair or modify parts that are broken or defective. Please contact the store immediately.
2. This product is for home use only and not intended for commercial establishments.



**ASSEMBLY TIME 5 MINUTES**

**PARTS IDENTIFICATION**

	PART NAME	FIGURE	QTY
<b>A</b>	BAMBOO TOP		1PC
<b>B</b>	SAIVER		1PC
<b>C</b>	BASE		1PC
<b>D</b>	MAIN POST		1PC

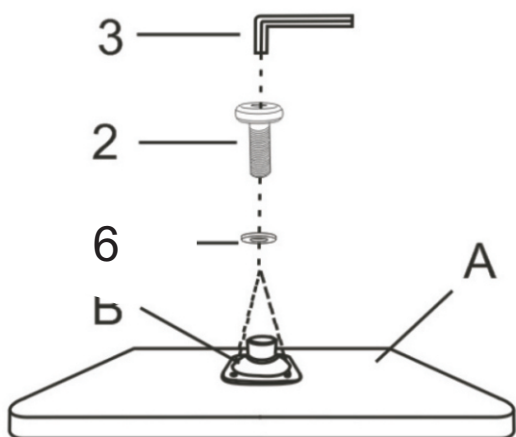
**HARDWARE IDENTIFICATION**

	HARDWARE NAME	FIGURE	QTY
<b>1</b>	BOLTS M8x32MM		3PCS
<b>2</b>	BOLTS M6x14MM		4PCS
<b>3</b>	ALLEN WRENCH M6		1PC
<b>4</b>	ALLEN WRENCH M4		1PC
<b>5</b>	BOLT 6 MM		2PCS
<b>6</b>	WASHER		4PCS

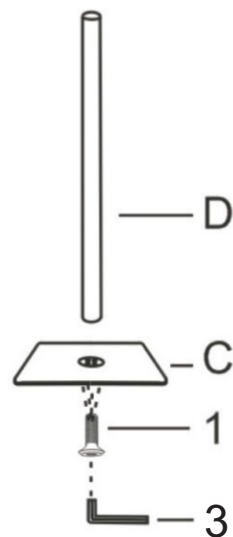
ITEM :100730  
ASSEMBLY INSTRUCTIONS



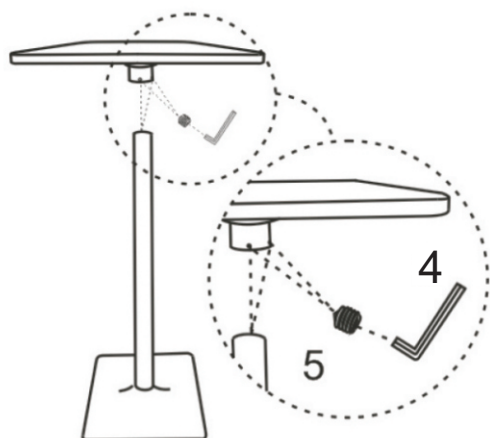
STEP1



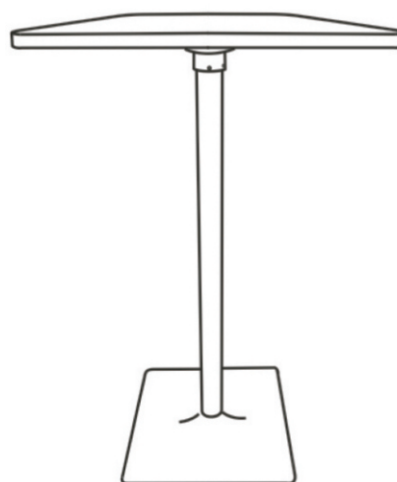
STEP2



STEP3



STEP4



ITEM :100730  
ASSEMBLY INSTRUCTIONS

