

# ASSEMBLY INSTRUCTIONS COASTER FINE FURNITURE



Fine Furniture for every stage of life

102556  
BARSTOOL

REIVSION:06/16/2020  
REIVSION:08/04/2022

COASTERFURNITURE.COM

**ITEM :102556**  
**ASSEMBLY INSTRUCTIONS**



**ASSEMBLY TIPS:**

1. Remove hardware from box and sort by size.
2. Please check to see that all hardware and parts are present prior to start of assembly.
3. Please follow attached instructions in the same sequence as numbered to assure fast & easy assembly.



**Warning!**

1. Don't attempt to repair or modify parts that are broken or defective. Please contact the store immediately.
2. This product is for home use only and not intended for commercial establishments.



ASSEMBLY TIME	5 MINUTES
---------------	-----------

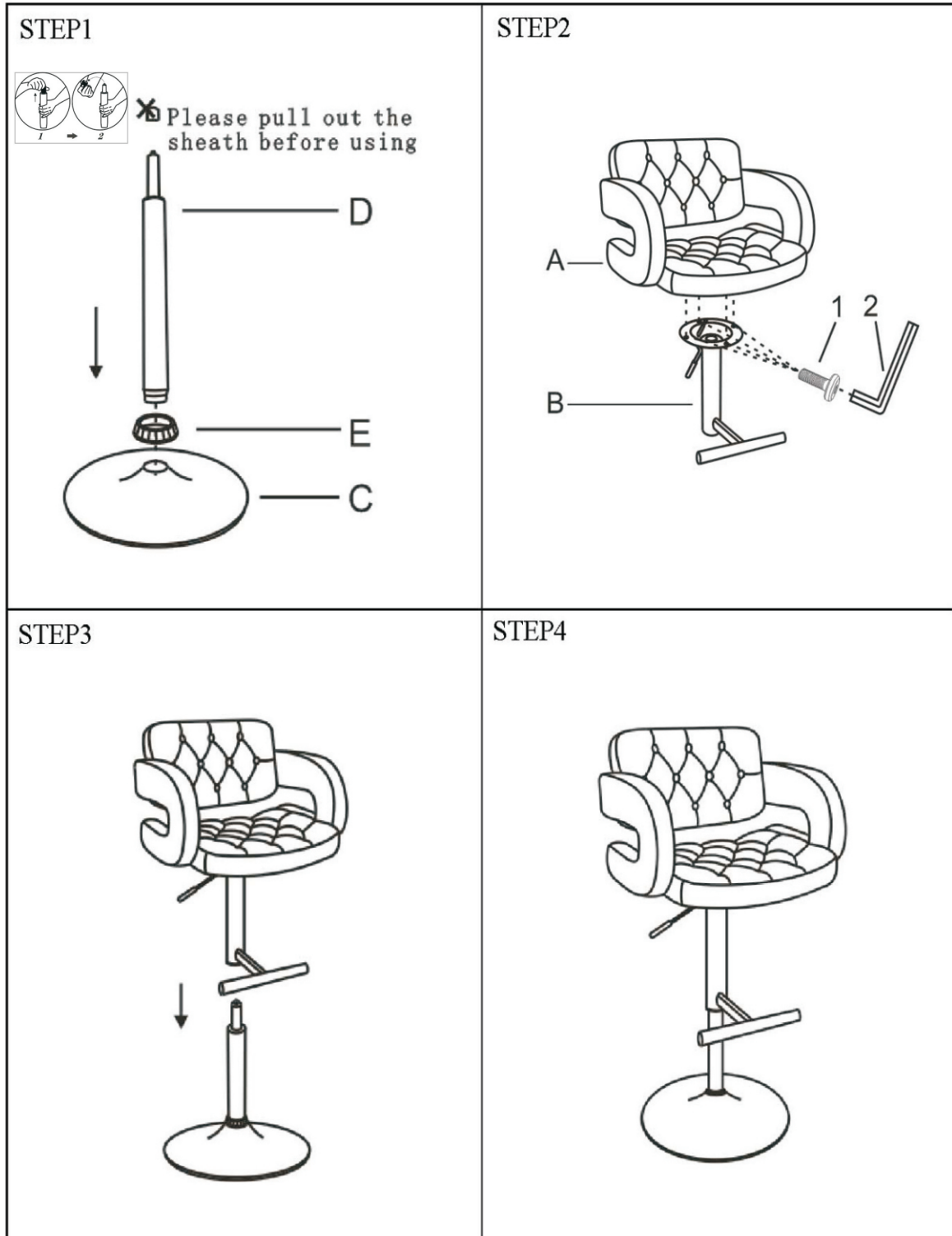
**PARTS IDENTIFICATION**

	PART NAME	FIGURE	QTY
A	SEAT		1PC
B	FOOT REST		1PC
C	BASE		1PC
D	GAS CYLINDER		1PC
E	COVER RING		1PC

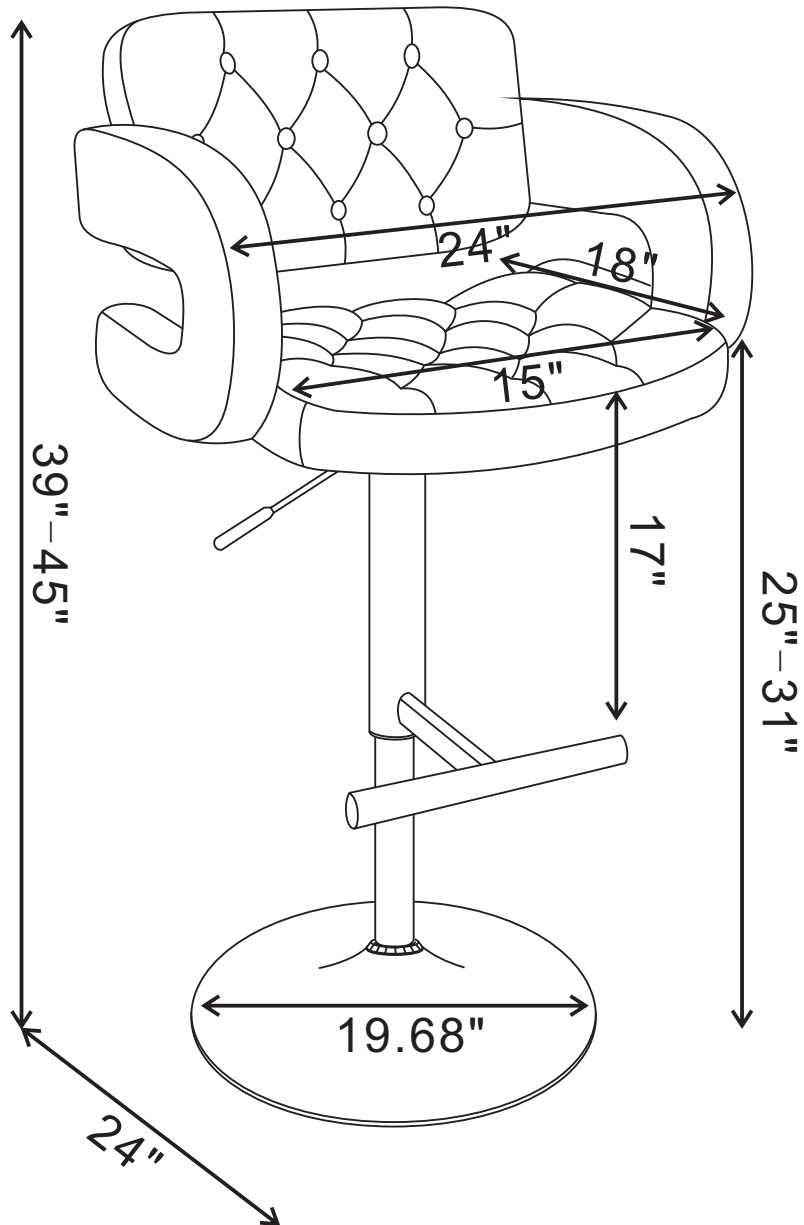
**HARDWARE IDENTIFICATION**

	HARDWARE NAME	FIGURE	QTY
1	BOLTS M6x16MM		4PCS
2	ALLEN WRENCH M6		1PC

ITEM :102556  
ASSEMBLY INSTRUCTIONS



ITEM :102556  
ASSEMBLY INSTRUCTIONS



Note: Dimension tolerance  $\pm 5\%$

COASTERFURNITURE.COM