



# ASSEMBLY INSTRUCTIONS COASTER FINE FURNITURE



Fine Furniture for every stage of life

800725  
OFFICE CHAIR

REIVSION:06/16/2020  
REIVSION 1:2022-07-15

PAGE 1 OF 4

COASTERFURNITURE.COM

**ITEM :800725**  
**ASSEMBLY INSTRUCTIONS**



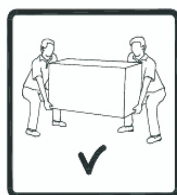
**ASSEMBLY TIPS:**

1. Remove hardware from box and sort by size.
2. Please check to see that all hardware and parts are present prior to start of assembly.
3. Please follow attached instructions in the same sequence as numbered to assure fast & easy assembly.





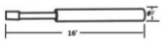


**Warning!**

1. Don't attempt to repair or modify parts that are broken or defective. Please contact the store immediately.
2. This product is for home use only and not intended for commercial establishments.





<b>ASSEMBLY TIME</b>	<b>5 MINUTES</b>
----------------------	------------------

**PARTS IDENTIFICATION**

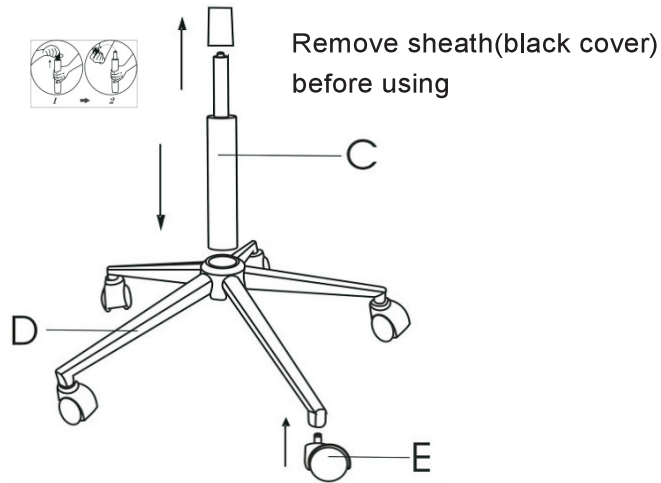
	<b>PART NAME</b>	<b>FIGURE</b>	<b>QTY</b>
<b>A</b>	<b>SEAT AND BACK</b>		<b>1 PC</b>
<b>B</b>	<b>ADJUSTING PLATE</b>		<b>1 PC</b>
<b>C</b>	<b>GAS CYLIDNER</b>		<b>1 PC</b>
<b>D</b>	<b>BASE</b>		<b>1 PC</b>
<b>E</b>	<b>CASTER</b>		<b>5 PCS</b>

**HARDWARE IDENTIFICATION**

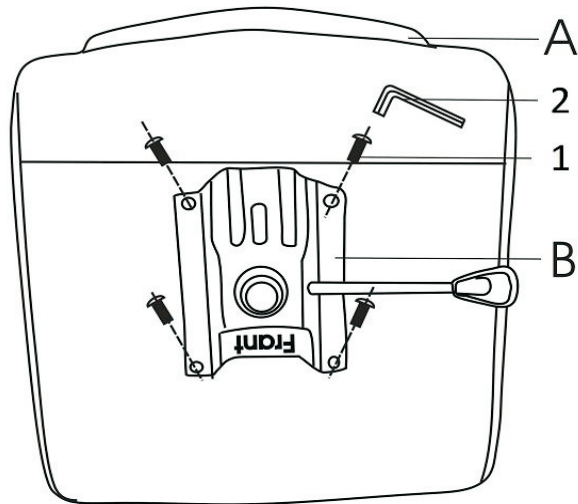
	<b>HARDWARE NAME</b>	<b>FIGURE</b>	<b>QTY</b>
<b>1</b>	<b>BOLTS 3/16X16MM</b>		<b>4PCS</b>
<b>2</b>	<b>ALLEN WRENCH M6</b>		<b>1 PC</b>

# ITEM :800725 ASSEMBLY INSTRUCTIONS

## STEP 1

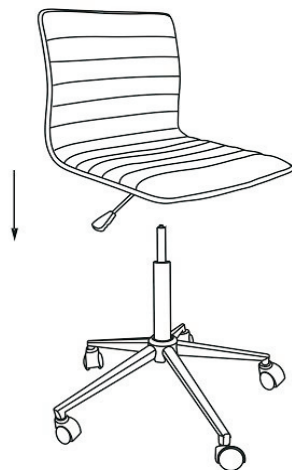


## STEP 2



## STEP 3

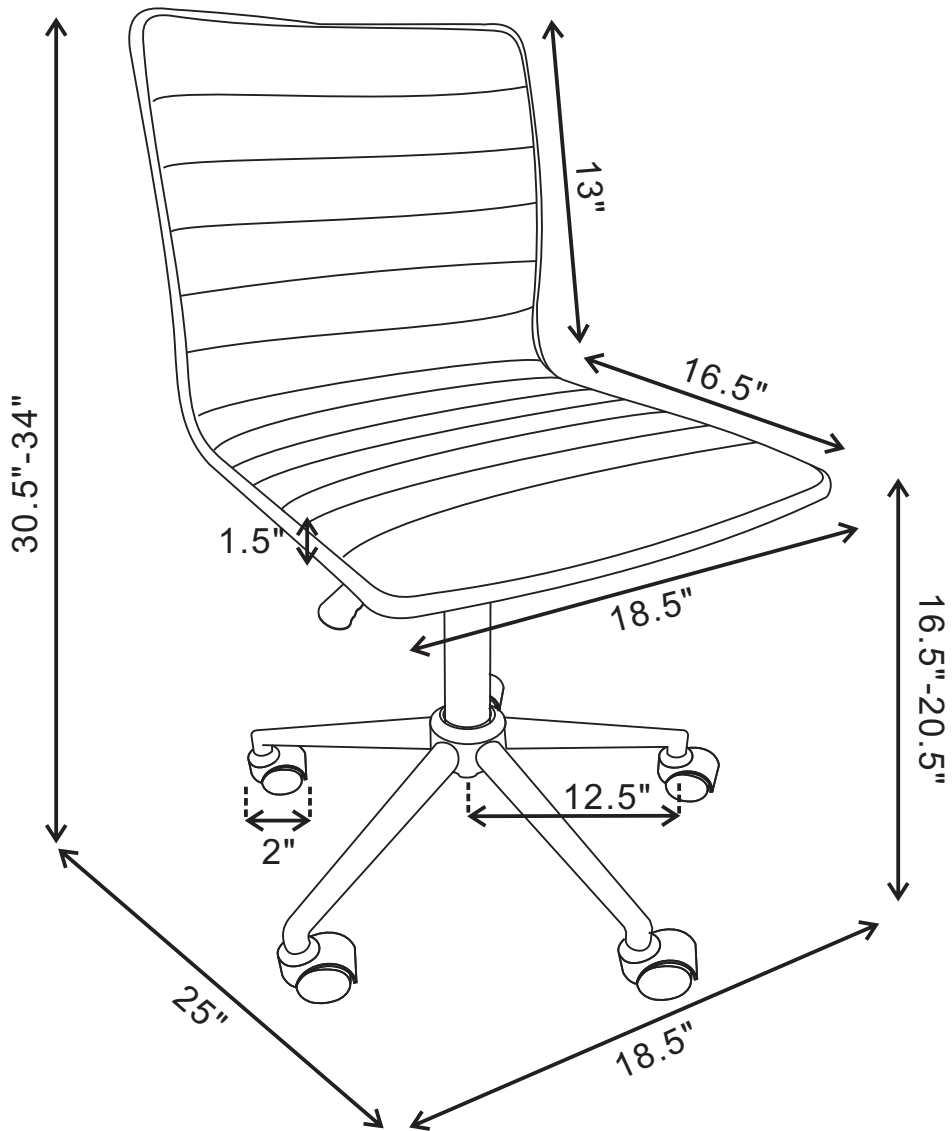
Firmly push top into gas spring



## STEP 4



ITEM :800725  
ASSEMBLY INSTRUCTIONS



Note: Dimension tolerance  $\pm 5\%$