

ASSEMBLY INSTRUCTIONS
COASTER FINE FURNITURE



Fine Furniture for every stage of life

300525F(B1&B2)
Full Bed

ITEM: 300525F(B1&B2)



ASSEMBLY INSTRUCTIONS

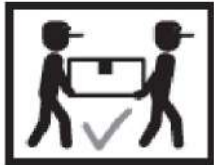
ASSEMBLY TIPS:

1. Remove hardware from box and sort by size.
2. Please check to see that all hardware and parts are present prior to start of assembly.
3. Please follow attached instructions in the same sequence as numbered to assure fast & easy assembly.

WARNING!



1. Don't attempt to repair or modify parts that are broken or defective. Please contact the store immediately.
2. This product is for home use only and not intended for commercial establishments.



ASSEMBLY TIME

30 MINUTES

PARTS IDENTIFICATION

B1(BOX1)

AV HEADBOARD PANEL		1PC	BV HEADBOARD LEG		2PCS
--------------------	--	-----	------------------	--	------

B2(BOX2)

CV FOOTBOARD LEG		2PCS	DV BED RAIL		2PCS
EV FOOTBOARD PANEL		1PC	FV CENTER RAIL SUPPORT WITH LEVELER		4PCS
GV BED SLAT		4PCS	FBV 300525F(B2) FROM BOX2 FOOTBOARD COMPLETE		1PC
HBV 300525F(B1) FROM BOX1 HEADBOARD COMPLETE		1PC			

ITEM: 300525F(B1&B2)

ASSEMBLY INSTRUCTIONS

ASSEMBLY TIPS:

1. Remove hardware from box and sort by size.
2. Please check to see that all hardware and parts are present prior to start of assembly.
3. Please follow attached instructions in the same sequence as numbered to assure fast & easy assembly.







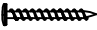


WARNING!

1. Don't attempt to repair or modify parts that are broken or defective. Please contact the store immediately.
2. This product is for home use only and not intended for commercial establishments.

HARDWARE IDENTIFICATION

Z-B2(BOX2)-HARDWARE PACK IS LOCATED IN 300525F(B2)

1	ALLEN WRENCH (5MM-RBW)		1PC	2	BOLT (Ø 5/16 "X32mm-RBW)		24PCS
3	HEADBOARD CORNER BRACKET -RIGHT (200mmX60mmX40mmX2mm-RBW)		2PCS	4	HEADBOARD CORNER BRACKET -LEFT (200mmX60mmX40mmX2mm-RBW)		2PCS
5	LOCK WASHER (Ø 5/16 "-RBW)		24PCS	6	FLAT WASHER (Ø 5/16 "-RBW)		24PCS
7	FLAT HEAD SCREW (m4x30mm-RBW)		8PCS				

NOTE:

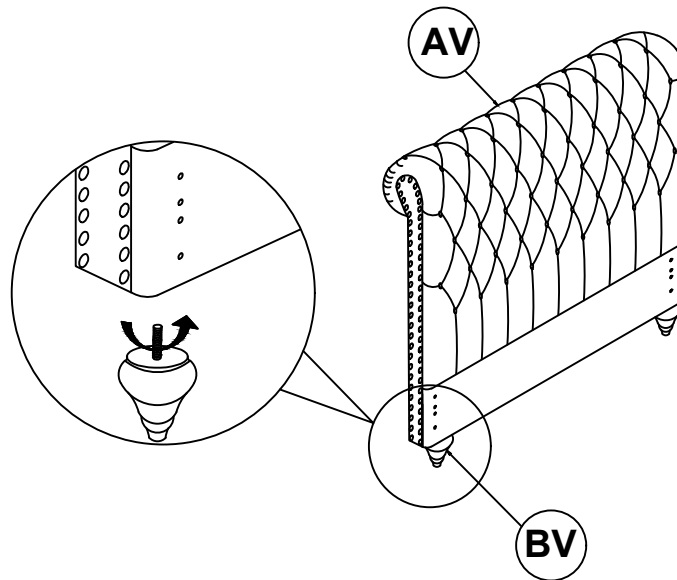
Phillips heshd screw driver is required in the assembly process; however, manufacturer does not provide this item.

ITEM: **300525F(B1&B2)**

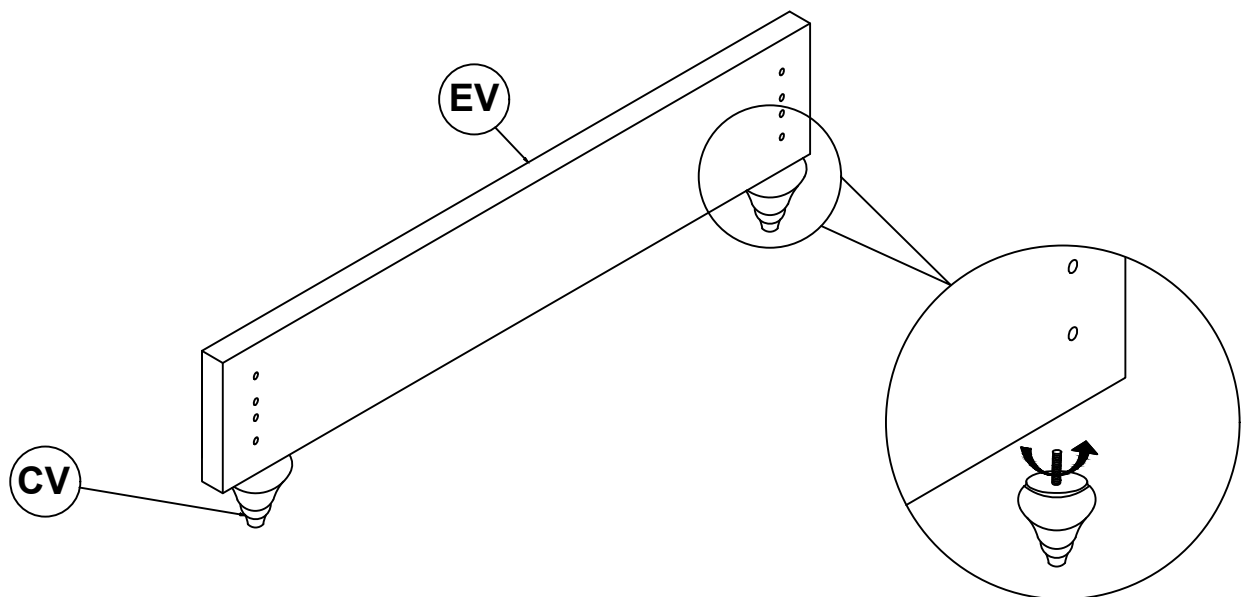
ASSEMBLY INSTRUCTIONS



STEP 1



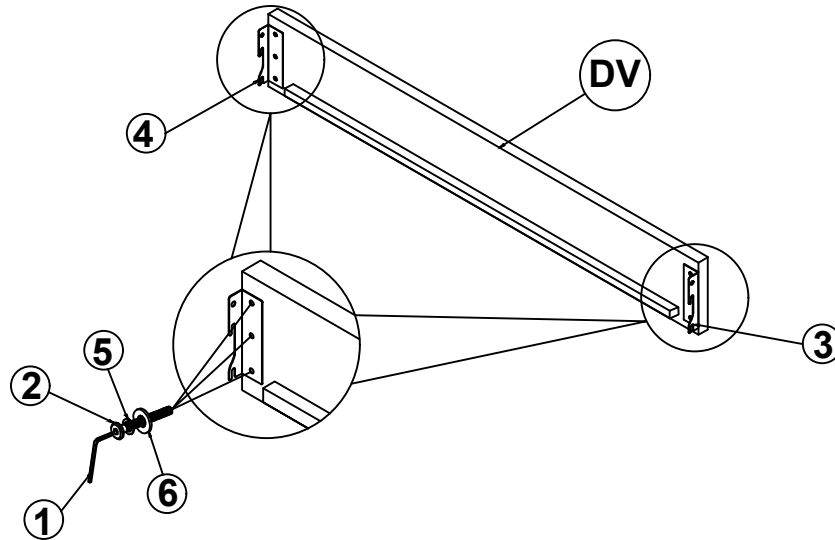
STEP 2



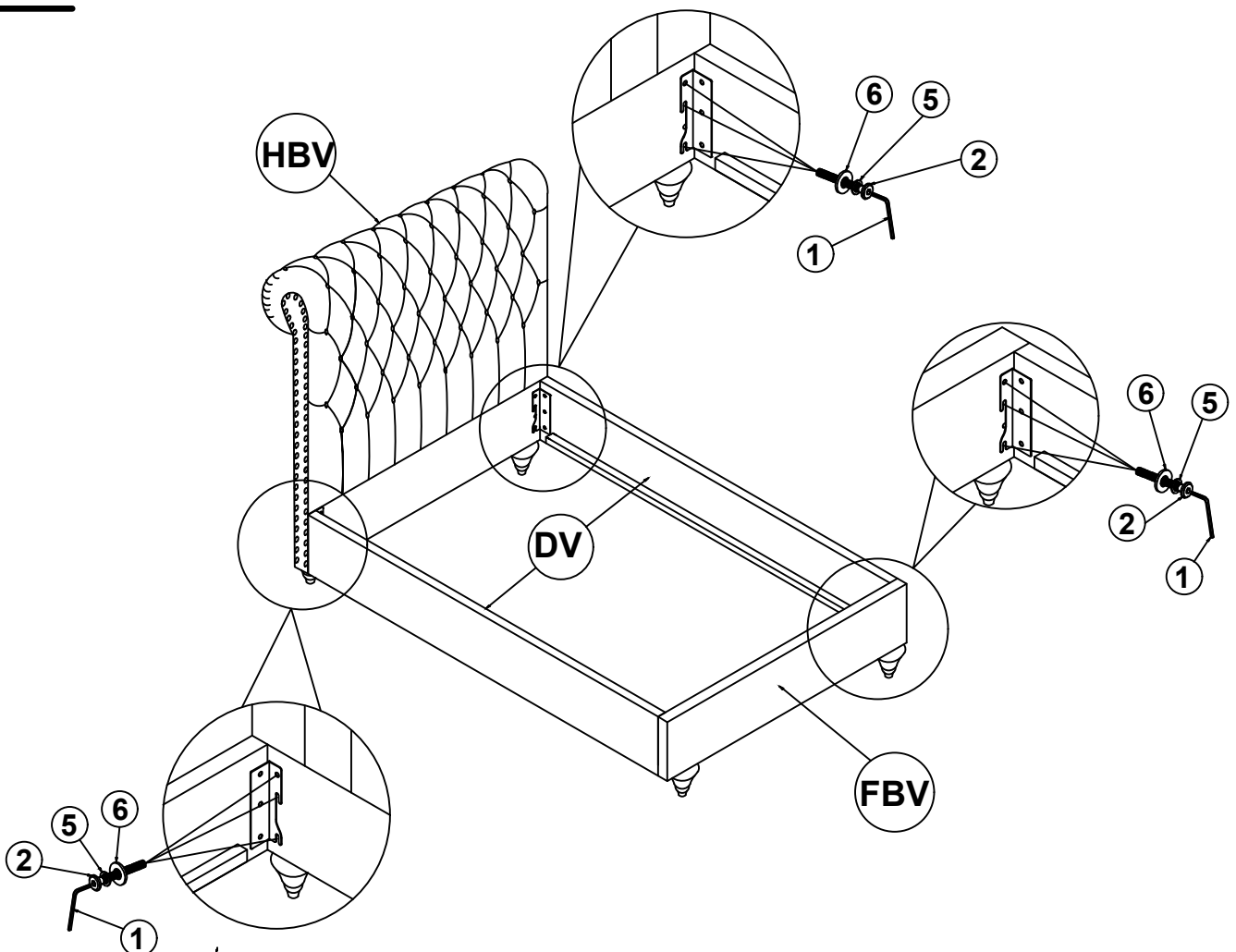
ITEM: 300525F (B1 & B2)

ASSEMBLY INSTRUCTIONS

STEP 3



STEP 4

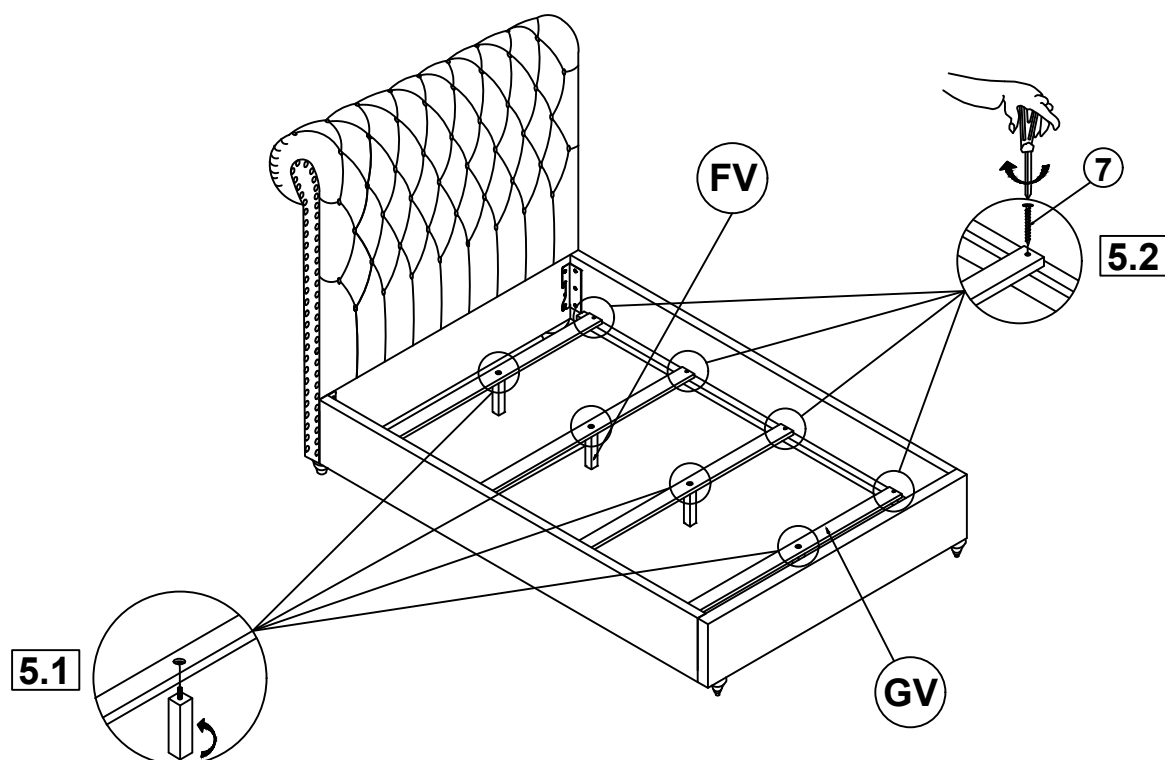


ITEM: **300525F(B1&B2)**

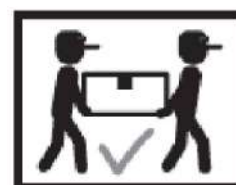
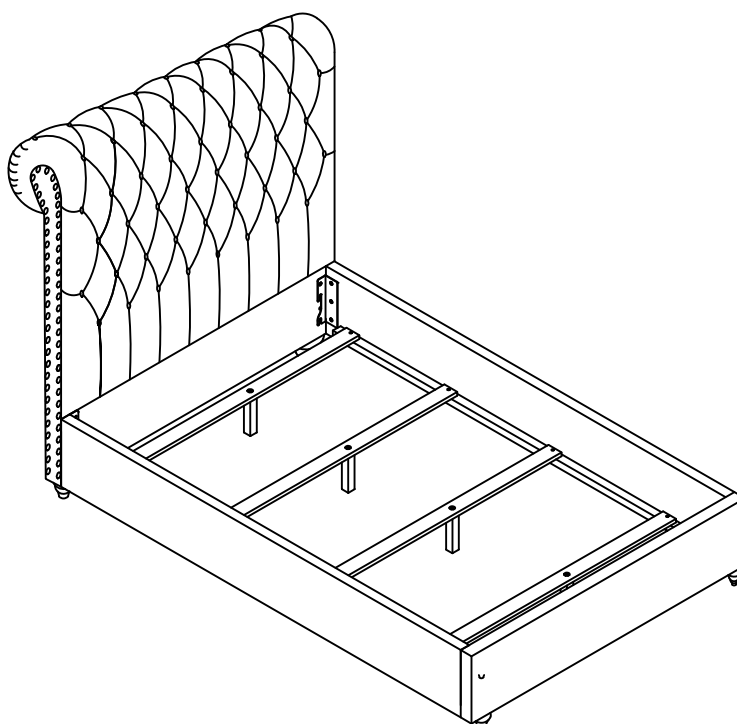
ASSEMBLY INSTRUCTIONS



STEP 5



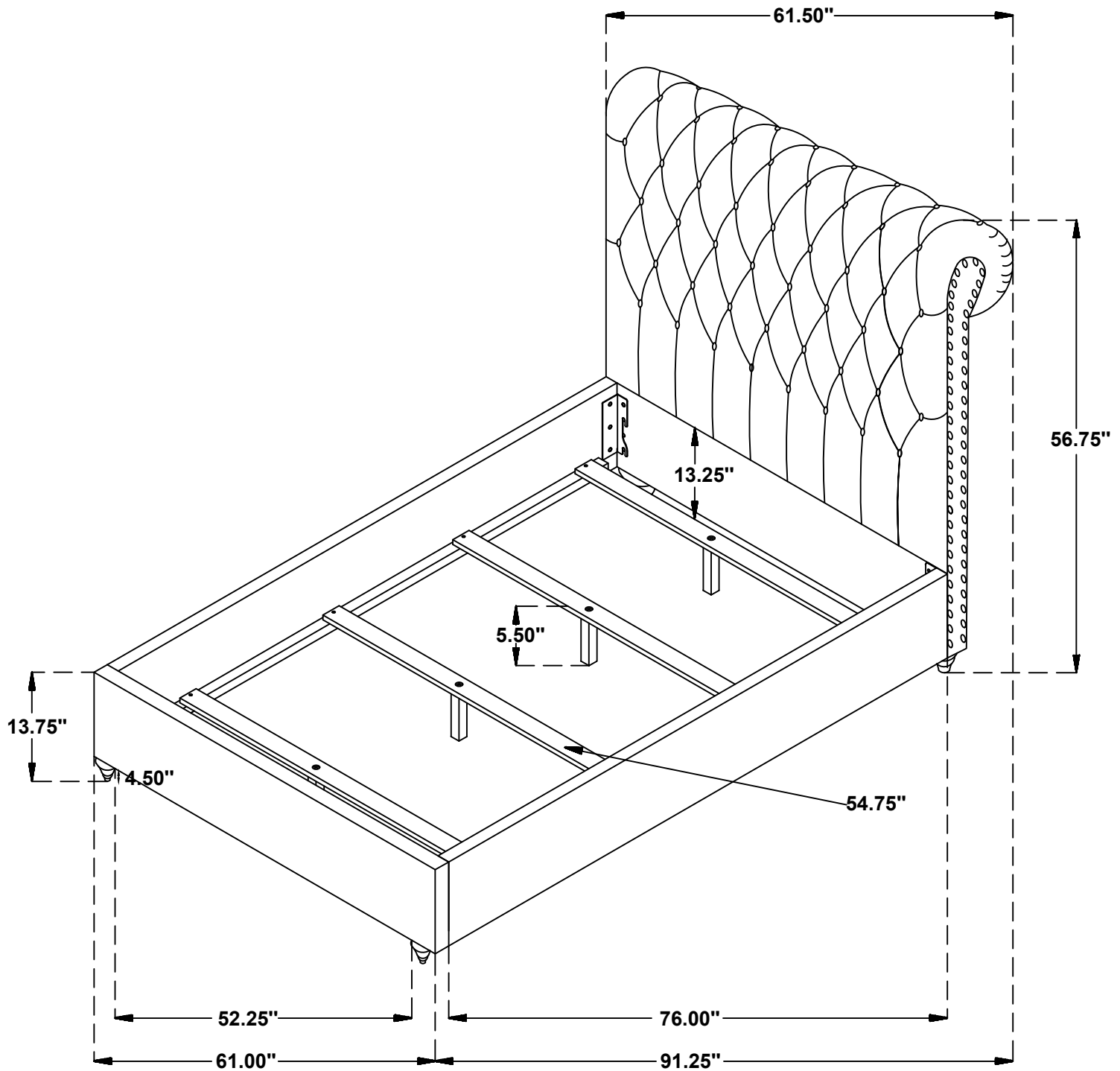
STEP 6
COMPLETE



ITEM: **300525F(B1&B2)**

COASTER[®]
FINE FURNITURE

Inner Size: **55.00"W X 76.00"D**



Note: Dimension tolerance $\pm 5\%$