



ASSEMBLY INSTRUCTIONS

COASTER FINE FURNITURE



Fine Furniture for every stage of life

193742

Dining Chair

REVISION 1: 08/19/2022
REVISION 2: 02/16/2023

ITEM:193742

ASSEMBLY INSTRUCTIONS



ASSEMBLY TIPS:

1. Remove hardware from box and sort by size.
2. Please check to see that all hardware and parts are present prior to start of assembly.
3. Please follow attached instructions in the same sequence as numbered to assure fast & easy assembly.



WARNING

1. Don't attempt to repair or modify parts that are broken or defective. Please contact the store immediately.
2. This product is for home use only and not intend for commercial establishments.



ASSEMBLY TIME

10 MINUTES

PARTS IDENTIFICATION

A SEAT & BACK



1PC

B UPPER LEG FRAME



1PC

C LOWER LEG FRAME



1PC

2-HARDWARE IDENTIFICATION

1 SPRING WASHER



5PCS

1/4"

2 BOLT



5PCS

1/4"x1-2/4"

3 BOLT



1PC

1/4"x2/4"

4 ALLEN KEY



1PC

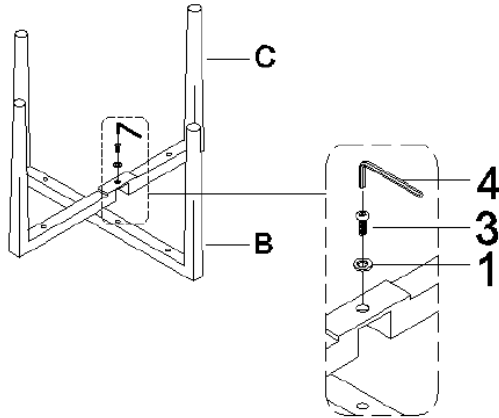
4mm

ITEM: 193742

ASSEMBLY INSTRUCTIONS

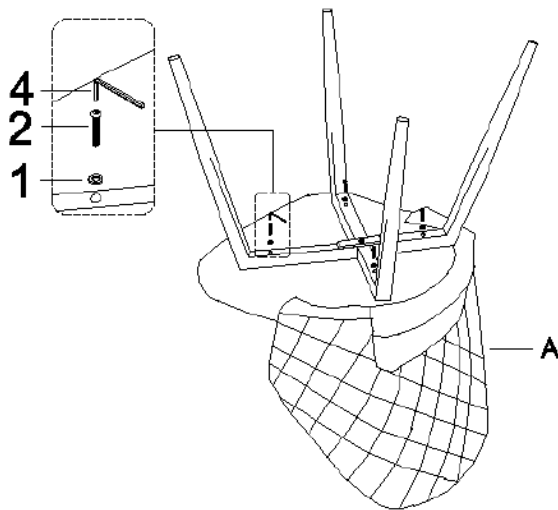


STEP 1



1		1PC
3		1PC
4		1PC

STEP 2



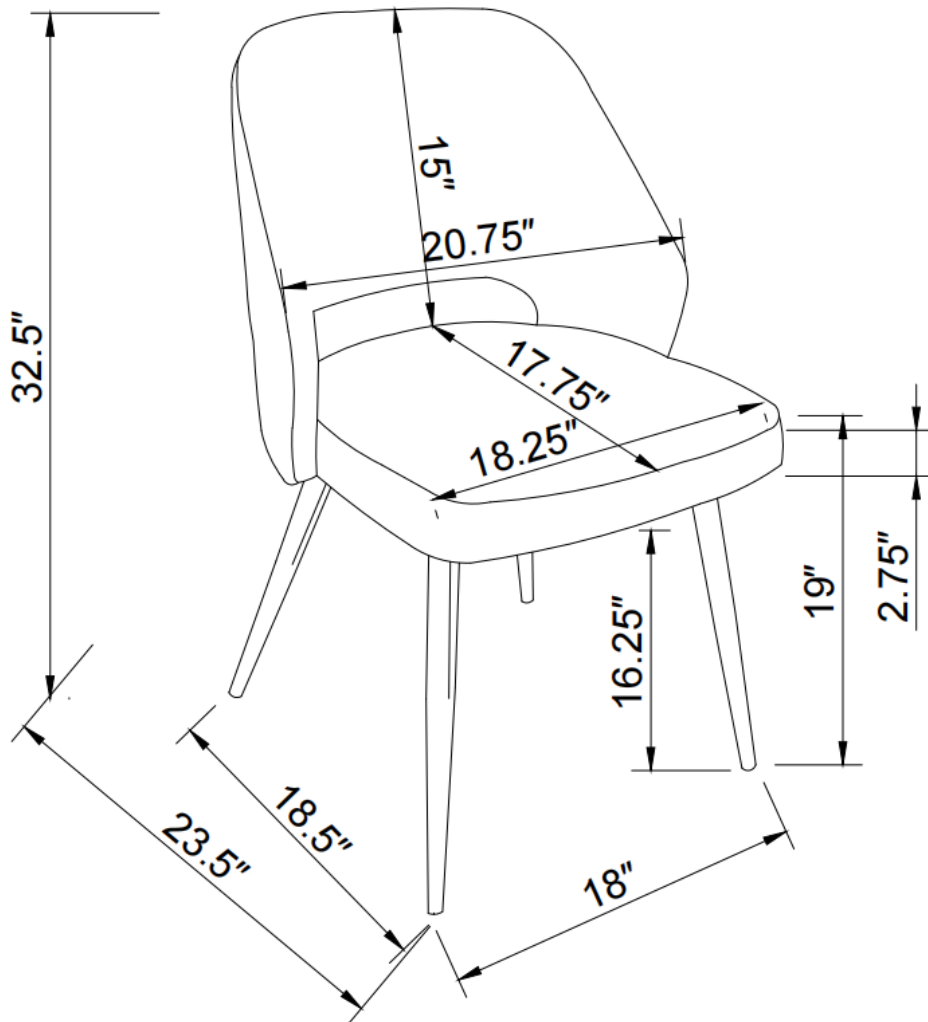
1		4PCS
2		4PCS
4		1PC

STEP 3

COMPLETE



ITEM:193742



Note: Dimension tolerance $\pm 5\%$