



ASSEMBLY INSTRUCTIONS

COASTER FINE FURNITURE



Fine Furniture for every stage of life

193762
Dining Chair

REVISION 1: 08/19/2022
REVISION 2: 02/16/2023

ITEM: **193762**

ASSEMBLY INSTRUCTIONS



ASSEMBLY TIPS:

1. Remove hardware from box and sort by size.
2. Please check to see that all hardware and parts are present prior to start of assembly.
3. Please follow attached instructions in the same sequence as numbered to assure fast & easy assembly.



WARNING

1. Don't attempt to repair or modify parts that are broken or defective. Please contact the store immediately.
2. This product is for home use only and not intend for commercial establishments.



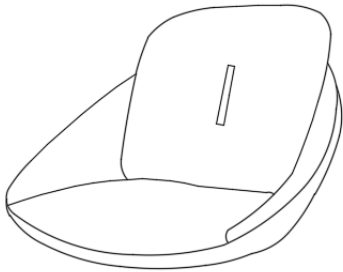
ASSEMBLY TIME

10 MINUTES

PARTS IDENTIFICATION

A SEAT & BACK

1PC



B BASE

1PC



2-HARDWARE IDENTIFICATION

1 BOLT
1/4"x2/4"



4PCS

2 SPRING WASHER
1/4"



4PCS

3 ALLEN KEY
4mm



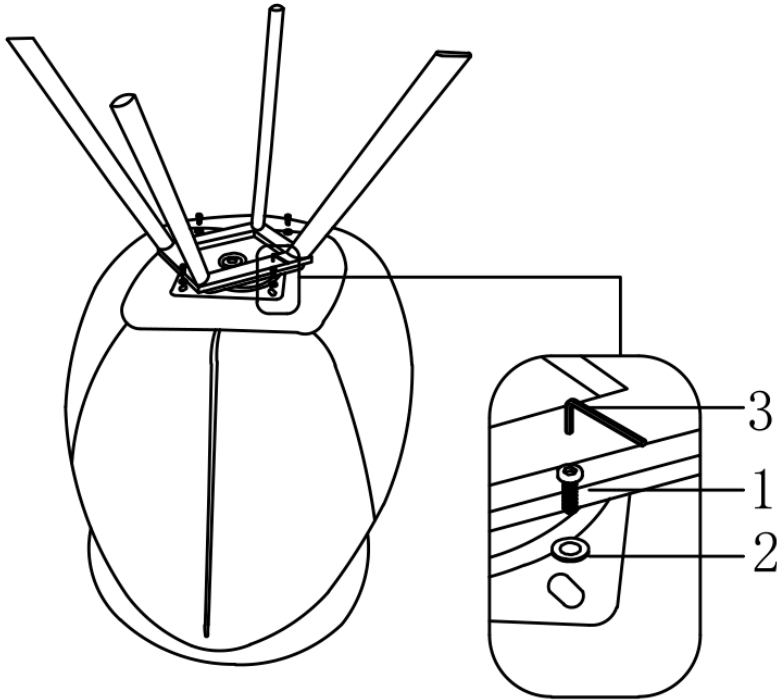
1PC

ITEM: 193762

ASSEMBLY INSTRUCTIONS



STEP 1



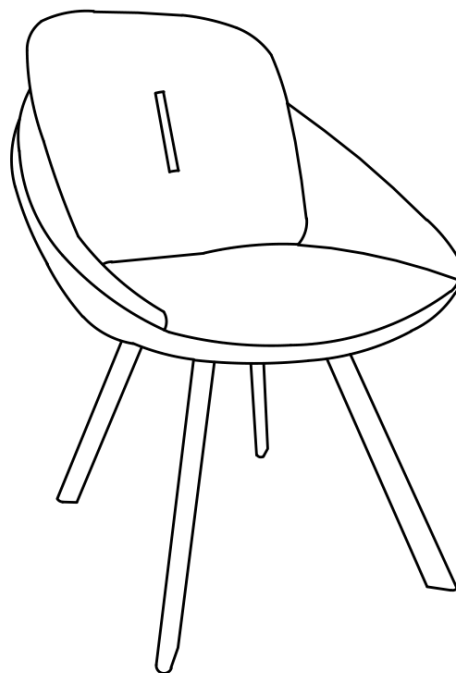
1  4pcs

2  4pcs

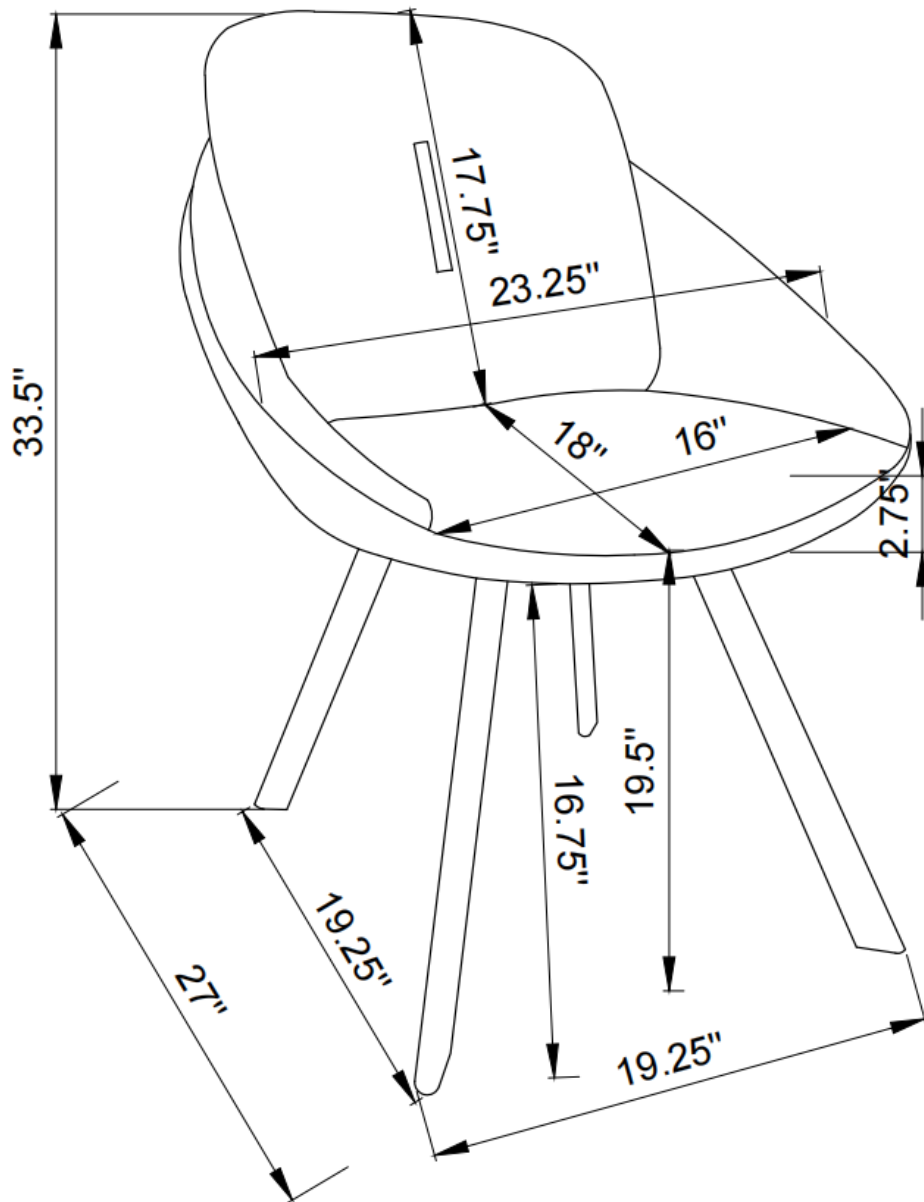
3  1pc

STEP 2

COMPLETE



ITEM:193762



Note: Dimension tolerance $\pm 5\%$