

ASSEMBLY INSTRUCTIONS
COASTER FINE FURNITURE



Fine Furniture for every stage of life

212421F(B1&B2)
Full Bed

ITEM: 212421F (B1 & B2)



ASSEMBLY INSTRUCTIONS

ASSEMBLY TIPS:

1. Remove hardware from box and sort by size.
2. Please check to see that all hardware and parts are present prior to start of assembly.
3. Please follow attached instructions in the same sequence as numbered to assure fast & easy assembly.



WARNING!

1. Don't attempt to repair or modify parts that are broken or defective. Please contact the store immediately.
2. This product is for home use only and not intended for commercial establishments.

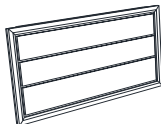
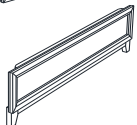
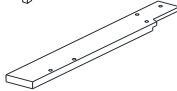


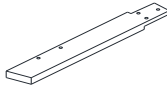
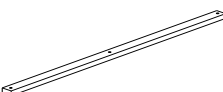

ASSEMBLY TIME

20 MINUTES

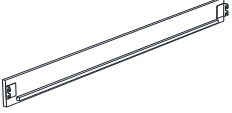

PARTS IDENTIFICATION

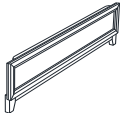
B1 (BOX 1)

A	HEADBOARD PANEL		1PC
B	FOOTBOARD		1PC
C	RIGHT HEADBOARD LEG		1PC

D	LEFT HEADBOARD LEG		1PC
E	BED SLAT		4PCS
F	BED SLAT SUPPORT WITH LEVELER		4PCS

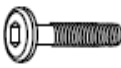


B2 (BOX 2)




G	BED RAIL		2PCS
HB	212421F(B1) FROM BOX 1 HEADBOARD COMPLETE		1PC

B	212421F(B1) FROM BOX 1 FOOTBOARD		1PC
---	----------------------------------	---	-----

HARDWARE IDENTIFICATION

Z-B1 (BOX 1) - HARDWARE PACK IS LOCATED IN 212421F (B1)

1	BOLT (M6 x 30mm - BLK)		6PCS
2	LOCK WASHER (1/4" - BLK)		6PCS
3	FLAT WASHER (1/4" ID x 13mm - BLK)		6PCS

4	SMALL ALLEN WRENCH (M4 x 60mm - BLK)		1PC
5	LARGE ALLEN WRENCH (M5 x 65mm - BLK)		1PC
6	FLAT HEAD SCREW (M4 x 32mm - RBW)		8PCS

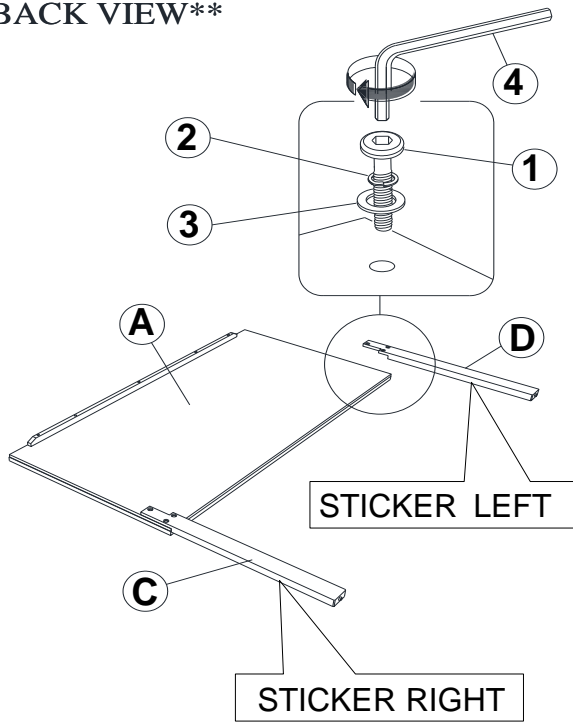
NOTE:

Phillips head screw driver is required in the assembly process; however, manufacturer does not provide this item.

ASSEMBLY INSTRUCTIONS

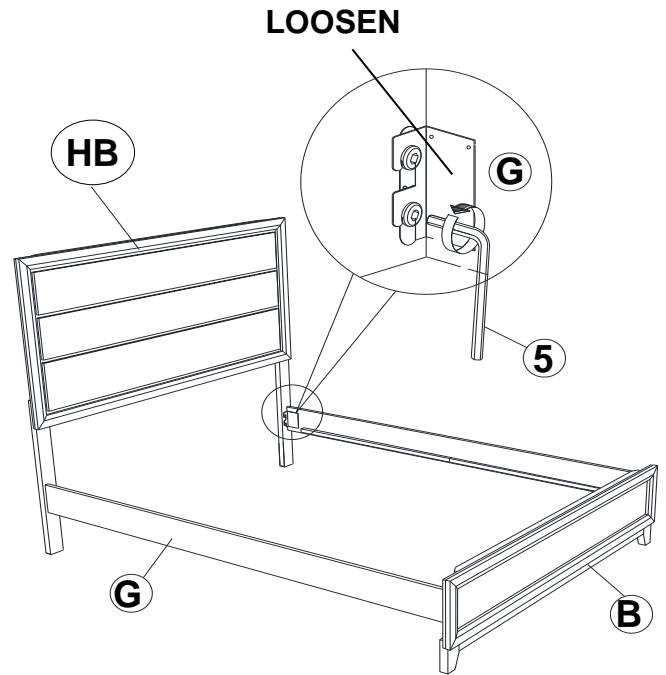
STEP 1

****BACK VIEW****

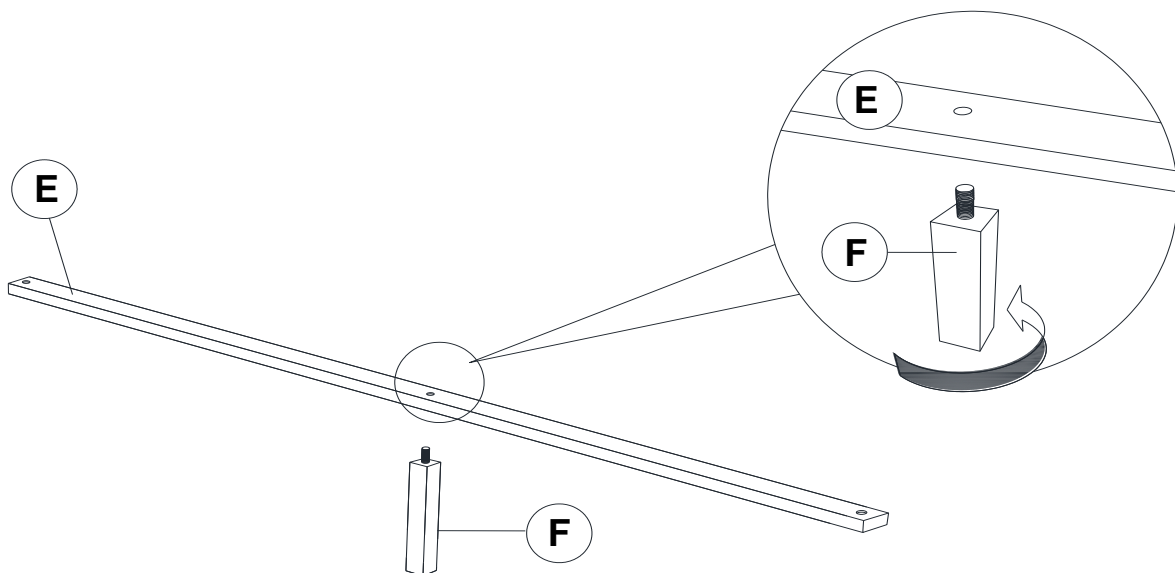


Note: Please take note of the marking sticker (L & R) on the headboard legs.

STEP 2

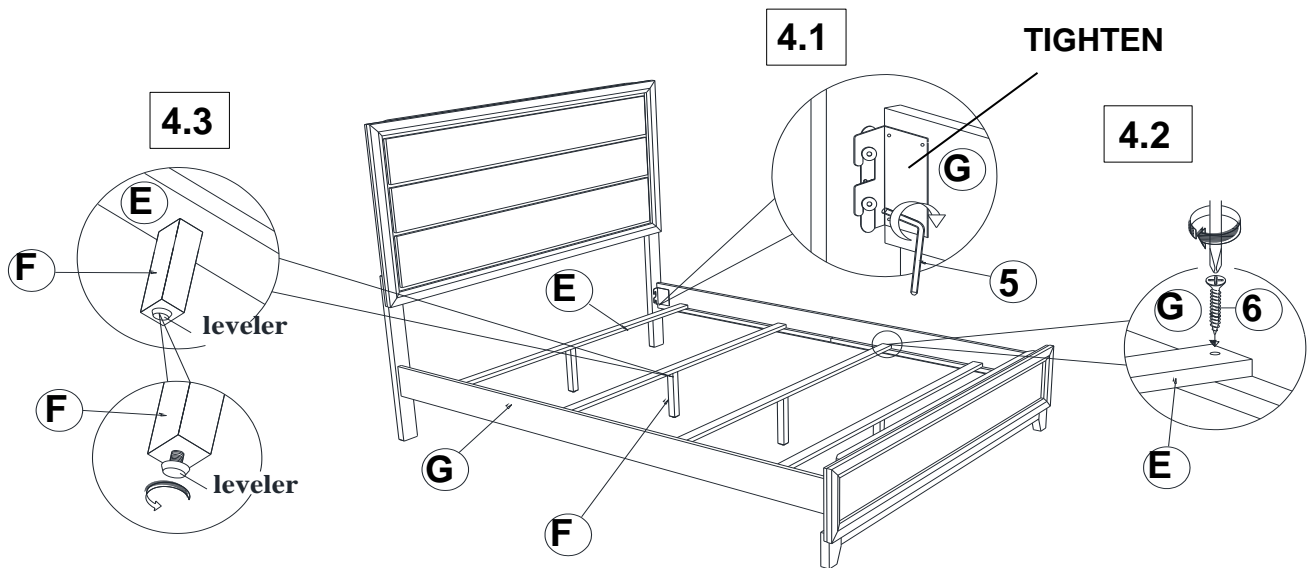


STEP 3

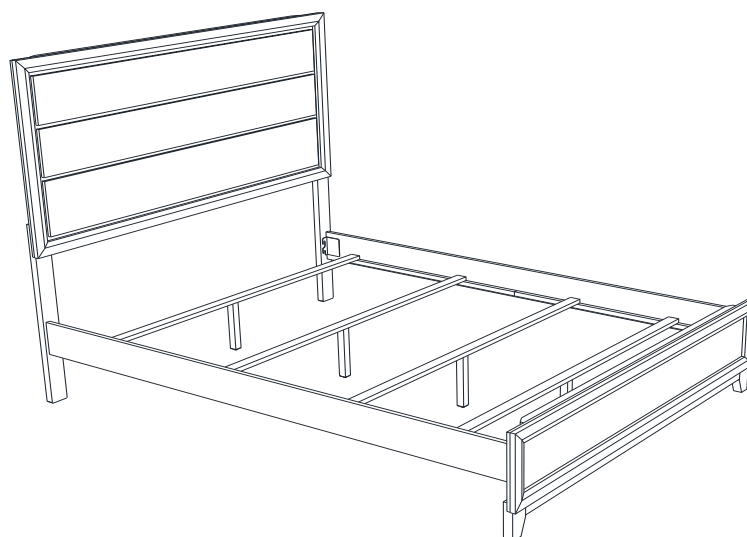


ASSEMBLY INSTRUCTIONS

STEP 4



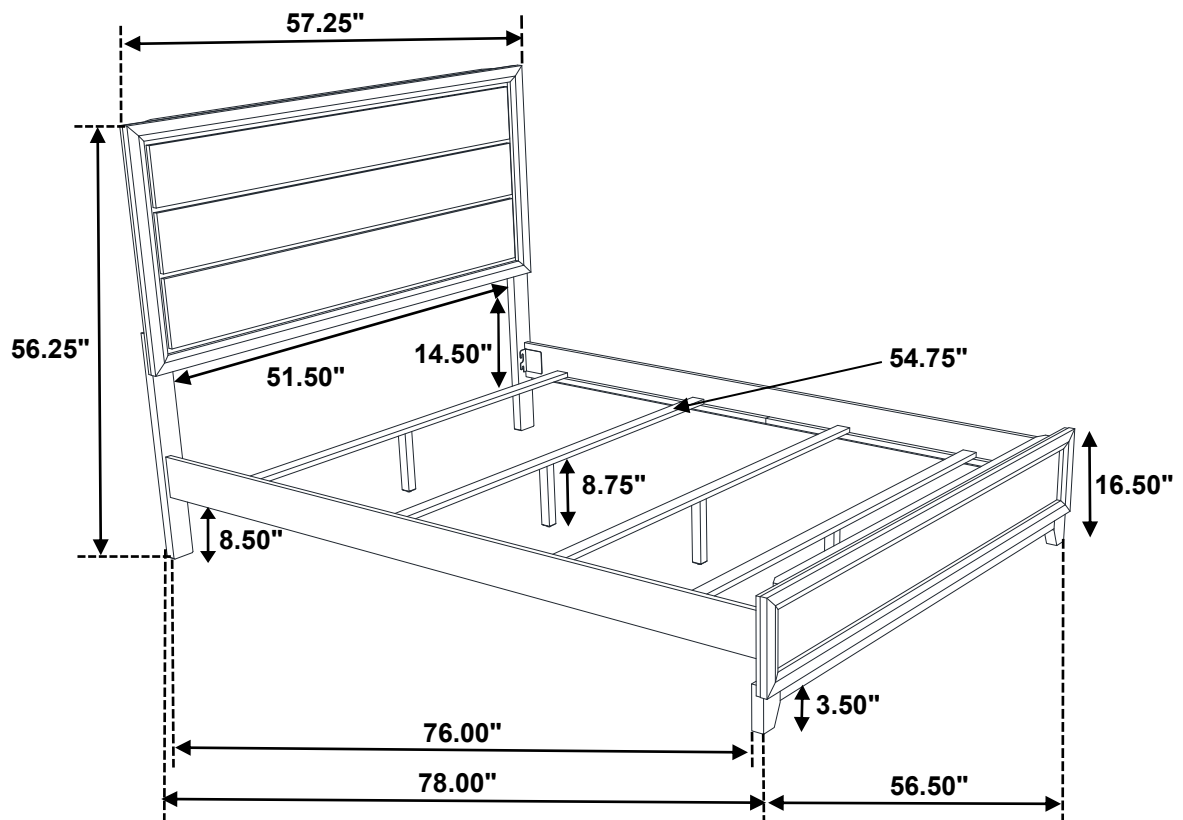
STEP 5
COMPLETE



ITEM: 212421F(B1&B2)



Inner Size : 54.75"W X 76.00"D



Note : Dimension tolerance $\pm 5\%$