



*ASSEMBLY INSTRUCTIONS*  
*COASTER FINE FURNITURE*



*Fine Furniture for every stage of life*

**552003**  
**CHAIR**

ITEM: **552003**



## ASSEMBLY INSTRUCTIONS

### ASSEMBLY TIPS:

1. Remove hardware from box and sort by size
2. Please check to see that all hardware and parts are present prior to start of assembly.
3. Please follow attached instruction in the same sequence as numbered to assure fast & easy assembly.



#### Warning!

1. Don't attempt to repair or modify parts that are broken or defective. Please contact the store immediately.
2. This product is for home use only and not intended for commercial establishment


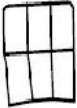







ASSEMBLY TIME

**15 MINUTES**

## PARTS IDENTIFICATION:

## Z HARDWARE PACKAGE

<b>A</b>		<b>BASE 1PC</b>
<b>B</b>		<b>BACK CUSHION 1PC</b>
<b>C</b>		<b>LEG 4PCS</b>

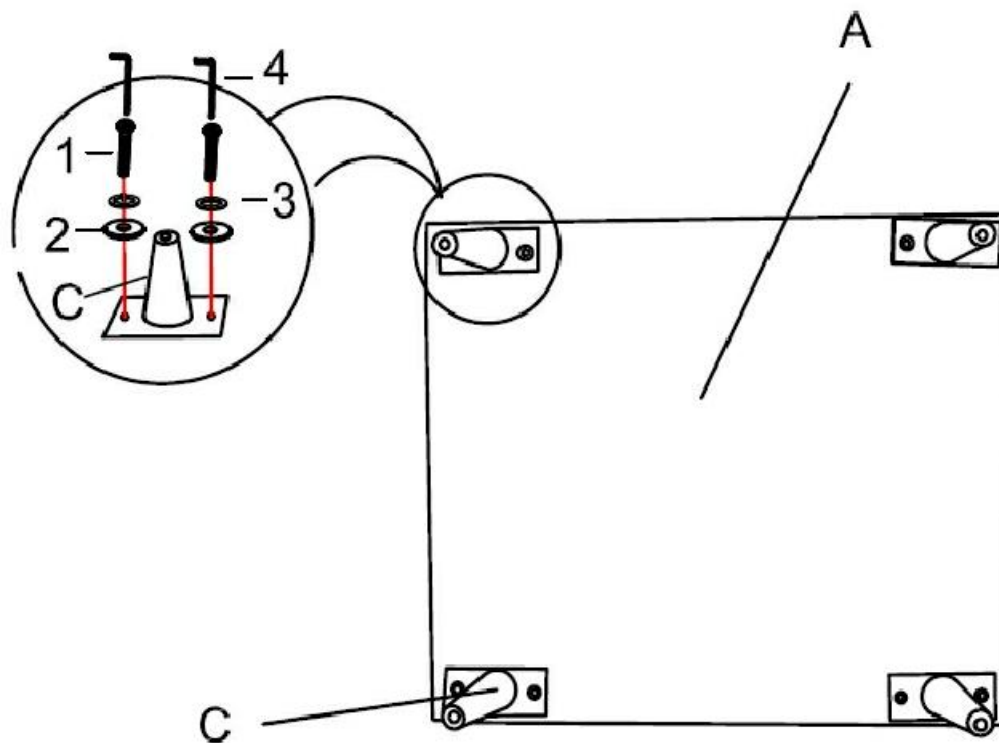
NO	DESCRIPTION	FIGURE	QTY
1	<b>BOLT (M8*35mm)</b>		<b>8PCS</b>
2	<b>FLAT WASHER (M8)</b>		<b>8PCS</b>
3	<b>SPRING WASHER (M8)</b>		<b>8PCS</b>
4	<b>ALLEN KEY (M8)</b>		<b>1PC</b>

ITEM: **552003**

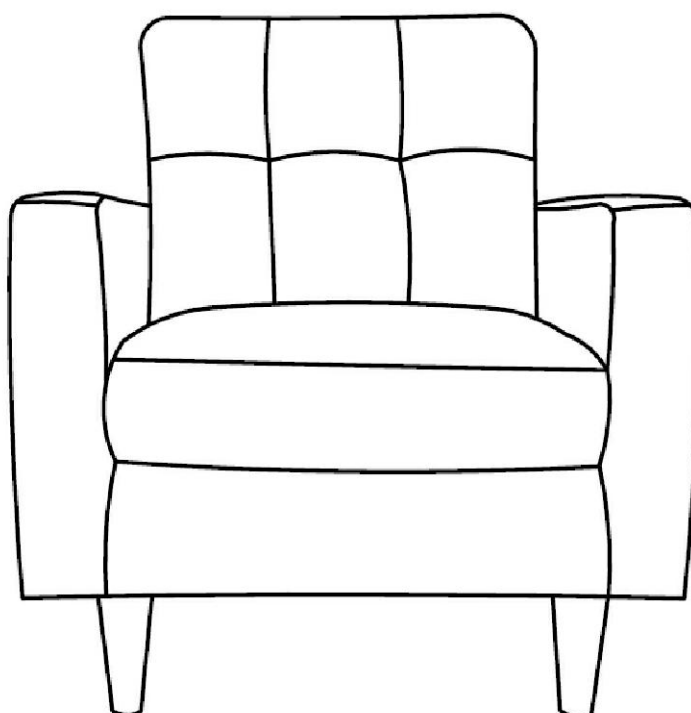


## ASSEMBLY INSTRUCTIONS

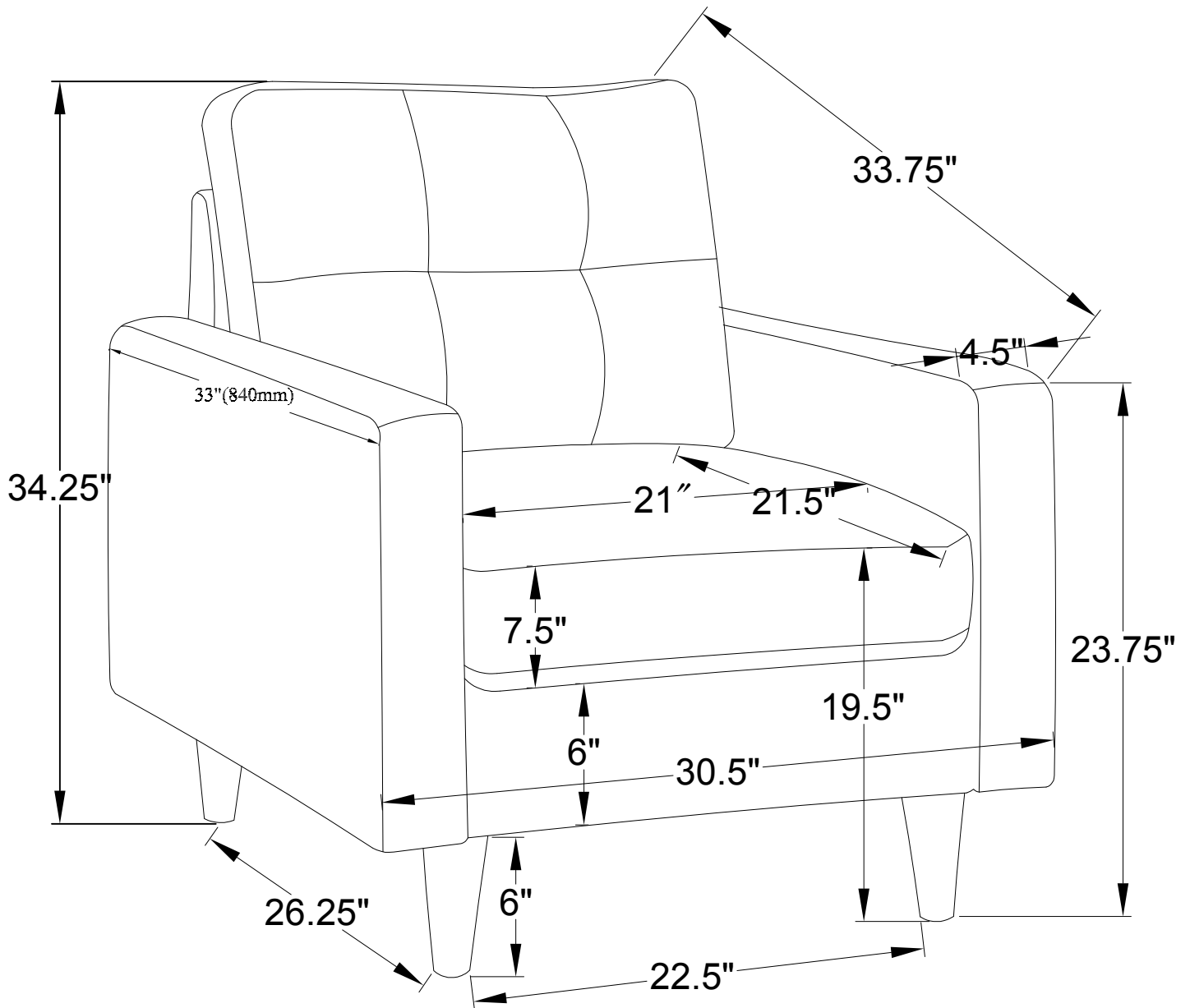
### STEP 1



### STEP 2



# ITEM NO: 552003



Note: Dimension tolerance  $\pm 5\%$