



*ASSEMBLY INSTRUCTIONS*  
*COASTER FINE FURNITURE*



*Fine Furniture for every stage of life*

**107891**  
***Dining Table***

REVISION 0 : 05/16/2019  
REVISION 1 : 09/27/2022  
REVISION 2 : 02/14/2023  
REVISION 2 : 03/14/2023

# ITEM: 107891 (B1-B3)



## ASSEMBLY INSTRUCTIONS

### ASSEMBLY TIPS:

1. Remove hardware from box and sort by size.
2. Please check to see that all hardware and parts are present prior to start of assembly.
3. Please follow attached instructions in the same sequence as numbered to assure fast & easy assembly.



### WARNING!

1. Don't attempt to repair or modify parts that are broken or defective. Please contact the store immediately.
2. This product is for home use only and not intended for commercial establishments.



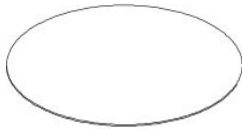
ASSEMBLY TIME

30 MINUTES

## PARTS IDENTIFICATION

### B1 ( BOX 1)

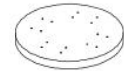
A MARBLE TOP



1PC

### B3 ( BOX 3)

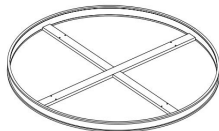
D BASE



1PC

### B2 ( BOX 2)

B TOP FRAME



1PC

C PEDESTAL



4PCS

### NOTE:

Phillips head screw driver is required in the assembly process; however, manufacturer does not provide this item.

## ASSEMBLY INSTRUCTIONS

### ASSEMBLY TIPS:

1. Remove hardware from box and sort by size.
2. Please check to see that all hardware and parts are present prior to start of assembly.
3. Please follow attached instructions in the same sequence as numbered to assure fast & easy assembly.



### WARNING!

1. Don't attempt to repair or modify parts that are broken or defective. Please contact the store immediately.
2. This product is for home use only and not intended for commercial establishments.

## HARDWARE IDENTIFICATION

### Z-B2 (BOX 2) - HARDWARE PACK IS LOCATED IN 107872N (B2)

1	FLAT WASHER D20*2		20PCS
2	SHORT BOLT (M8*50mm)		20PCS
3	ALLEN WRENCH		1PC
4	GLASS REST		8PCS

Hardware pack is located in 107891 B2

### NOTE:

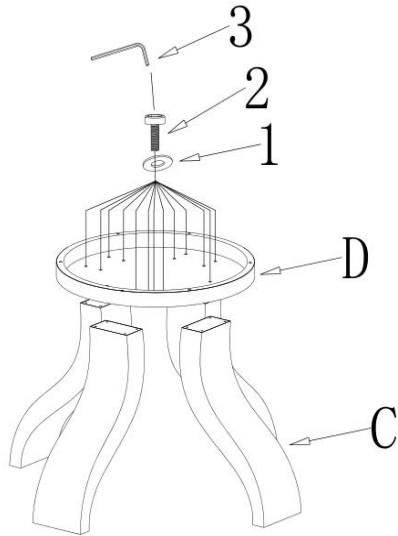
Phillips head screw driver is required in the assembly process; however, manufacturer does not provide this item.

ITEM:107891 (B1-B3)

## ASSEMBLY INSTRUCTIONS

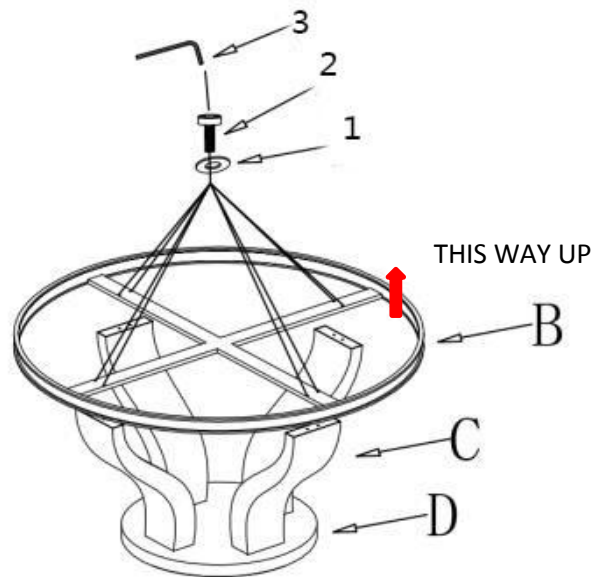


### STEP 1



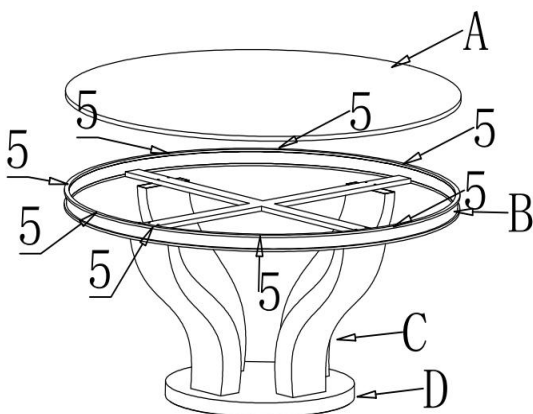
When assembling parts "C" and "D",  
make sure not to fully tighten the screws

### STEP 2

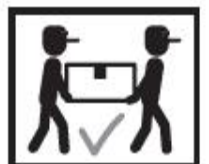
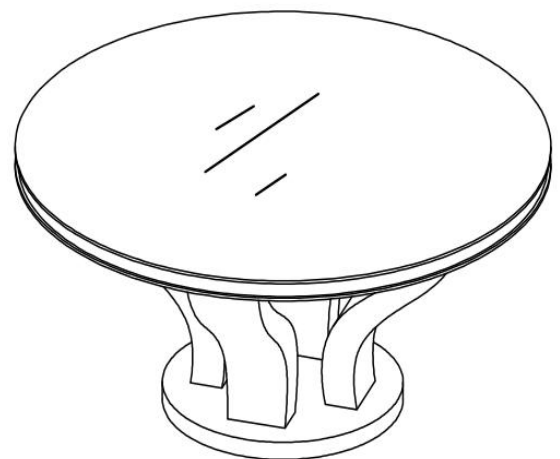


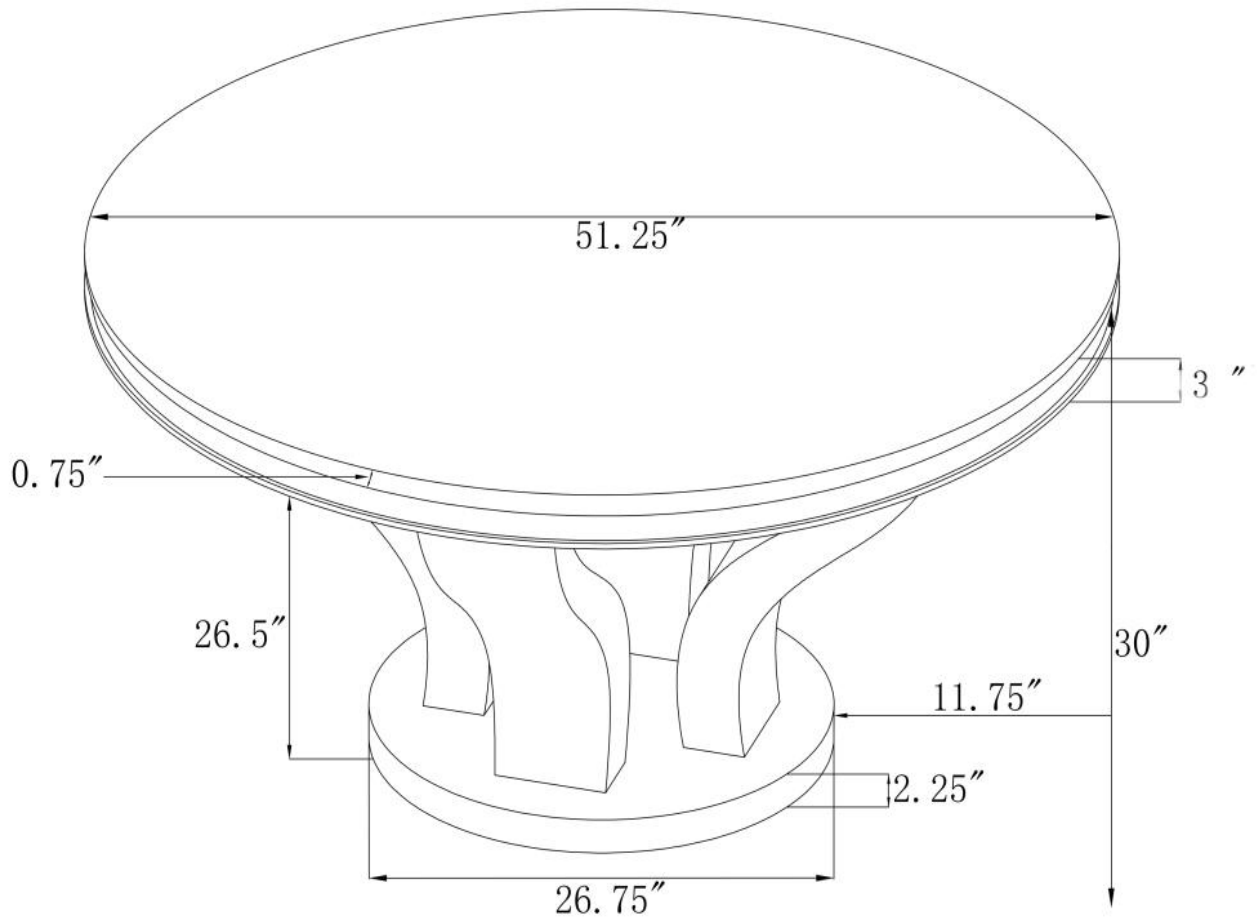
After assembling TOP FRAME "B" with parts "C" completely,  
also tighten the screws on part "D"

### STEP 3



### STEP 4





Note : Dimension tolerance  $\pm 5\%$