

ASSEMBLY INSTRUCTIONS
COASTER FINE FURNITURE



Fine Furniture for every stage of life

223141T
Twin Bed

ITEM: **223141T**



ASSEMBLY INSTRUCTIONS

ASSEMBLY TIPS:

1. Remove hardware from box and sort by size.
2. Please check to see that all hardware and parts are present prior to start of assembly.
3. Please follow attached instructions in the same sequence as numbered to assure fast & easy assembly.



WARNING!

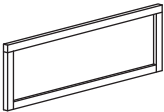

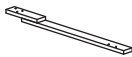

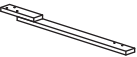
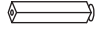

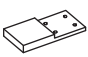

1. Don't attempt to repair or modify parts that are broken or defective. Please contact the store immediately.
2. This product is for home use only and not intended for commercial establishments.



ASSEMBLY TIME

30 MINUTES

PARTS IDENTIFICATION

A	HEADBOARD PANEL		1PC	F	BED RAIL (WITH 'F' LABEL)		2PCS
B	LEFT HEADBOARD LEG (WITH "L" LABEL)		1PC	G	BED SLAT		4PCS
C	RIGHT HEADBOARD LEG (WITH "R" LABEL)		1PC	H	BED SLAT SUPPORT WITH LEVELER		4PCS
D	FOOTBOARD		1PC	I	BED RAIL SUPPORT LEG		2PCS
E	BED RAIL (WITH 'E' LABEL)		2PCS				

ASSEMBLY INSTRUCTIONS

ASSEMBLY TIPS:

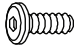



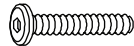

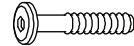

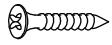
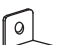
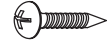
1. Remove hardware from box and sort by size.
2. Please check to see that all hardware and parts are present prior to start of assembly.
3. Please follow attached instructions in the same sequence as numbered to assure fast & easy assembly.



WARNING!

1. Don't attempt to repair or modify parts that are broken or defective. Please contact the store immediately.
2. This product is for home use only and not intended for commercial establishments.

HARDWARE IDENTIFICATION

1	BOLT 1 (M8 x 20MM - RBW)		8PCS	7	SMALL ALLEN WRENCH (M4 x 65MM - BLK)		1PC
2	BOLT 2 (M8 x 25MM - RBW)		8PCS	8	BIG ALLEN WRENCH (M5 x 65MM - BLK)		1PC
3	BOLT 3 (M8 x 35MM - RBW)		6PCS	9	LOCK WASHER (5/16" x 14 Ø - RBW)		14PCS
4	BOLT 4 (M6 x 35MM - RBW)		4PCS	10	FLAT WASHER (5/16" X 22 Ø - RBW)		14PCS
5	FLAT HEAD SCREW (M4 x 32MM - RBW)		8PCS	11	METAL BRACKET (1 x 18 x 20mm - BLK)		2PCS
6	PAN HEAD SCREW (M4 x 16MM - BLK)		4PCS				

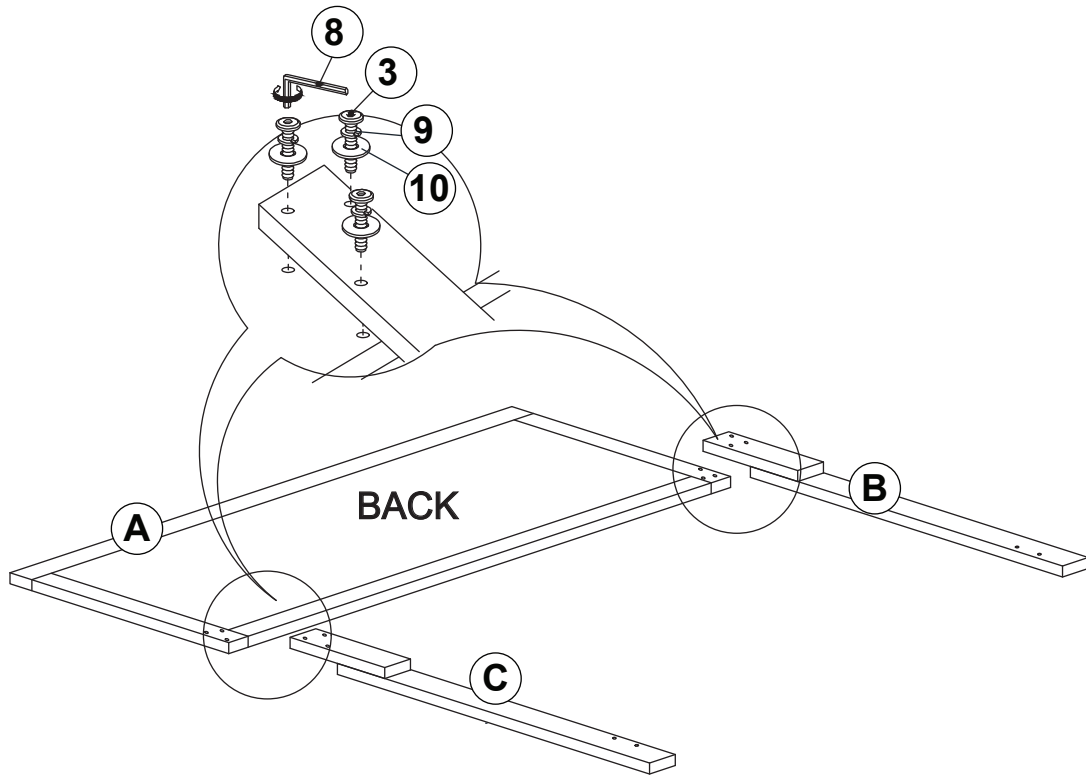
NOTE:

Phillips head screw driver is required in the assembly process; however, manufacturer does not provided this item.

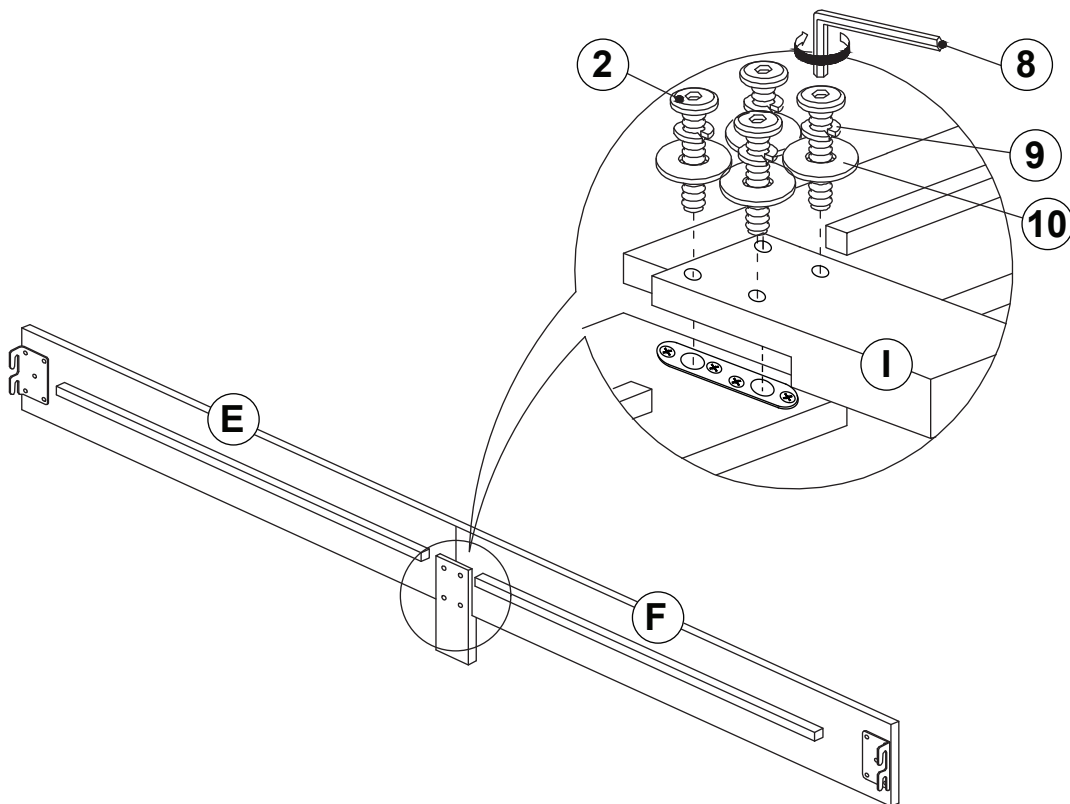
ITEM: **223141T**

ASSEMBLY INSTRUCTIONS

STEP 1



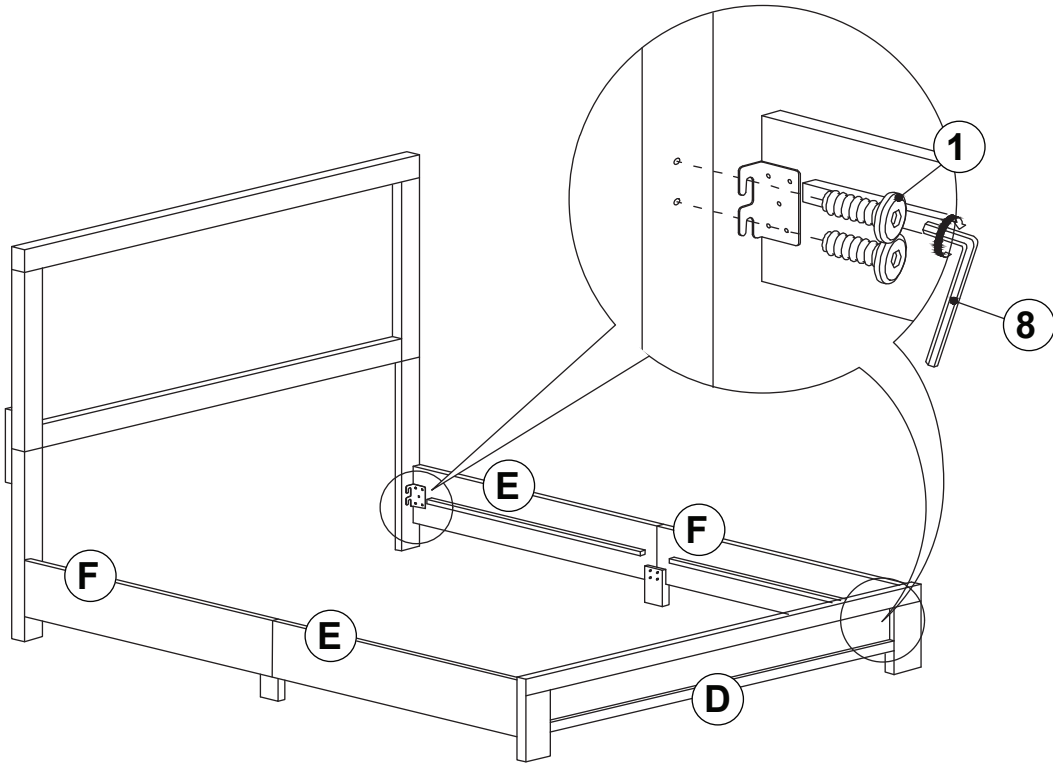
STEP 2



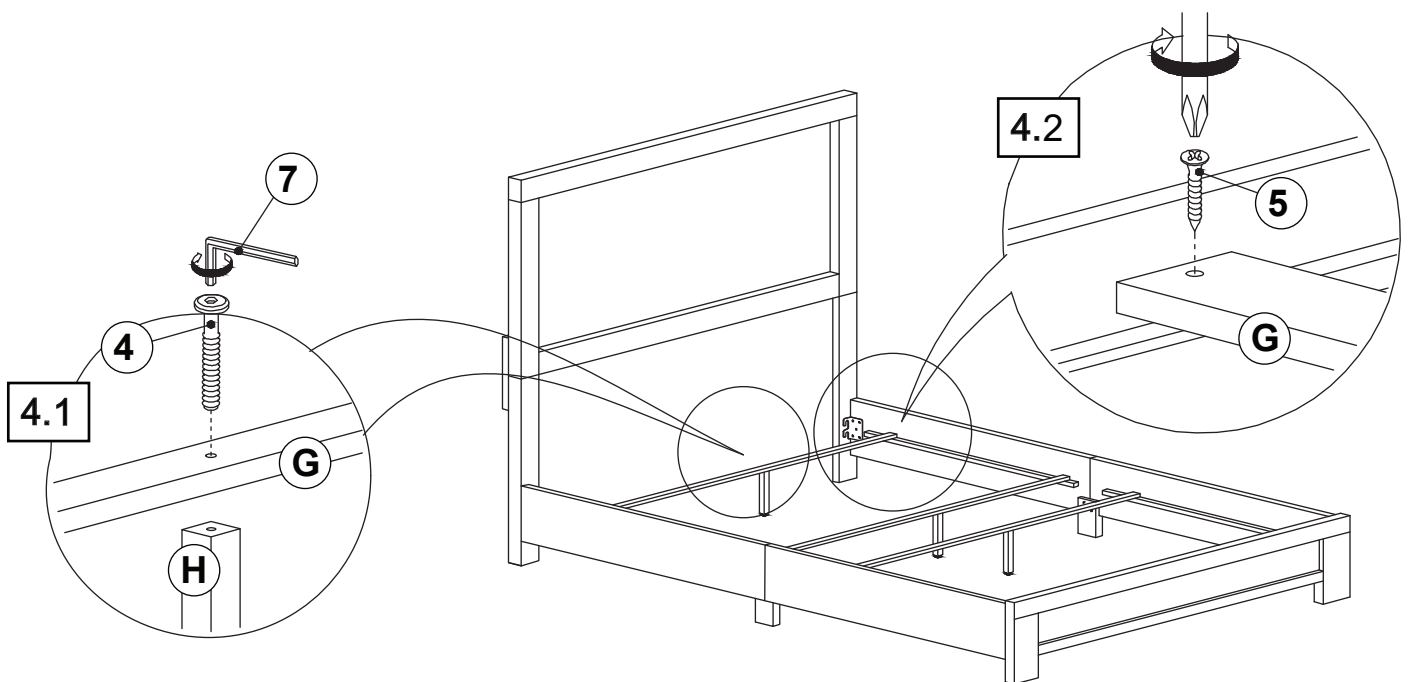
ITEM: **223141T**

ASSEMBLY INSTRUCTIONS

STEP 3



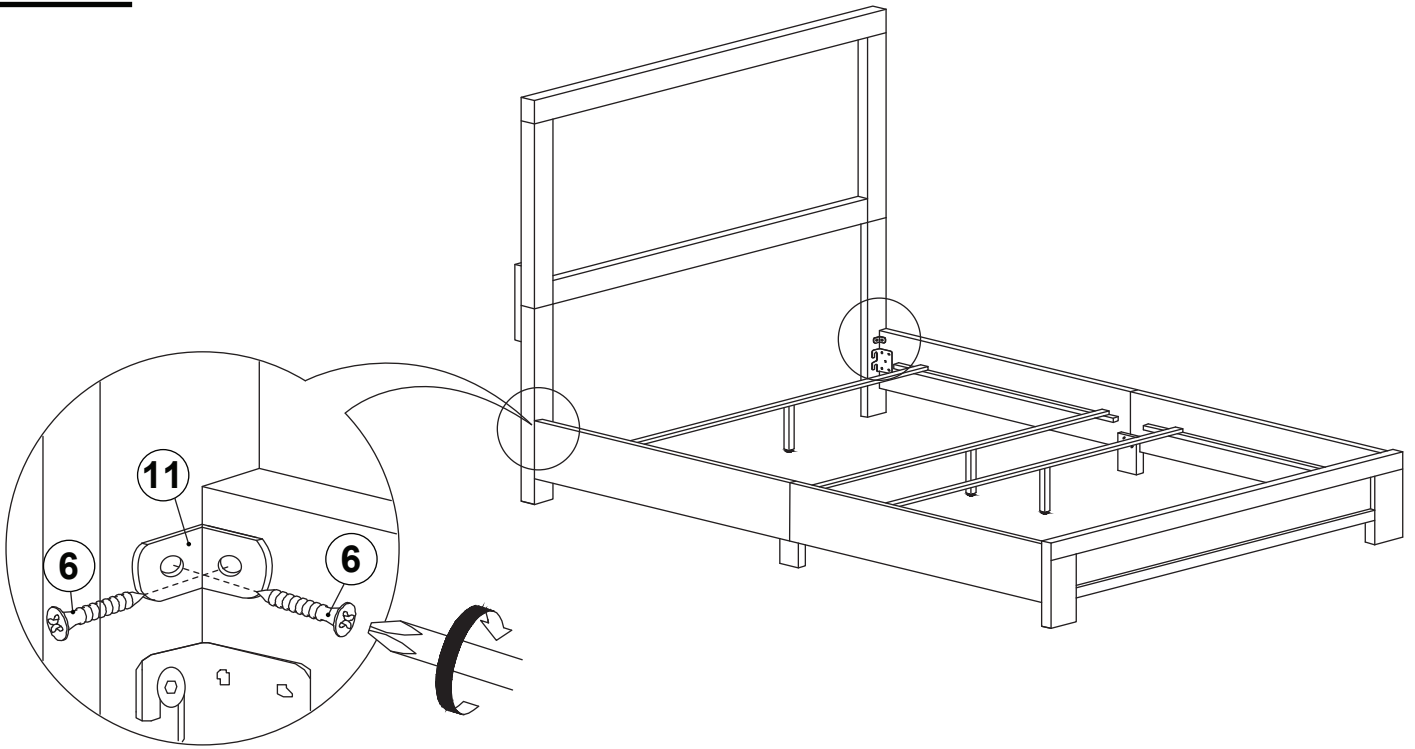
STEP 4



ITEM: **223141T**

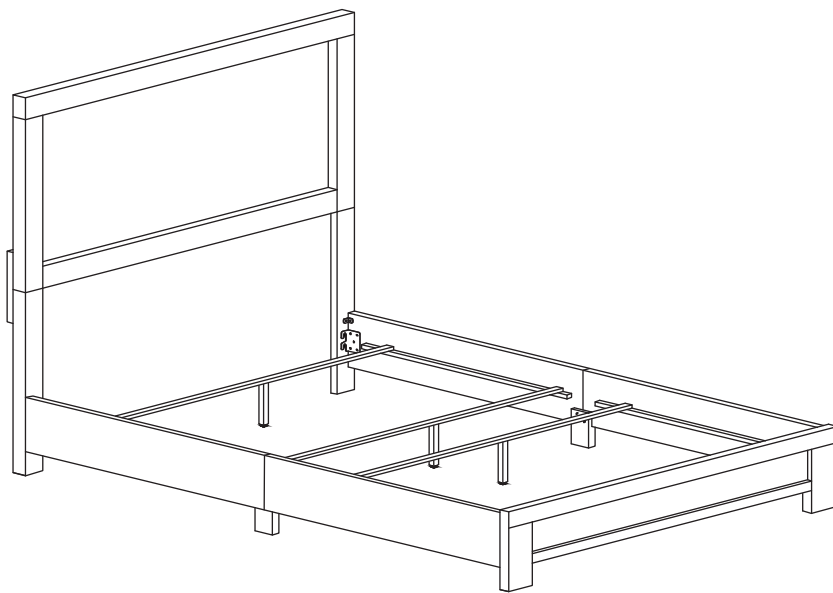
ASSEMBLY INSTRUCTIONS

STEP 5



STEP 6

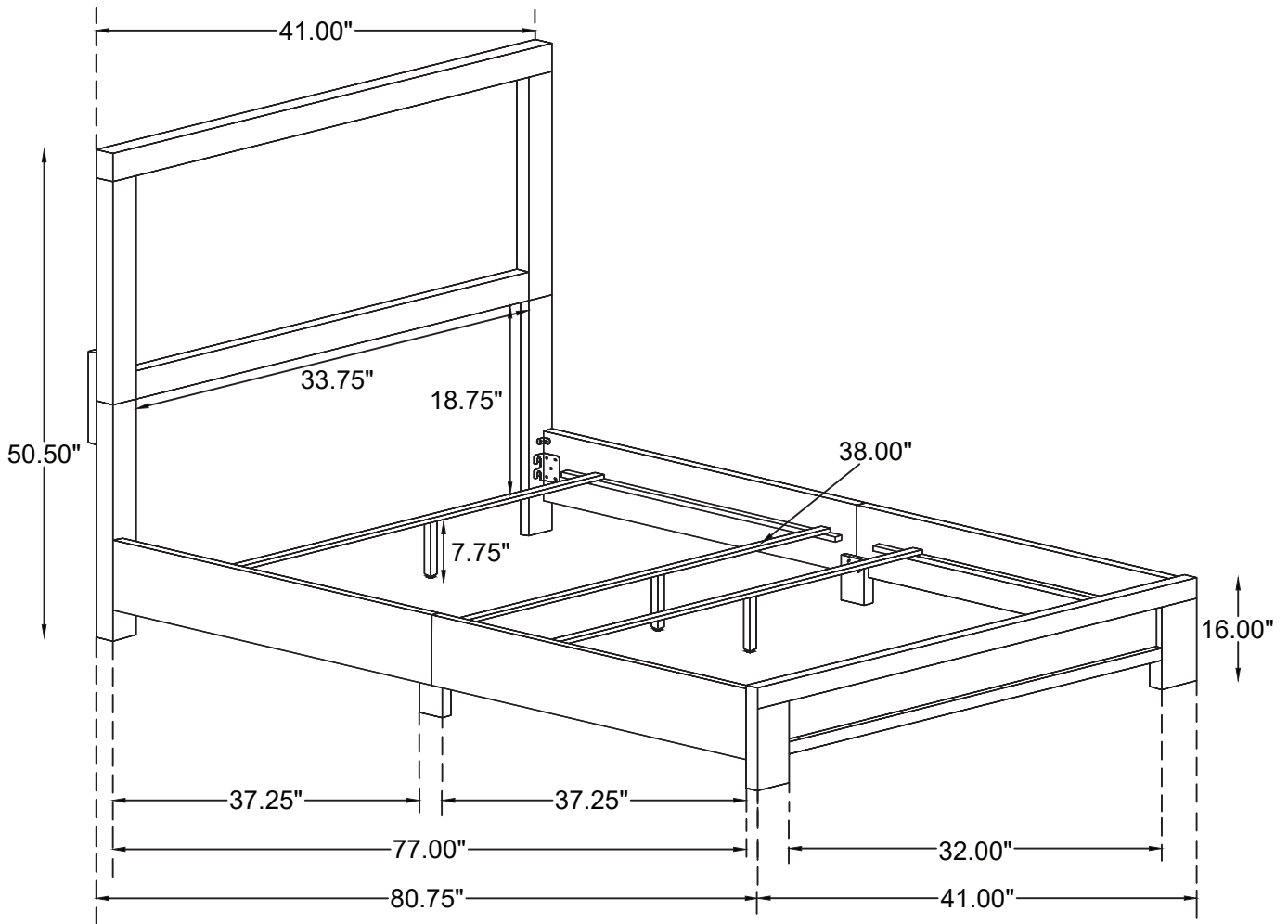
COMPLETE



ITEM: **223141T**



Inner Size : 39.50"W x 77.00"D



Note : Dimension tolerance \pm 5%