

ASSEMBLY INSTRUCTIONS
COASTER FINE FURNITURE



Fine Furniture for every stage of life

182861
Bar Table

ITEM: 182861



ASSEMBLY INSTRUCTIONS

ASSEMBLY TIPS:

1. Remove hardware from box and sort by size.
2. Please check to see that all hardware and parts are present prior to start of assembly.
3. Please follow attached instructions in the same sequence as numbered to assure fast & easy assembly.



WARNING !

1. Don't attempt to repair or modify parts that are broken or defective. Please contact the store immediately.
2. This product is for home use only and not intended for commercial establishment.

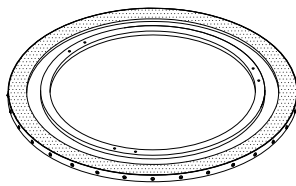


ASSEMBLY TIME

15 MINUTE

PARTS IDENTIFICATION

A TOP



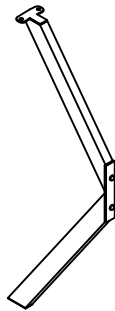
1PC

C LEG CONNECTOR



1PC

B LEG



3PCS

D LEG CONNECTOR CAP



2PCS

HARDWARE IDENTIFICATION

1

BOLT
(1/4"x1/2" - BLK)



6PCS

4

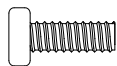
WASHER
(ϕ 18mm - BLK)



2PCS

2

BOLT
(5/16"x5/8" - BLK)



2PCS

5

ALLEN KEY
(4x22X60mm - BLK)



1PC

3

WASHER
(ϕ 16mm - BLK)



6PCS

6

ALLEN KEY
(5x22X60mm - BLK)



1PC

NOTE:

Phillips head screw driver is required in the assembly process; however, manufacturer does not provide this item.




ITEM: **182861**

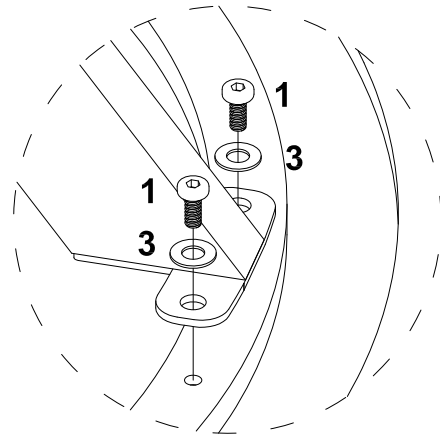
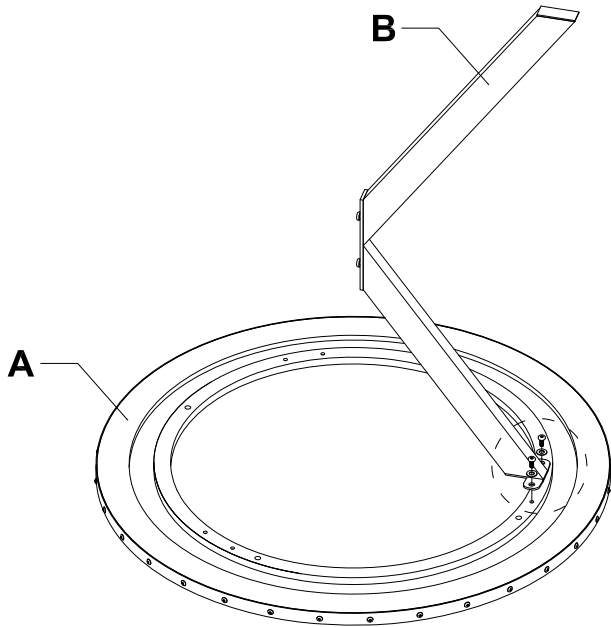


ASSEMBLY INSTRUCTIONS

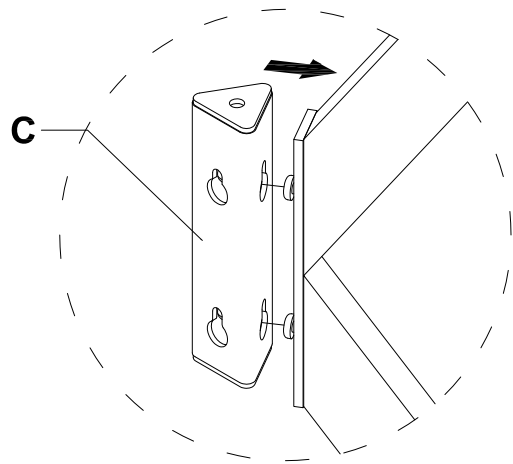
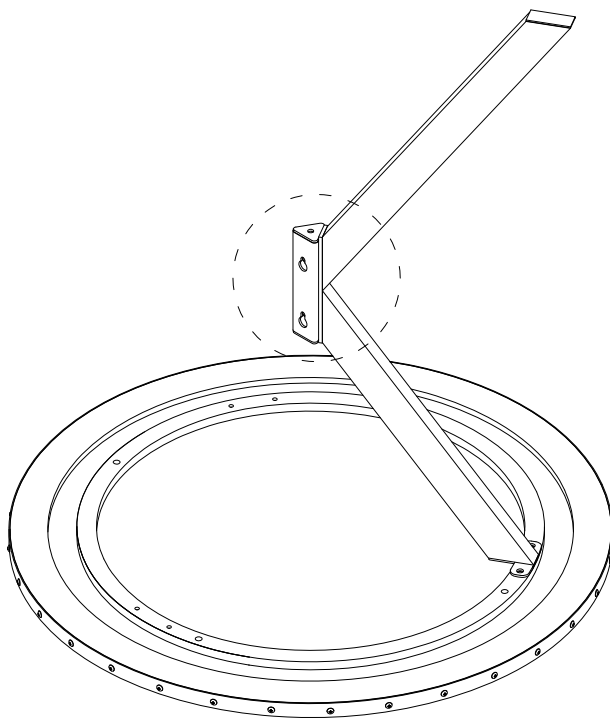
STEP 1: ASSEMBLY

Do not fully tighten all bolts until assembly is complete.
This will help all parts to assemble properly.

1		2PCS
3		2PCS
5		



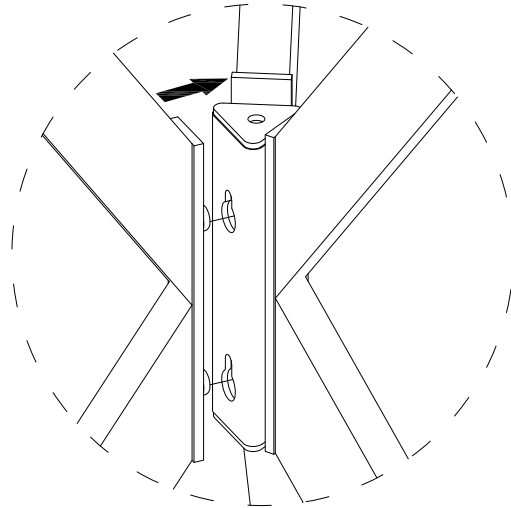
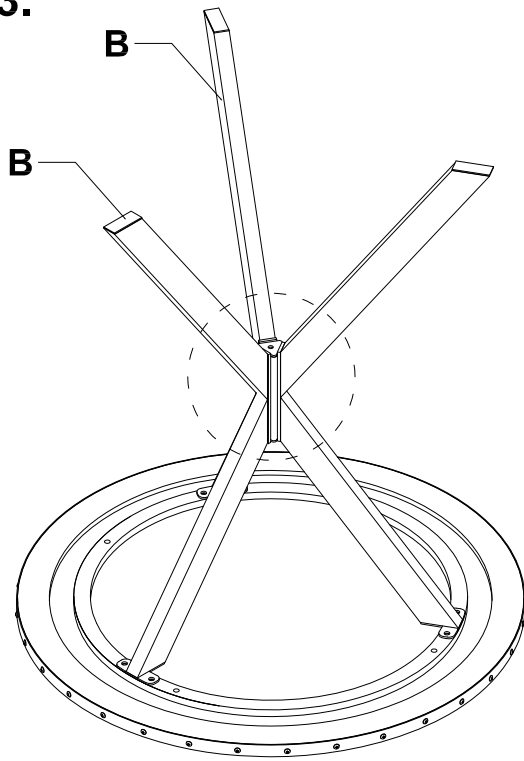
STEP 2:



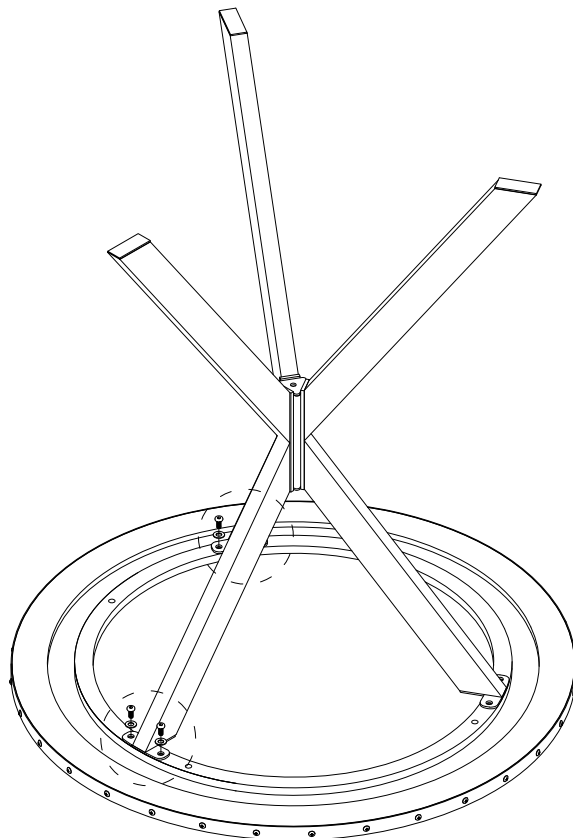
ITEM: **182861**




ASSEMBLY INSTRUCTIONS

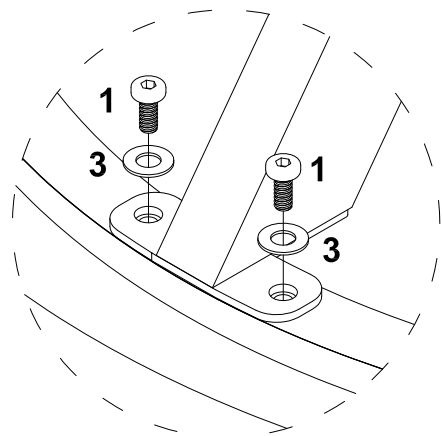
STEP 3:



STEP 4:



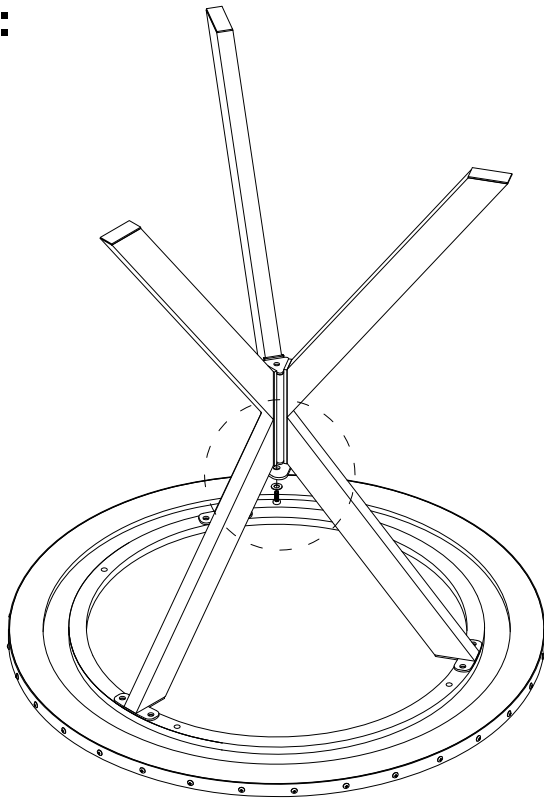
1		4PCS
3		4PCS
5		



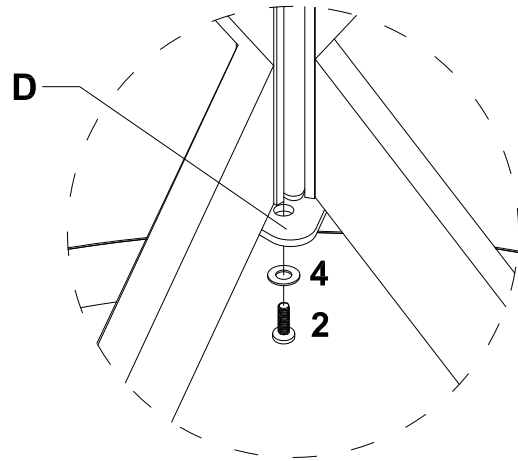
ITEM: **182861**

ASSEMBLY INSTRUCTIONS

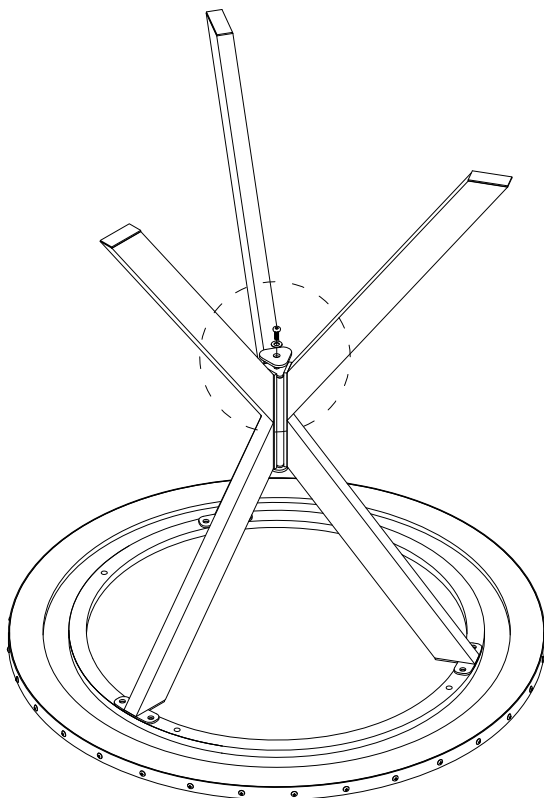
STEP 5:



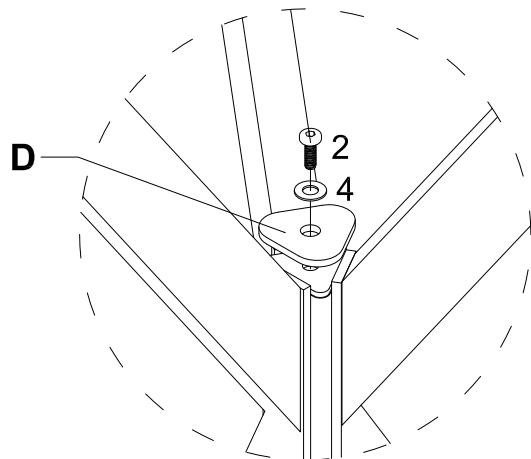
2		1PC
4		1PC
6		



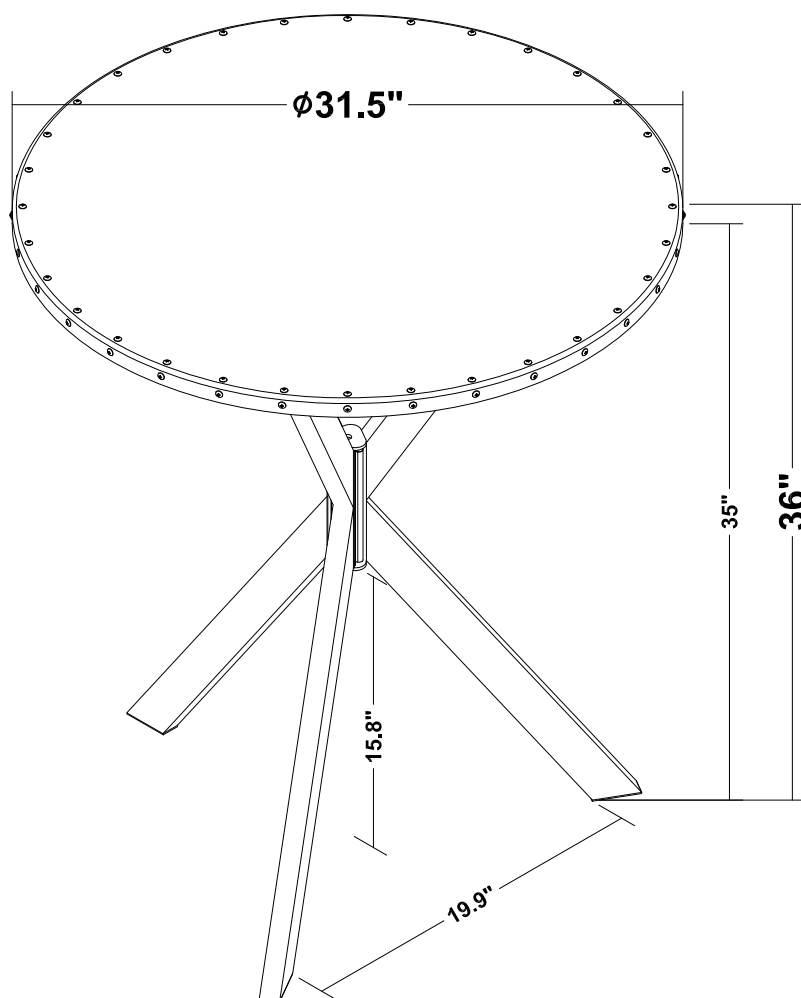
STEP 6:



2		1PC
4		1PC
6		



ITEM:182861



Note : Dimension tolerance $\pm 5\%$