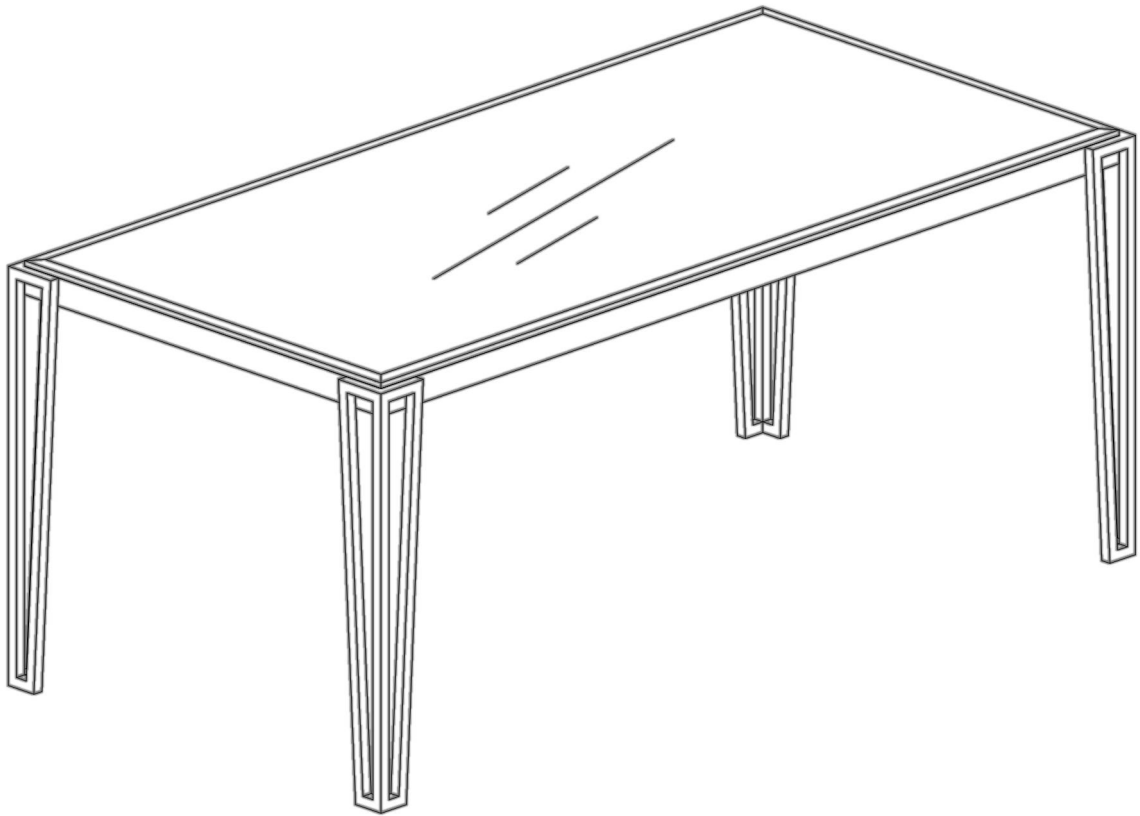


ASSEMBLY INSTRUCTIONS
COASTER FINE FURNITURE



Fine Furniture for every stage of life

193001(B1-B3)
Dining Table

ITEM: 193001(B1-B3)

ASSEMBLY INSTRUCTIONS

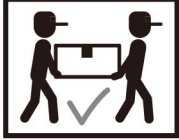
ASSEMBLY TIPS:

1. Remove hardware from box and sort by size.
2. Please check to see that all hardware and parts are present prior to start of assembly.
3. Please follow attached instructions in the same sequence as numbered to assure fast & easy assembly.



WARNING!

1. Don't attempt to repair or modify parts that are broken or defective. Please contact the store immediately.
2. This product is for home use only and not intended for commercial establishments.



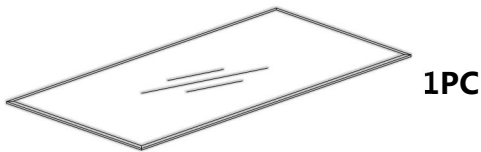
ASSEMBLY TIME

10 MINUTES

PARTS IDENTIFICATION

Box1

A GLASS



1PC

Box3

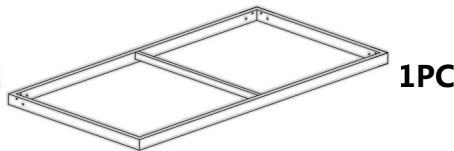
C LEG



4PCS

Box2

B TOP FRAME

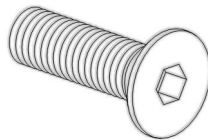


1PC

Z HARDWARE IDENTIFICATION

HARDWARE PACK IS LOCATED IN 193001(B3)

1 BOLTS M8*30



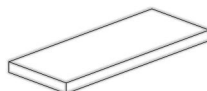
16PCS

2 ALLEN WRENCH 5MM



1PC

3 GLASS REST



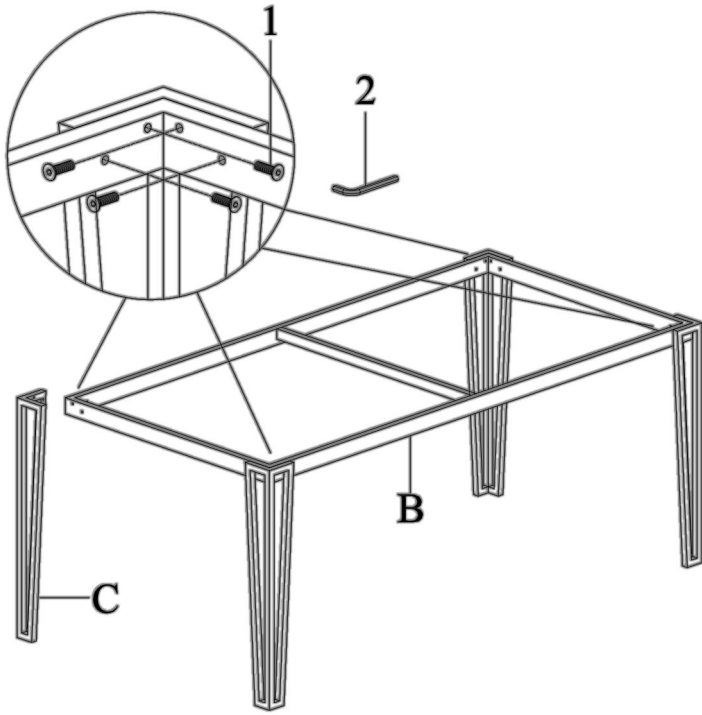
8PCS

ITEM: 193001(B1-B3)

ASSEMBLY INSTRUCTIONS



STEP 1



STEP 2

