

ASSEMBLY INSTRUCTIONS
COASTER FINE FURNITURE



Fine Furniture for every stage of life

2066
DINING CHAIR

REVISION 0 : 05/20/2018
REVISION 1 : 07/29/2019
REVISION 2 : 07/23/2020
REVISION 3 : 08/25/2022
REVISION 4 : 03/13/2023

ASSEMBLY INSTRUCTIONS

ASSEMBLY TIPS:

1. Remove hardware from box and sort by size.
2. Please check to see that all hardware and parts are present prior to start of assembly.
3. Please follow attached instructions in the same sequence as numbered to assure fast & easy assembly.





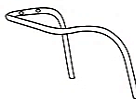


WARNING!

1. Don't attempt to repair or modify parts that are broken or defective. Please contact the store immediately.
2. This product is for home use only and not intended for commercial establishments.





ASSEMBLY TIME

10 MINUTES

PARTS IDENTIFICATION

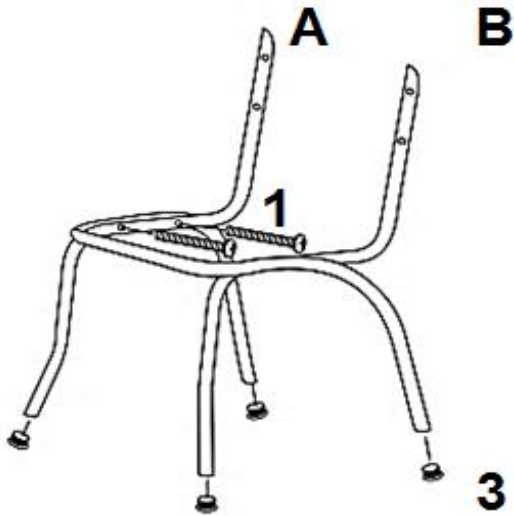
A	METAL TUBE A		1PC
B	METAL TUBE B		1PC
C	LEG TUBE		1PC
D	SEAT BACK		1PC
E	SEAT CUSHION		1PC

HARDWARE IDENTIFICATION

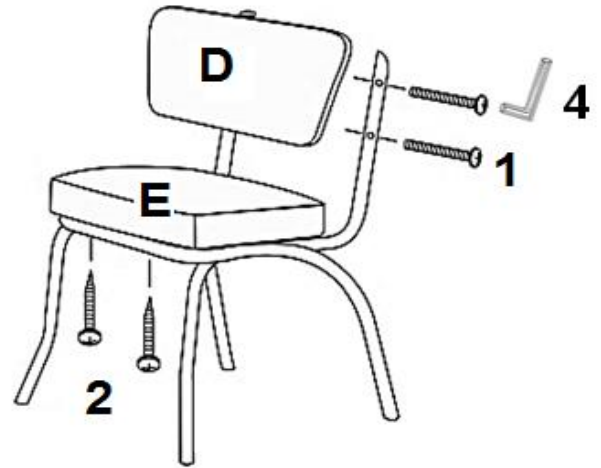
1	BOLT (1/4" x 41mm)		8PCS
2	SCREW (8# x 38mm)		4PCS
3	CAP (1")		4PCS
4	ALLEN WRENCH (4mm)		1PC

ITEM: **2066**

ASSEMBLY INSTRUCTIONS
STEP 1



STEP 2

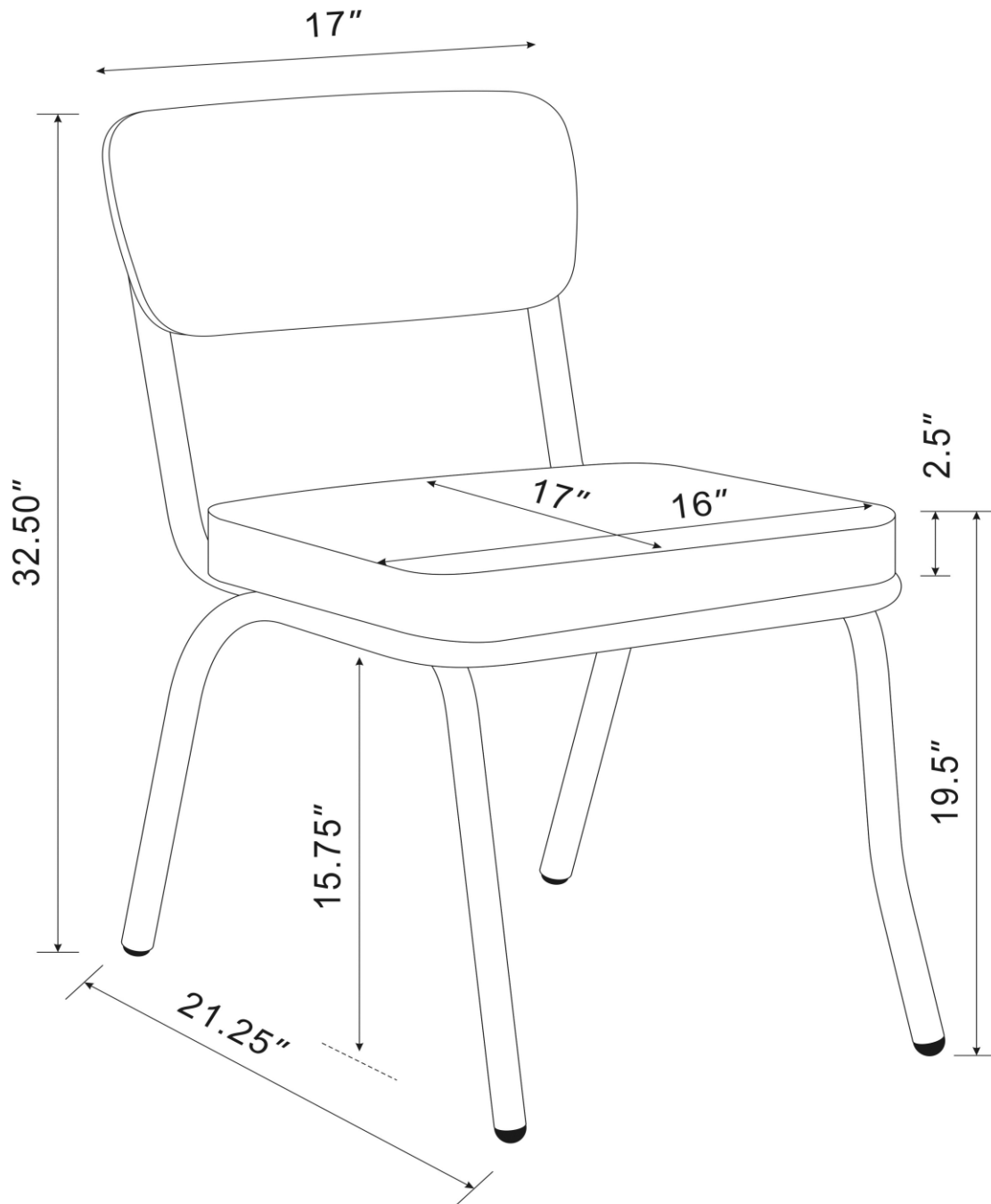


STEP 3

COMPLETE



ITEM:2066



Note : Dimension tolerance $\pm 5\%$