



# ASSEMBLY INSTRUCTIONS COASTER FINE FURNITURE



*Fine Furniture for every stage of life*

## 2450R DINING CHAIR

REVISION 0 : 05/20/2018  
REVISION 1 : 07/29/2019  
REVISION 2 : 07/23/2020  
REVISION 3 : 08/25/2022  
REVISION 4 : 03/13/2023

PAGE 1 OF 4

COASTERFURNITURE.COM

## ASSEMBLY INSTRUCTIONS

### ASSEMBLY TIPS:

1. Remove hardware from box and sort by size.
2. Please check to see that all hardware and parts are present prior to start of assembly.
3. Please follow attached instructions in the same sequence as numbered to assure fast & easy assembly.






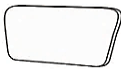

### WARNING!

1. Don't attempt to repair or modify parts that are broken or defective. Please contact the store immediately.
2. This product is for home use only and not intended for commercial establishments.


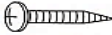


**ASSEMBLY TIME**

**10 MINUTES**

## PARTS IDENTIFICATION

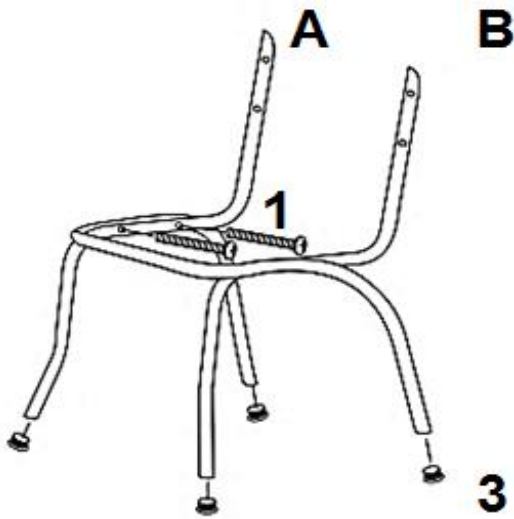
A	METAL TUBE A		1PC
B	METAL TUBE B		1PC
C	LEG TUBE		1PC
D	SEAT BACK		1PC
E	SEAT CUSHION		1PC

## HARDWARE IDENTIFICATION

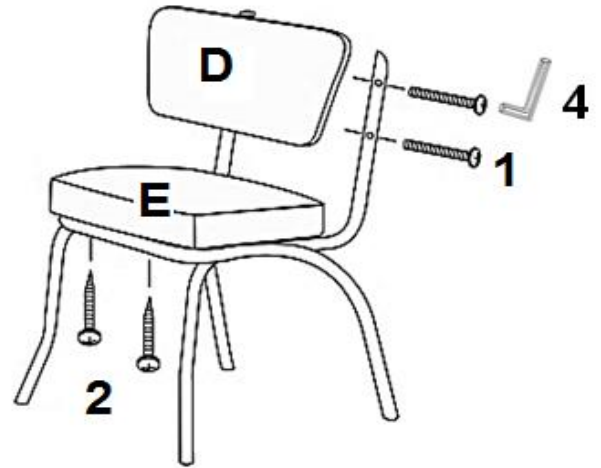
1	BOLT (1/4" x 41mm)		8PCS
2	SCREW (8# x 38mm)		4PCS
3	CAP (1" )		4PCS
4	ALLEN WRENCH (4mm)		1PC

ITEM: **2450R**

**ASSEMBLY INSTRUCTIONS**  
**STEP 1**



**STEP 2**

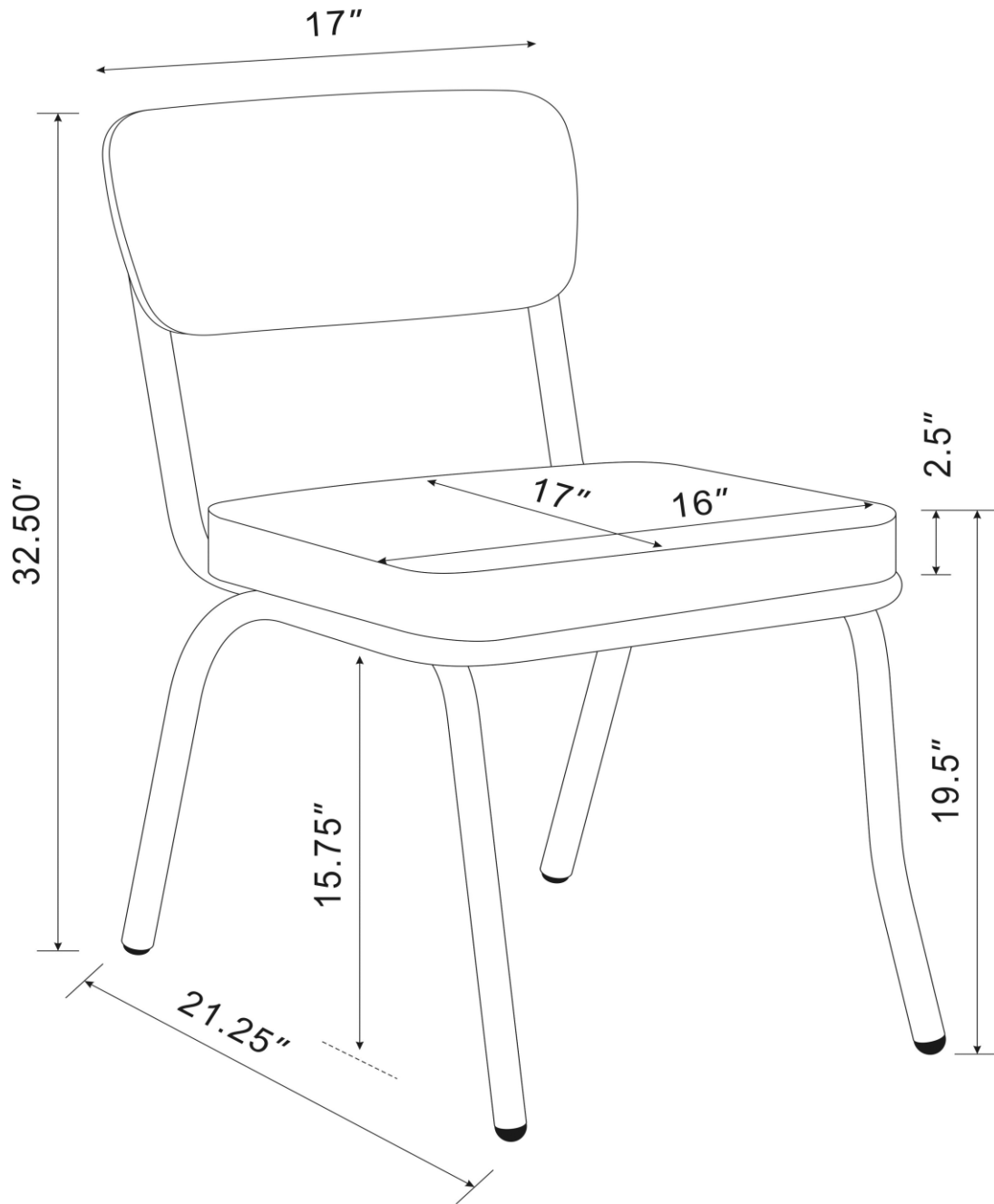


**STEP 3**

**COMPLETE**



ITEM:2450R



**Note** : Dimension tolerance  $\pm 5\%$