

ASSEMBLY INSTRUCTIONS
COASTER FINE FURNITURE



Fine Furniture for every stage of life

306057
Daybed

ITEM: 306057



ASSEMBLY INSTRUCTIONS

ASSEMBLY TIPS:

1. Remove hardware from box and sort by size.
2. Please check to see that all hardware and parts are present prior to start of assembly.
3. Please follow attached instructions in the same sequence as numbered to assure fast & easy assembly.



WARNING!

1. Don't attempt to repair or modify parts that are broken or defective. Please contact the store immediately.
2. This product is for home use only and not intended for commercial establishments.



ASSEMBLY TIME

60 MINUTES

PARTS IDENTIFICATION

A1 LSF HEADBOARD LEG		1PC	B1 RSF HEADBOARD LEG		1PC
C1 LSF FOOTBOARD LEG		1PC	D1 RSF FOOTBOARD LEG		1PC
E1 HEADBOARD		2PCS	F1 BACK FRAME		1PC
G1 DAYBED RAIL		2PCS	H1 TRUNDLE LONG RAIL		2PCS
I1 TRUNDLE SHORT RAIL		2PCS	J1 SLAT		42PCS
K1 SLAT CONNECTOR		84PCS	L1 FINIAL		4PCS
M1 LOCK WHEEL		2PCS	N1 WHEEL		2PCS
O1 SLAT SPACER		21PCS			

HARDWARE IDENTIFICATION

Z - HARDWARE

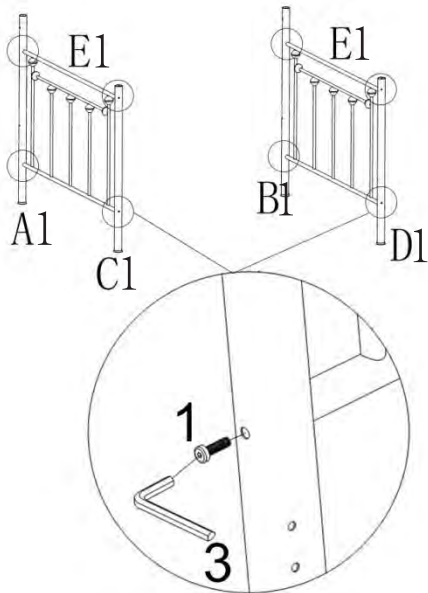
1 BOLT(Ø 1/4"x16MM)		24PCS	3 ALLEN WRENCH(1/4")		1PC
2 BOLT(Ø 1/4"x55MM)		4PCS	4 OPEN WRENCH(1/4")		1PC

ITEM: 306057

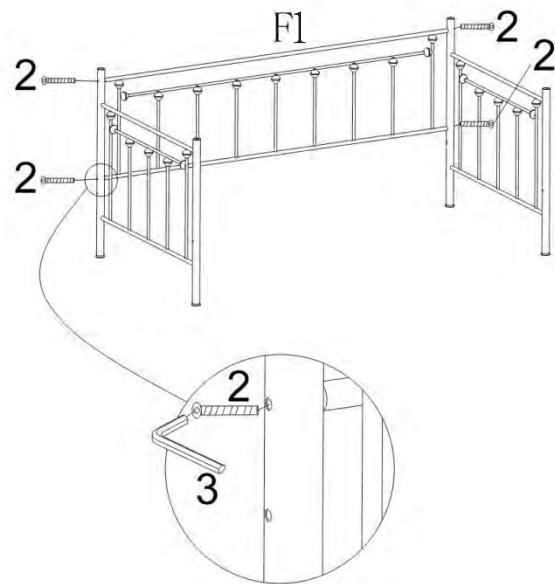
ASSEMBLY INSTRUCTIONS



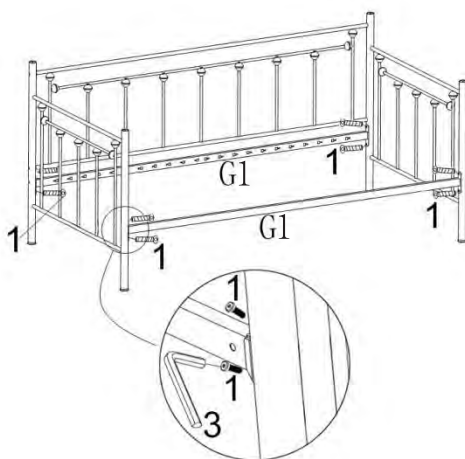
STEP 1



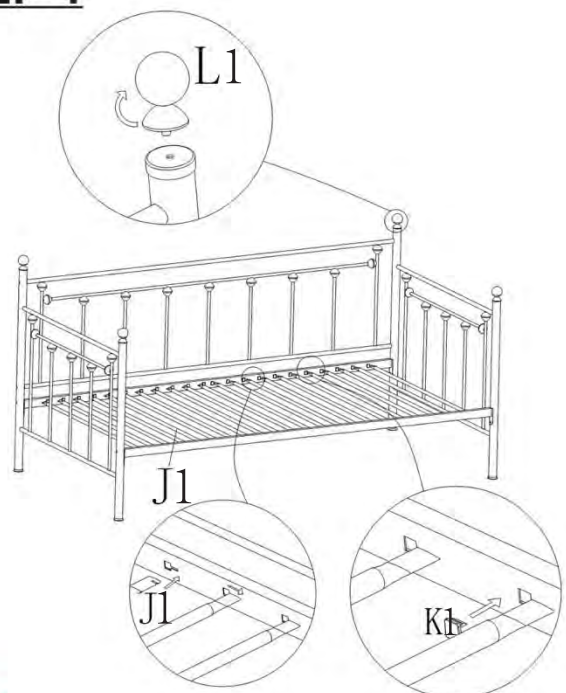
STEP 2



STEP 3



STEP 4

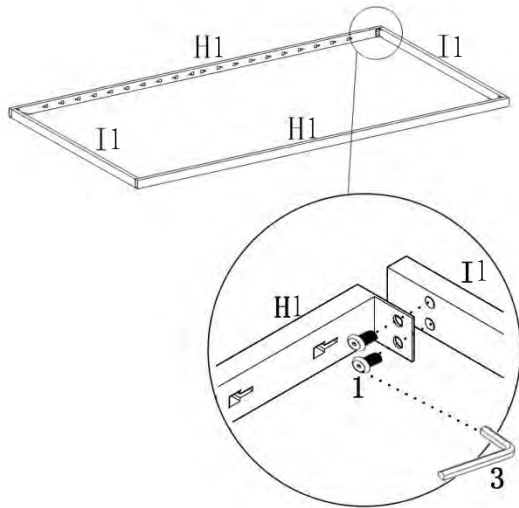


ITEM: 306057

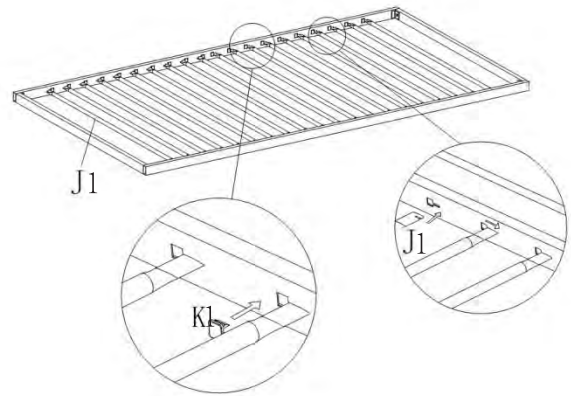
ASSEMBLY INSTRUCTIONS



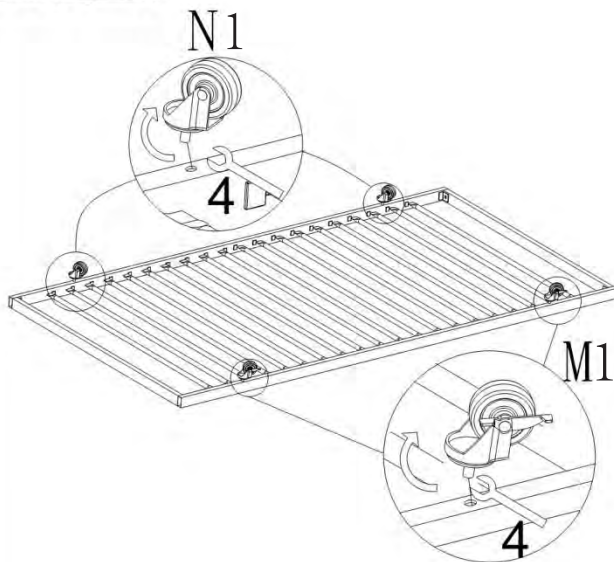
STEP 5



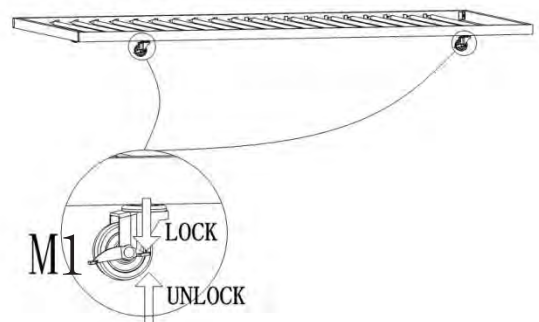
STEP 6



STEP 7



STEP 8

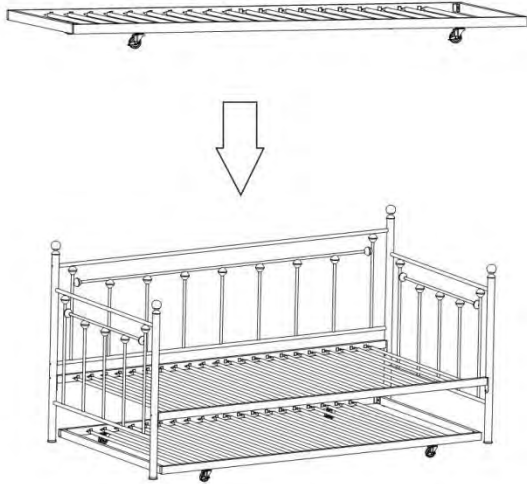


ITEM: 306057

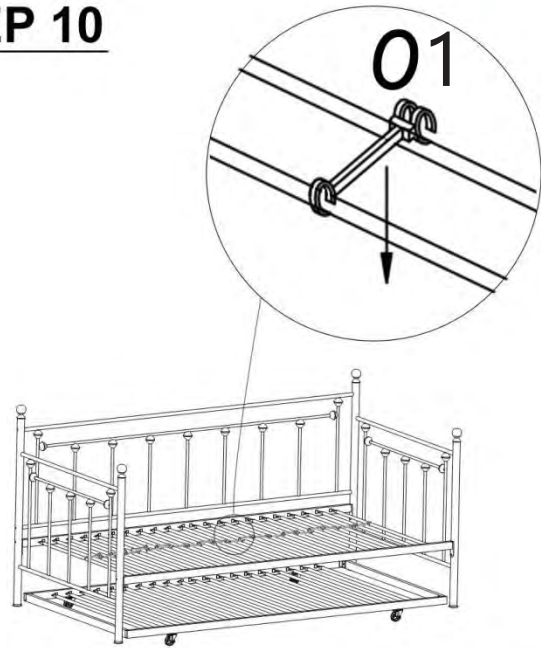
ASSEMBLY INSTRUCTIONS



STEP 9



STEP 10



Note : Dimension tolerance $\pm 5\%$

