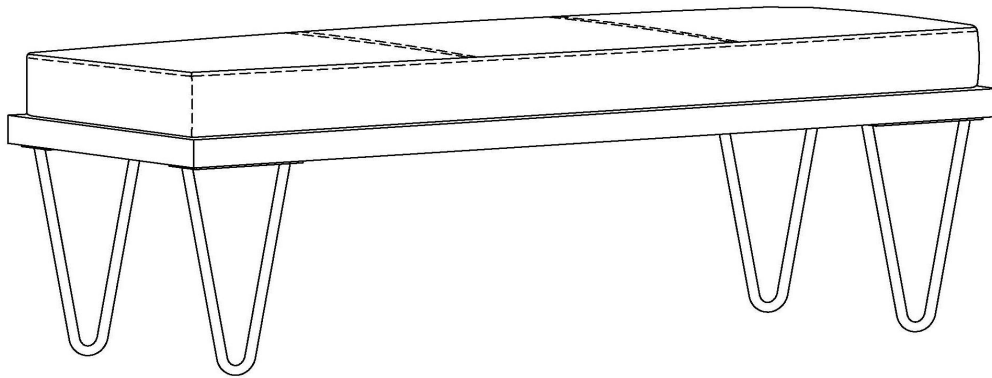




ASSEMBLY INSTRUCTIONS

COASTER FINE FURNITURE



Fine Furniture for every stage of life

501837
Bench

REVISION 0: 09/04/2019

REVISION 1: 03/21/2023

ITEM: **501837**

ASSEMBLY INSTRUCTIONS



ASSEMBLY TIPS:

1. Remove hardware from box and sort by size.
2. Please check to see that all hardware and parts are present prior to start of assembly.
3. Please follow attached instructions in the same sequence as numbered to assure fast & easy assembly.



WARNING

1. Don't attempt to repair or modify parts that are broken or defective. Please contact the store immediately.
2. This product is for home use only and not intend for commercial establishments.



ASSEMBLY TIME

20 MINUTES

PARTS IDENTIFICATION

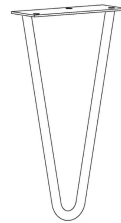
A TOP

1PC



B LEG

4PCS



HARDWARE IDENTIFICATION

1 BOLT
1/4"x1"



12PCS

2 WASHER
1/4"



12PCS

3 ALLEN KEY
4mm



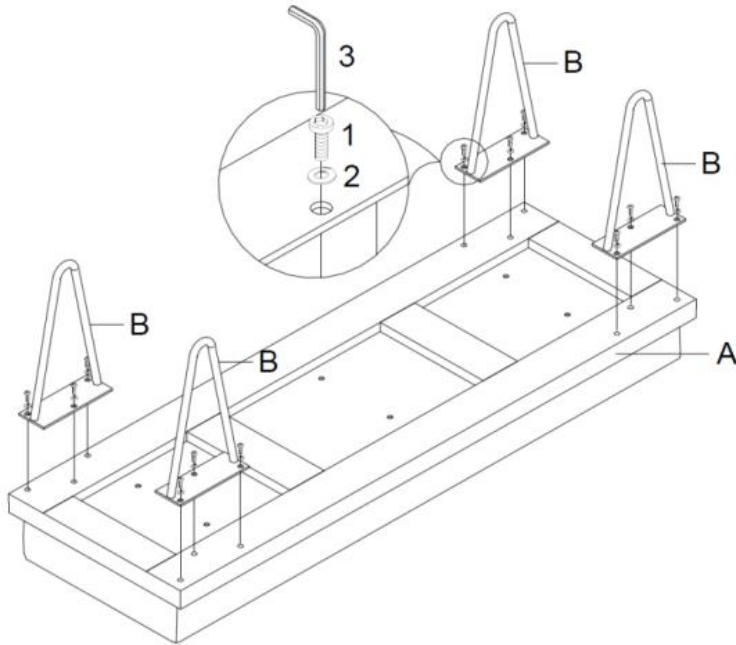
1PC




ITEM:501837

ASSEMBLY INSTRUCTIONS

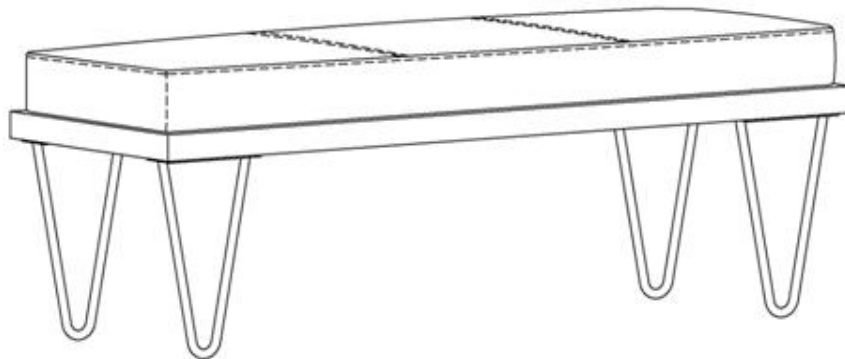


STEP 1

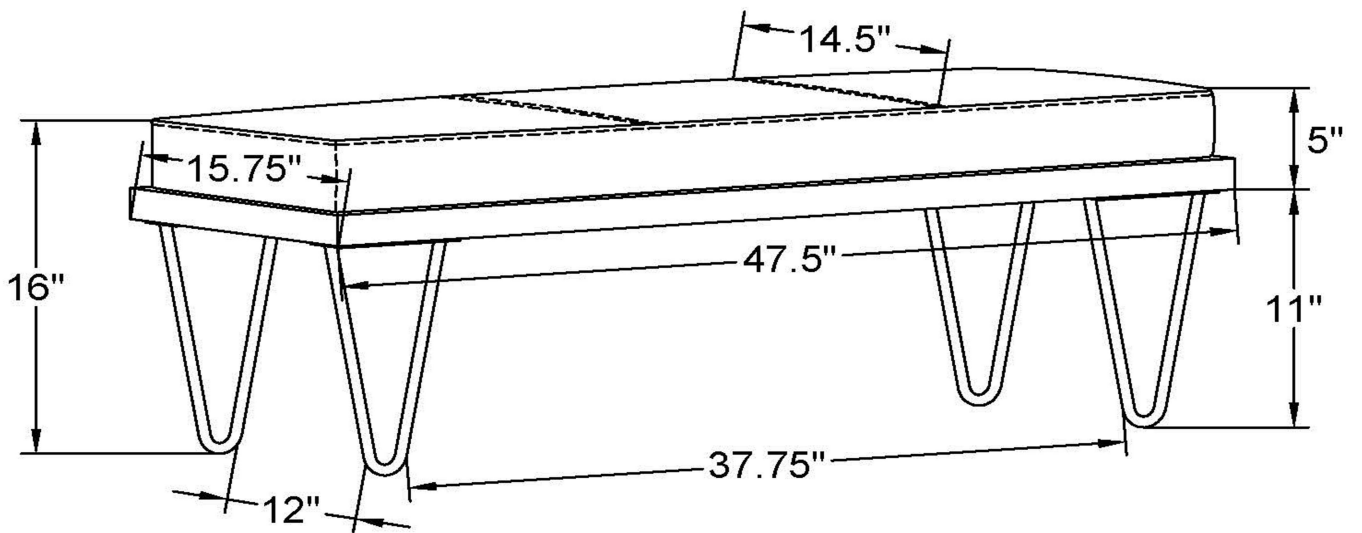


| | | |
|---|---|-------|
| 1 |  | 12PCS |
| 2 |  | 12PCS |
| 3 |  | 1PC |

STEP 2 COMPLETE



ITEM: **501837**



Note: Dimension tolerance $\pm 5\%$