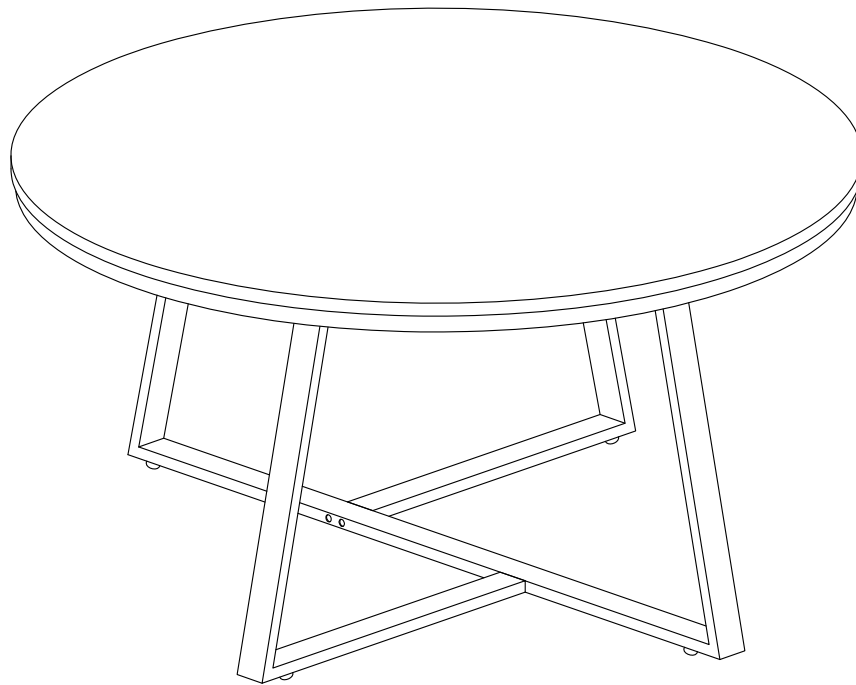


ASSEMBLY INSTRUCTIONS
COASTER FINE FURNITURE



Fine Furniture for every stage of life

723238
Coffee Table

ITEM: 723238



ASSEMBLY INSTRUCTIONS

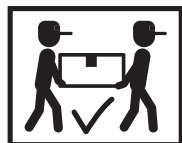
ASSEMBLY TIPS:

1. Remove hardware from box and sort by size.
2. Please check to see that all hardware and parts are present prior to start of assembly.
3. Please follow attached instructions in the same sequence as numbered to assure fast & easy assembly.



WARNING!

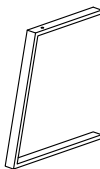
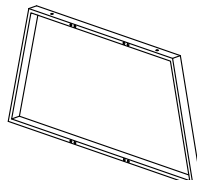
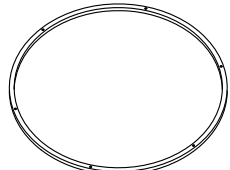
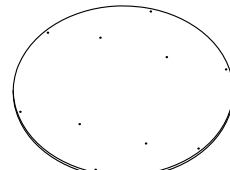
1. Don't attempt to repair or modify parts that are broken or defective. Please contact the store immediately.
2. This product is for home use only and not intended for commercial establishments.




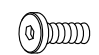
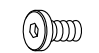
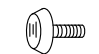

ASSEMBLY TIME

30 MINUTES

PARTS IDENTIFICATION

No	DESCRIPTION & FIGURE	QTY
A	HALF LEG FRAME 	2pcs
B	FULL LEG FRAME 	1pc
C	TOP FRAME 	1pc
D	TOP 	1pc

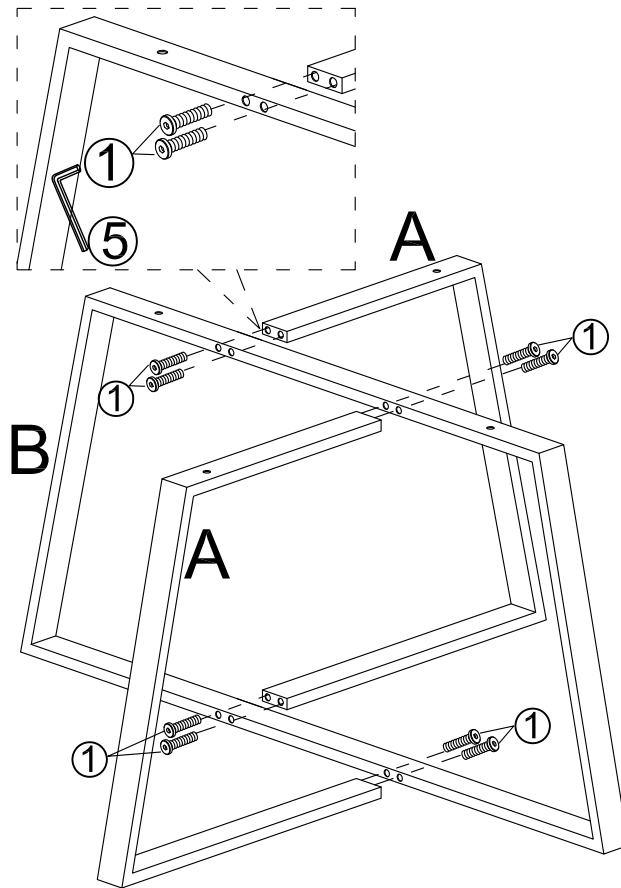
HARDWARE PACKAGE:

No	DESCRIPTION	FIGURE	QTY
1	BOLT	 M6×55mm	8pcs
2	BOLT	 M6×30mm	6pcs
3	BOLT	 M6×22mm	4pcs
4	LEVELER		4pcs
5	ALLEN KEY (4mm)		1pc

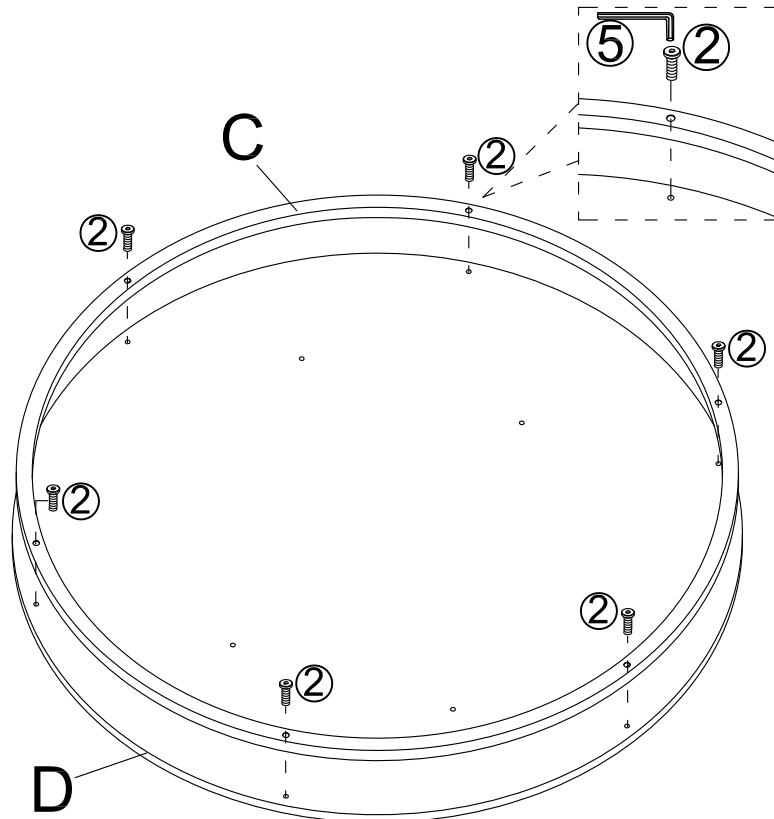
ITEM: **723238**



STEP 1



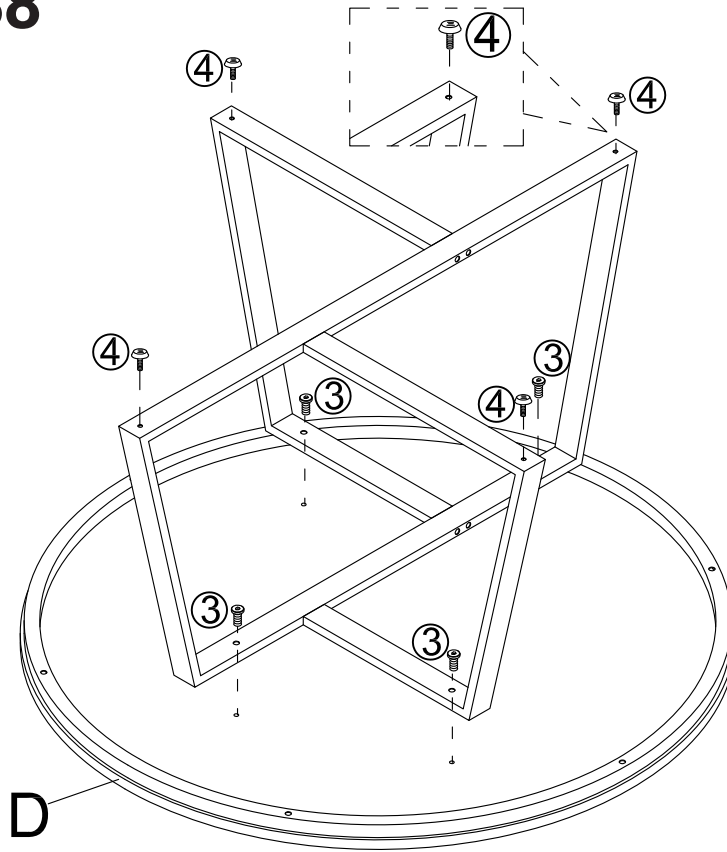
STEP 2



ITEM: **723238**

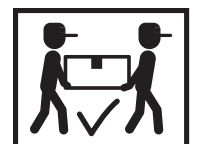
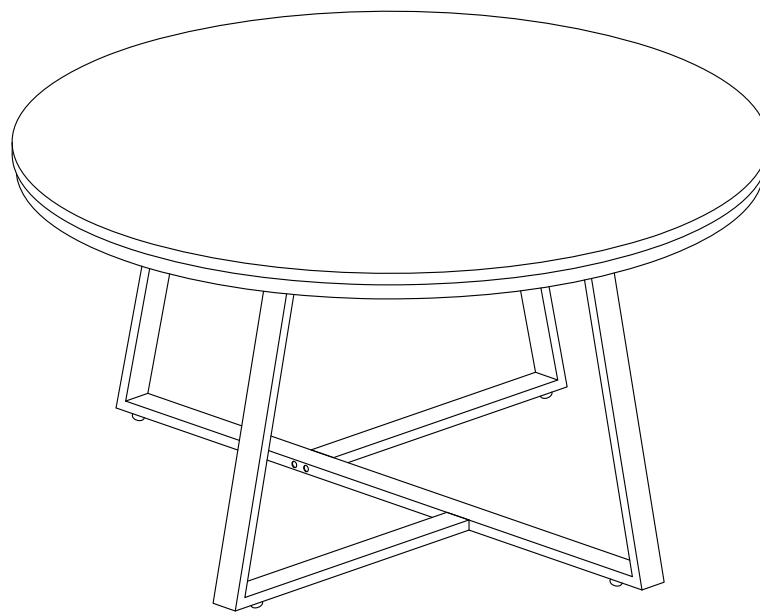


STEP 3

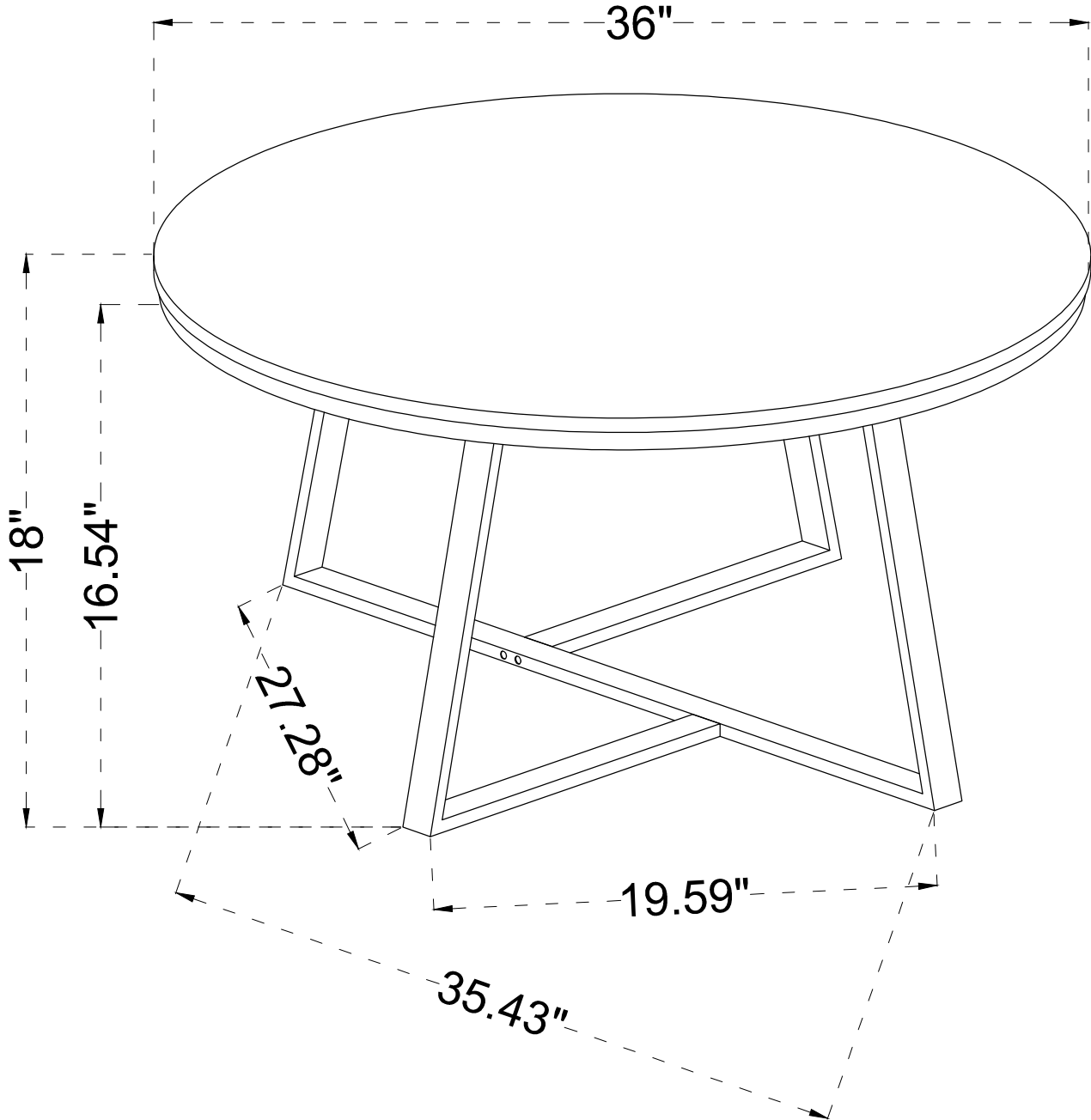


STEP 4

COMPLETE



ITEM: **723238**



Note: Dimension tolerance $\pm 5\%$