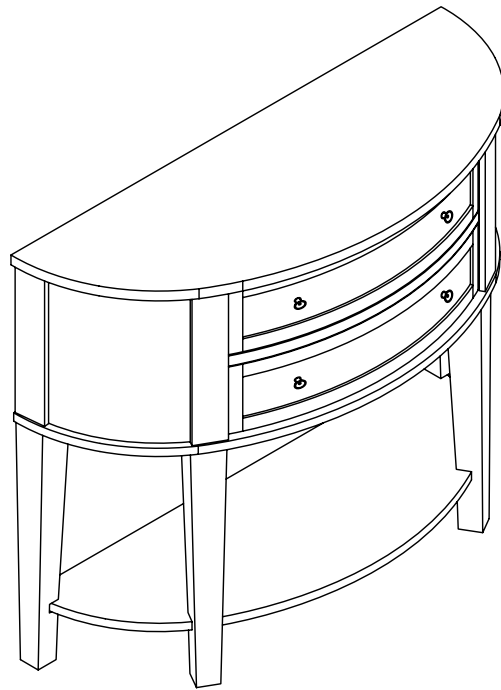


ASSEMBLY INSTRUCTIONS
COASTER FINE FURNITURE



Fine Furniture for every stage of life

950156
Console Table

REVISION 0 : 12/09/2016

REVISION 1 : 06/15/2019

REVISION 2 : 03/23/2023

ITEM: 950156

ASSEMBLY INSTRUCTIONS



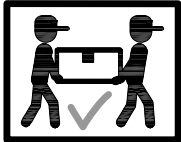
ASSEMBLY TIPS:

1. Remove hardware from box and sort by size.
2. Please check to see that all hardware and parts are present prior to start of assembly.
3. Please follow attached instructions in the same sequence as numbered to assure fast & easy assembly.



WARNING!

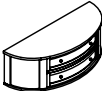



1. Don't attempt to repair or modify parts that are broken or defective. Please contact the store immediately.
2. This product is for home use only and not intended for commercial establishments.





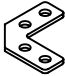




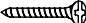

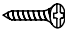
ASSEMBLY TIME

30 MINUTES

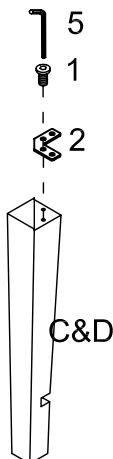
PARTS IDENTIFICATION

A	TOP FRAME		1PC	C	LEFT LEG		2PCS
B	BOTTOM PANEL		1PC	D	RIGHT LEG		2PCS

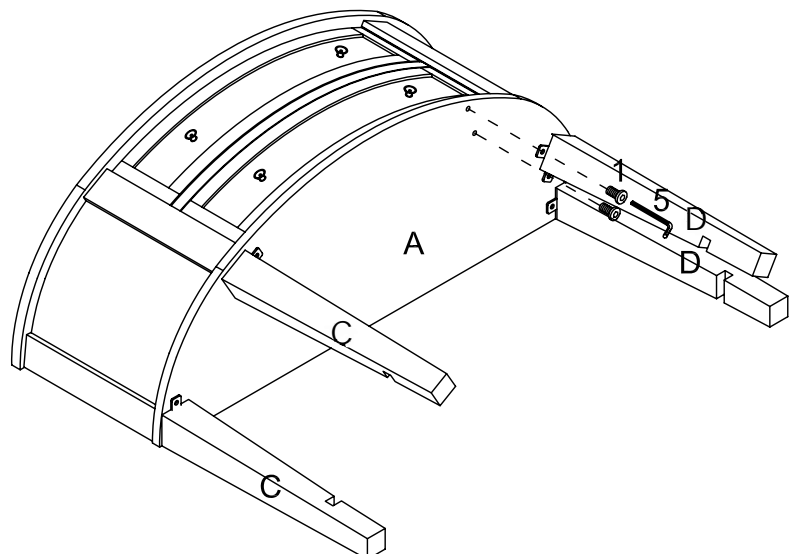
HARDWARE IDENTIFICATION

1	BOLT (1/4" x 1/2")		16PCS	6	PLASTIC (8mm)		1PC
2	LARGE L METAL (60 x 60 x 2.0mm)		4PCS	7	L METAL (24 x 13 x 1.5mm)		2PCS
3	SMALL L METAL (270mm)		4PCS	8	PLASTIC LINE (270mm)		1PC
4	SCREW (3 x 14mm)		8PCS	9	LARGE SCREW (8 x 25mm)		1PC
5	ALLEN WRENCH (4mm)		1PC	10	SMALL SCREW (8 x 15mm)		1PC

STEP 1



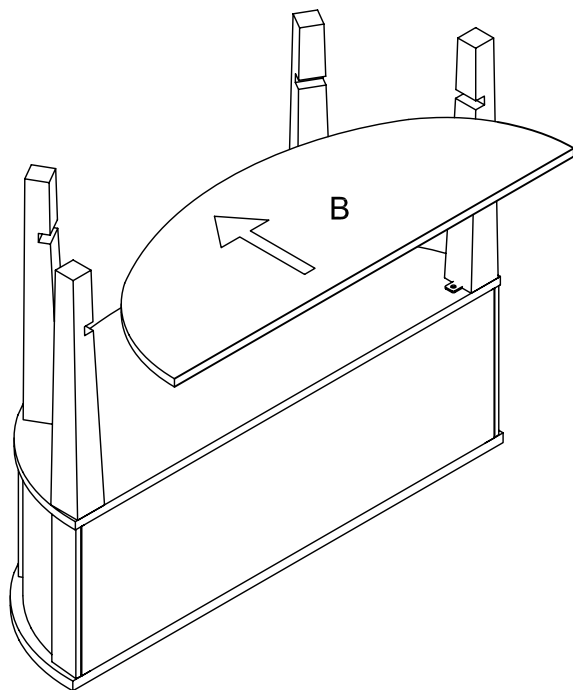
STEP 2



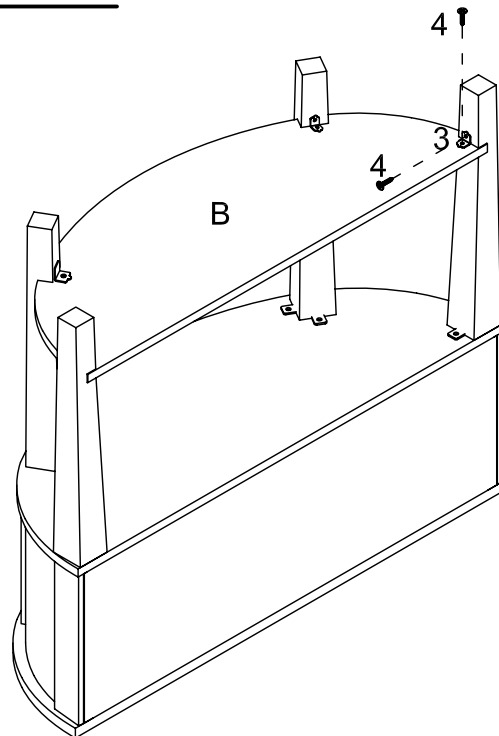
ITEM: **950156**
ASSEMBLY INSTRUCTIONS



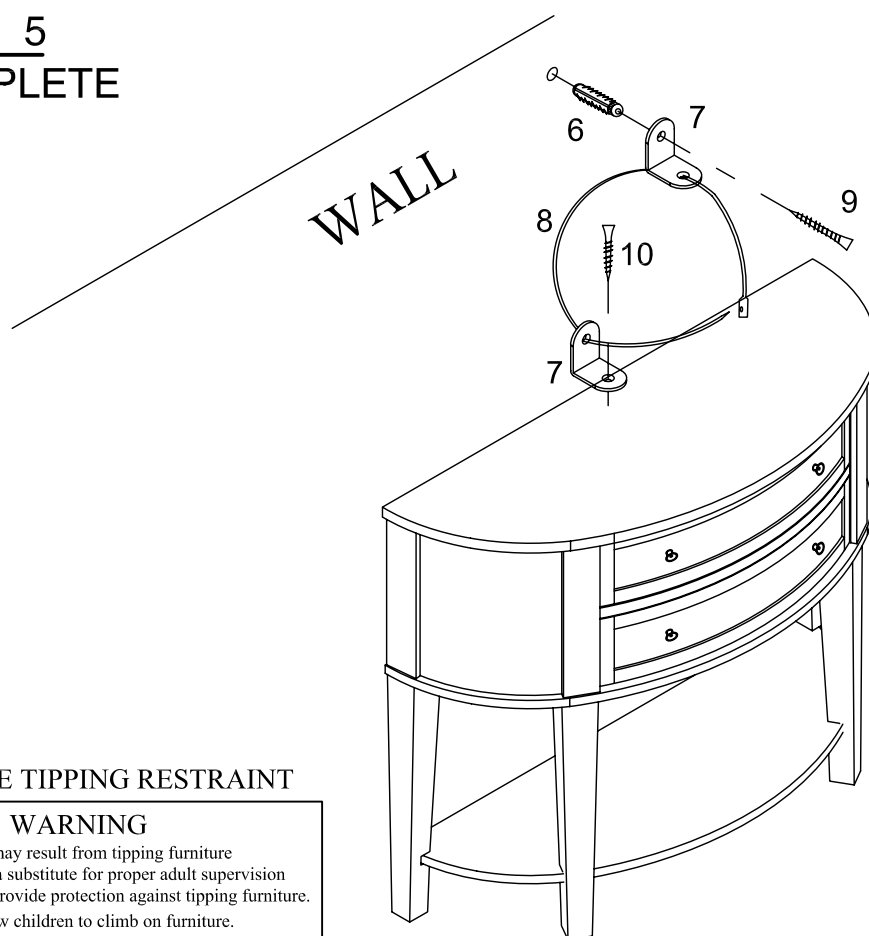
STEP 3



STEP 4



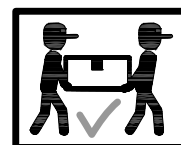
STEP 5
COMPLETE



FURNITURE TIPPING RESTRAINT

WARNING

Injury may result from tipping furniture
This restraint not a substitute for proper adult supervision
This restraint may provide protection against tipping furniture.
Do not allow children to climb on furniture.
Failure to detach this restraint before moving furniture may
result injury and damage



ITEM: **950156**
ASSEMBLY INSTRUCTIONS

