

ASSEMBLY INSTRUCTIONS
COASTER FINE FURNITURE



Fine Furniture for every stage of life

109811
Dining Table

ITEM: 109811

ASSEMBLY INSTRUCTIONS

ASSEMBLY TIPS:

1. Remove hardware from box and sort by size.
2. Please check to see that all hardware and parts are present prior to start of assembly.
3. Please follow attached instructions in the same sequence as numbered to assure fast & easy assembly.



WARNING!



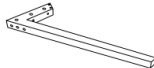
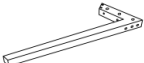
1. Don't attempt to repair or modify parts that are broken or defective. Please contact the store immediately.
2. This product is for home use only and not intended for commercial establishments.







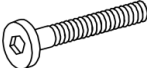




ASSEMBLY TIME

15 MINUTES

PARTS IDENTIFICATION

A	TOP		1PC
B	APRON		2PCS
C	LEFT LEG		2PCS
D	RIGHT LEG		2PCS

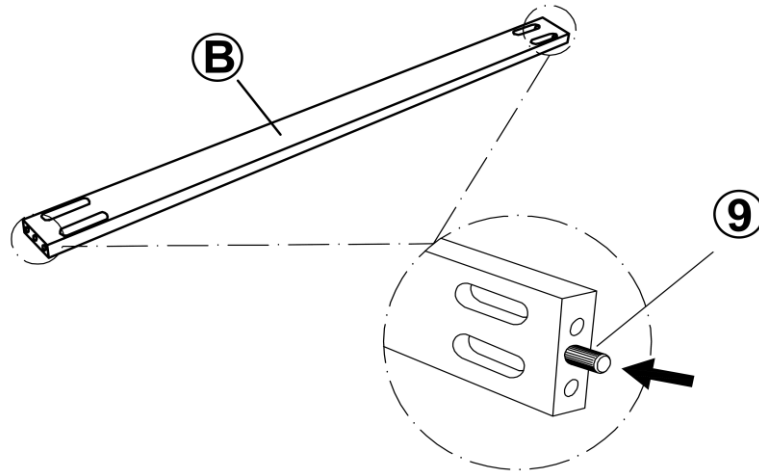
HARDWARE IDENTIFICATION

1	SMALL ALLEN WRENCH (M4 - BLK)		1PC
2	SMALL BOLT (M6 x 50mm - RBW)		8PCS
3	HALF ROUND NUT (M6 - BLK)		8PCS
4	BIG ALLEN WRENCH (M5 - BLK)		1PC
5	BIG BOLT (M8 x 50mm - RBW)		12PCS
6	LOCK WASHER (M8 - RBW)		12PCS
7	FLAT WASHER (M8 - RBW)		12PCS
8	FLAT HEAD SCREW (M4 x 38mm - RBW)		16PCS
9	PLASTIC DOWEL (M8 x 30mm - BLK)		12PCS

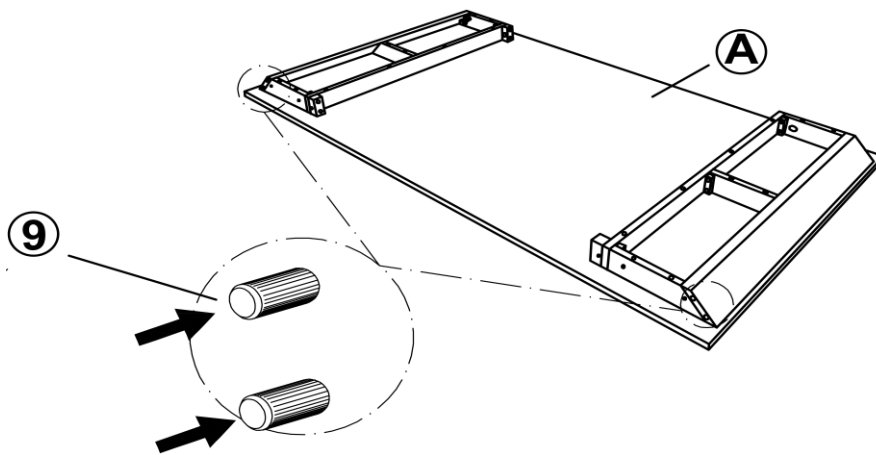
ITEM: 109811



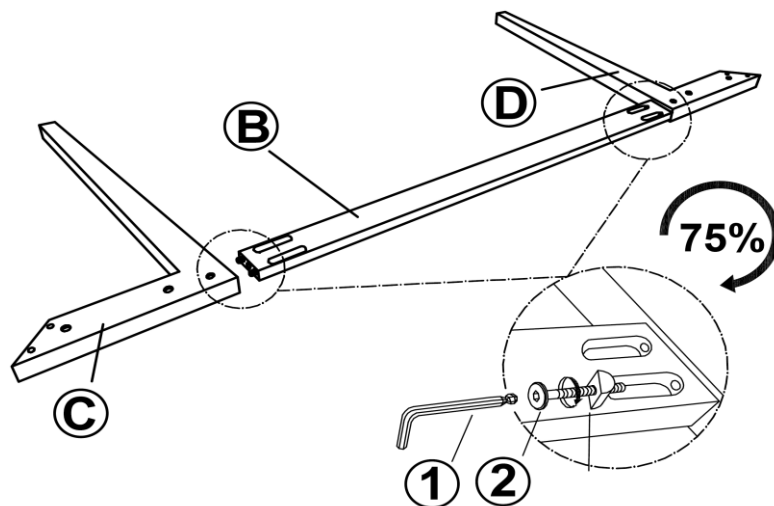
ASSEMBLY INSTRUCTIONS
STEP 1



STEP 2



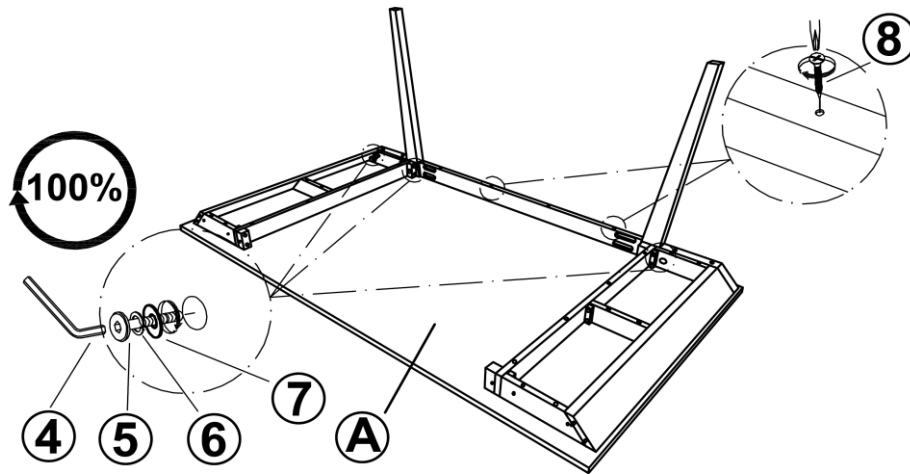
STEP 3



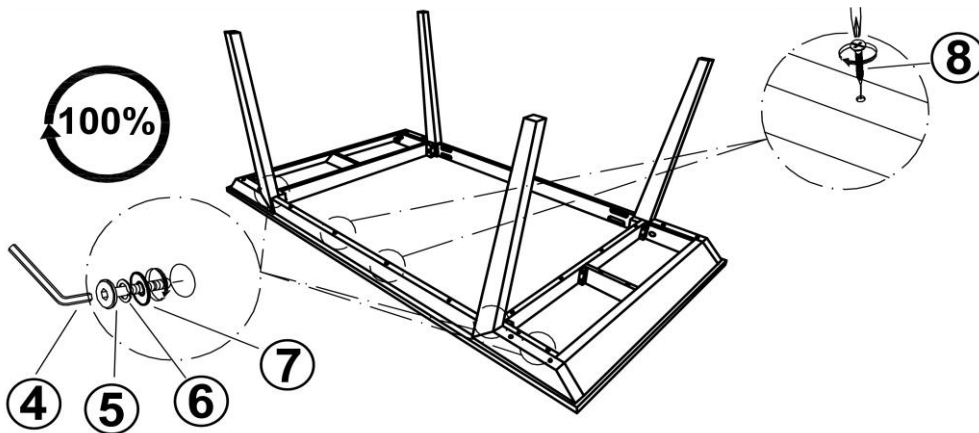
ITEM: 109811



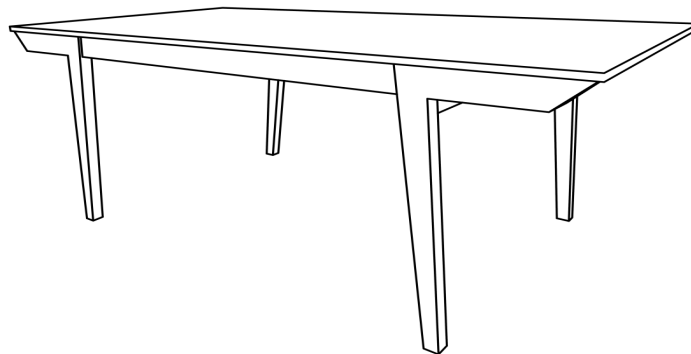
ASSEMBLY INSTRUCTIONS
STEP 4



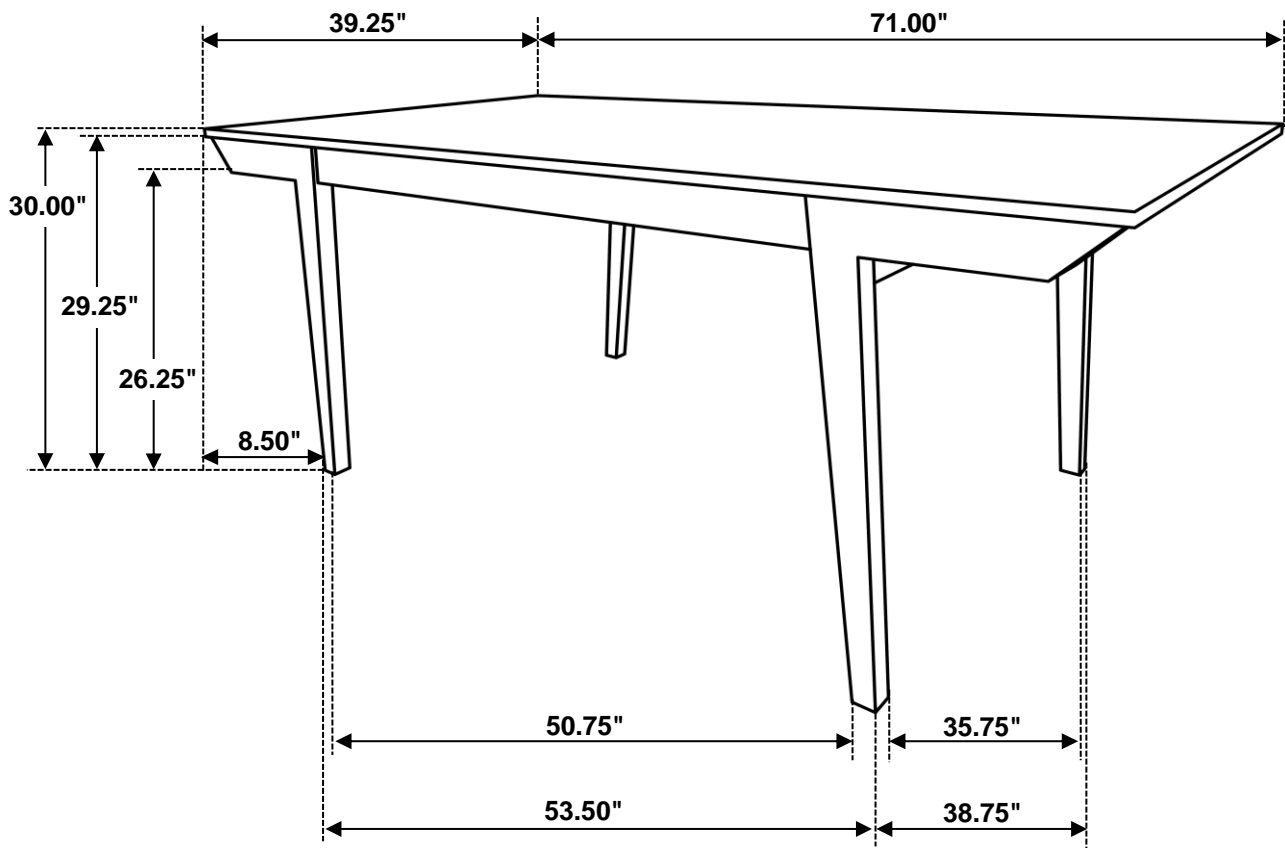
STEP 5



STEP 6
COMPLETE



ITEM: 109811



Note: Dimension tolerance $\pm 5\%$