

ASSEMBLY INSTRUCTIONS
COASTER FINE FURNITURE



Fine Furniture for every stage of life

123072
Dining Side Chair

ITEM: 123072

ASSEMBLY INSTRUCTIONS

ASSEMBLY TIPS:

1. Remove hardware from box and sort by size.
2. Please check to see that all hardware and parts are present prior to start of assembly.
3. Please follow attached instructions in the same sequence as numbered to assure fast & easy assembly.



WARNING!

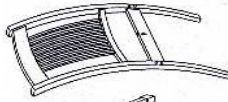
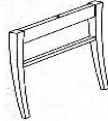
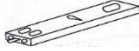


1. Don't attempt to repair or modify parts that are broken or defective. Please contact the store immediately.
2. This product is for home use only and not intended for commercial establishments.








ASSEMBLY TIME

15 MINUTES

PARTS IDENTIFICATION

A	BACK FRAME		1PC
B	FRONT LEG FRAME		1PC
C	SIDE RAIL		2PCS
D	SIDE STRETCHER		2PCS
E	WOODEN SEAT		1PC

HARDWARE IDENTIFICATION

1	ALLEN WRENCH (M4 - BLK)		1PC
2	BOLT (M6 x 50mm - RBW)		6PCS
3	NYLON WASHER (3/5" x 3/5" - BLK)		6PCS
4	LONG FLAT HEAD SCREW (M4 x 38mm - RBW)		4PCS
5	SHORT FLAT HEAD SCREW (M4 x 25mm - RBW)		4PCS

NOTE:

Quantities shown are for one chair.

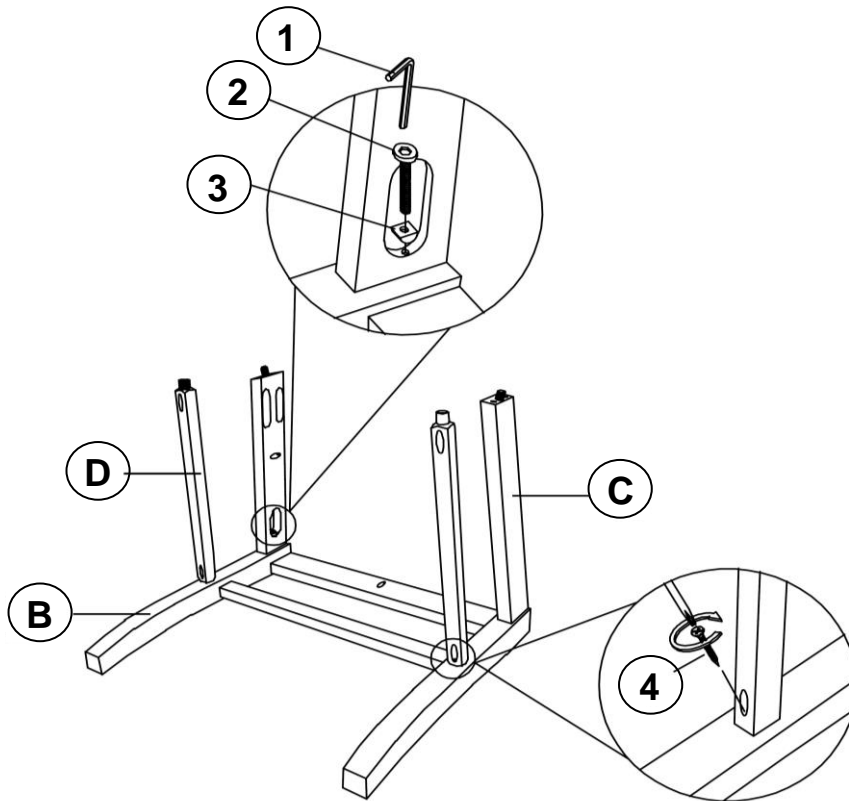
Phillips head screw driver is required in the assembly process; however, manufacturer does not provide this item.

ITEM: 123072

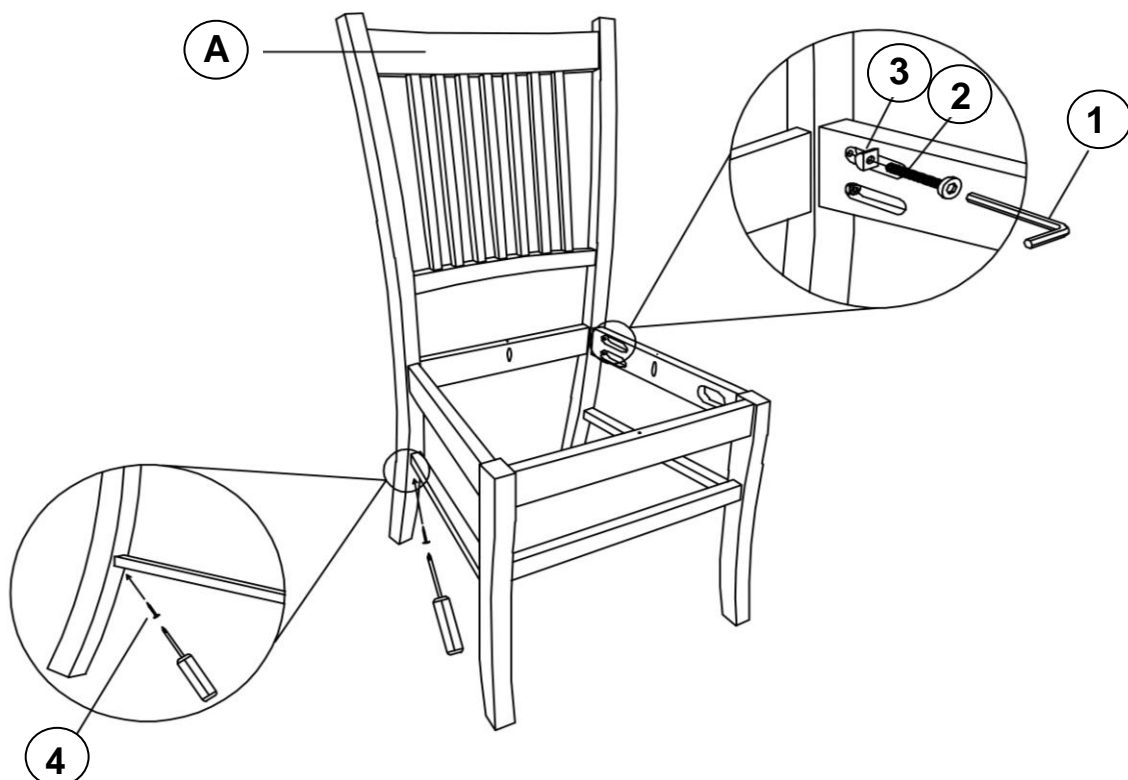


ASSEMBLY INSTRUCTIONS

STEP 1



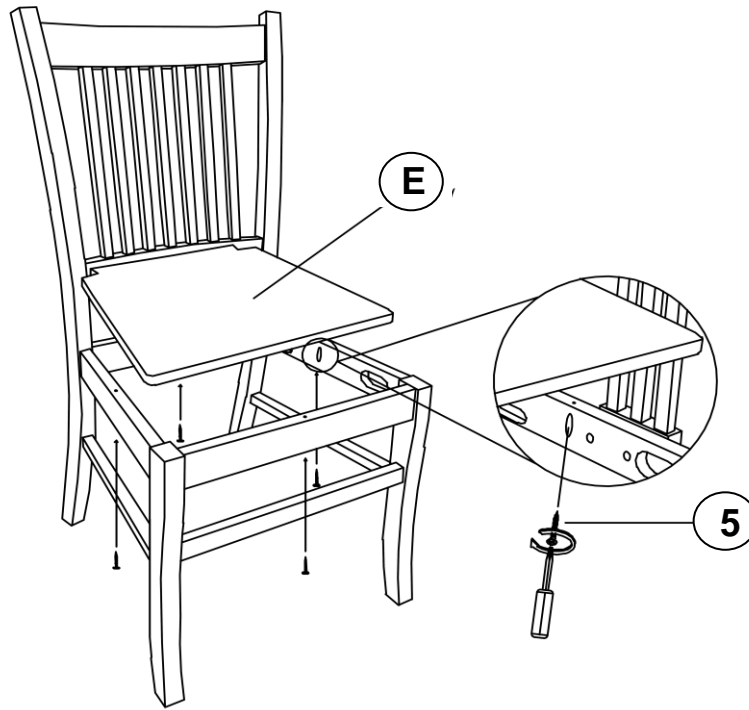
STEP 2



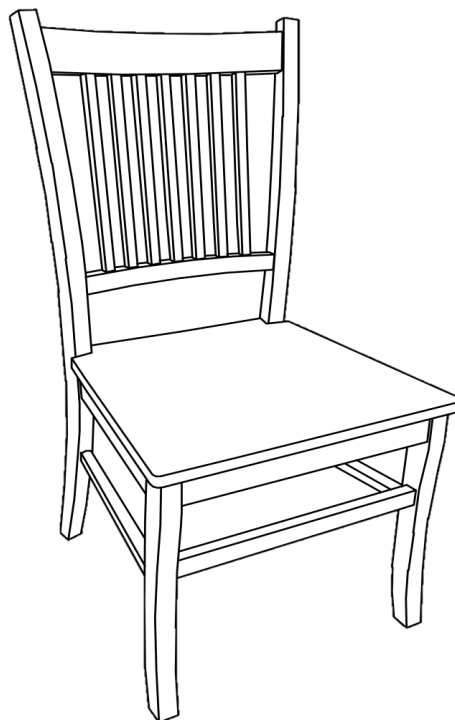
ITEM: 123072



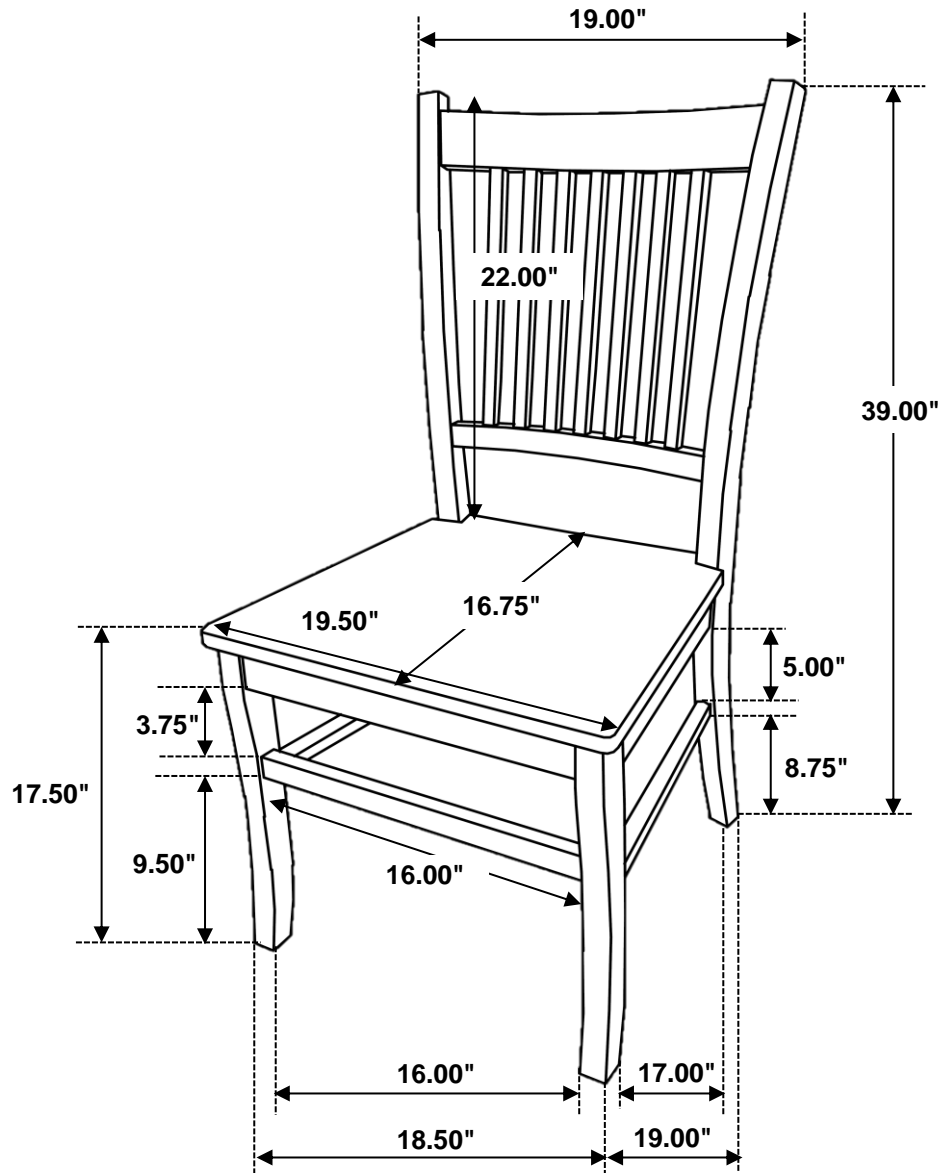
ASSEMBLY INSTRUCTIONS
STEP 3



STEP 4
COMPLETE



ITEM: 123072



Note: Dimension tolerance $\pm 5\%$