

ASSEMBLY INSTRUCTIONS
COASTER FINE FURNITURE



Fine Furniture for every stage of life

182230
BAR TABLE

ITEM: 182230



ASSEMBLY INSTRUCTIONS

ASSEMBLY TIPS:

1. Remove hardware from box and sort by size.
2. Please check to see that all hardware and parts are present prior to start of assembly.
3. Please follow attached instructions in the same sequence as numbered to assure fast & easy assembly.



WARNING!

1. Don't attempt to repair or modify parts that are broken or defective. Please contact the store immediately.
2. This product is for home use only and not intended for commercial establishments.

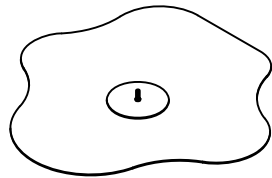
ASSEMBLY TIME

20 MINUTES

PARTS IDENTIFICATION

B1 (BOX 1)

A TABLE TOP



1PC

B

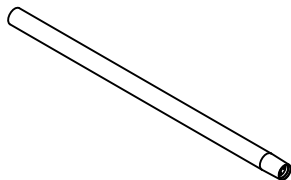
BASE



1PC

B2 (BOX 2)

C POST



1PC

ITEM: **182230**

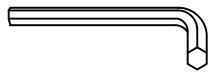


ASSEMBLY INSTRUCTIONS

Z

HARDWARE IDENTIFICATION

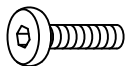
1 ALLEN WRENCH
(4mm) 1PC



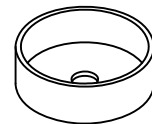
3 WASHER 1PC



2 BOLT
(Ø5/16" x 38mm) 1PC



4 BOTTOM COVER 1PC



NOTE:

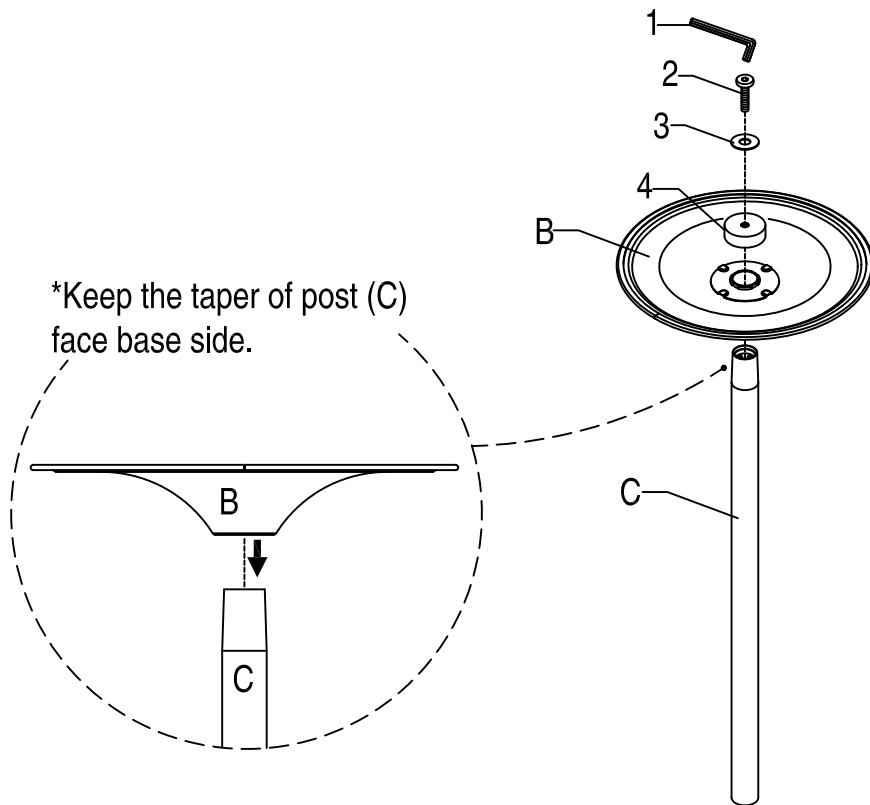
Hardware pack is located in 182230B1.

ITEM: 182230

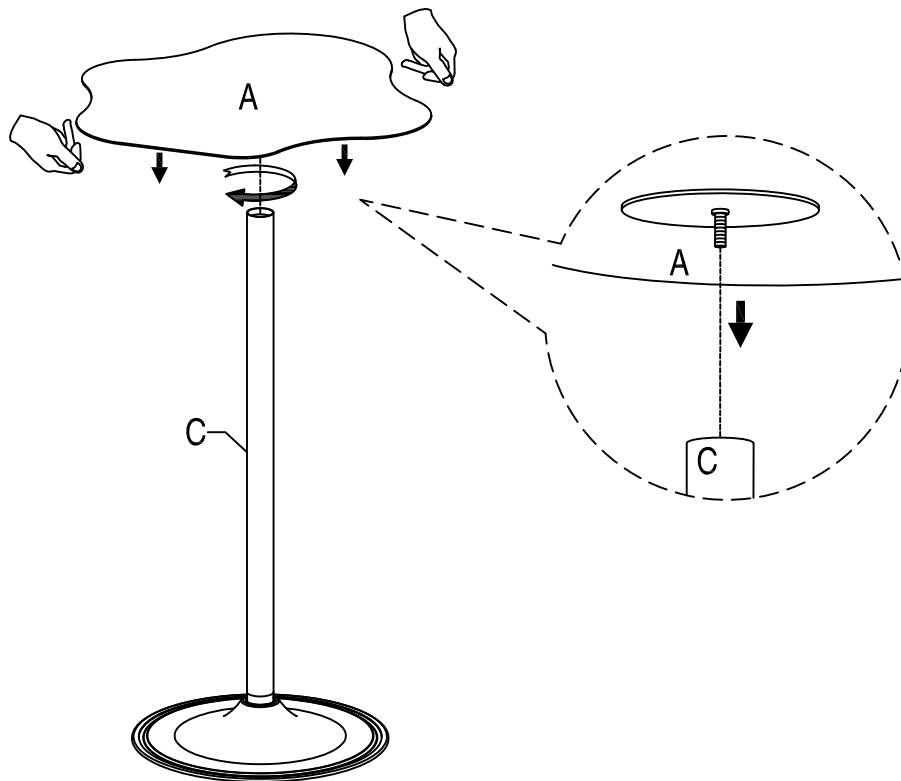
ASSEMBLY INSTRUCTIONS



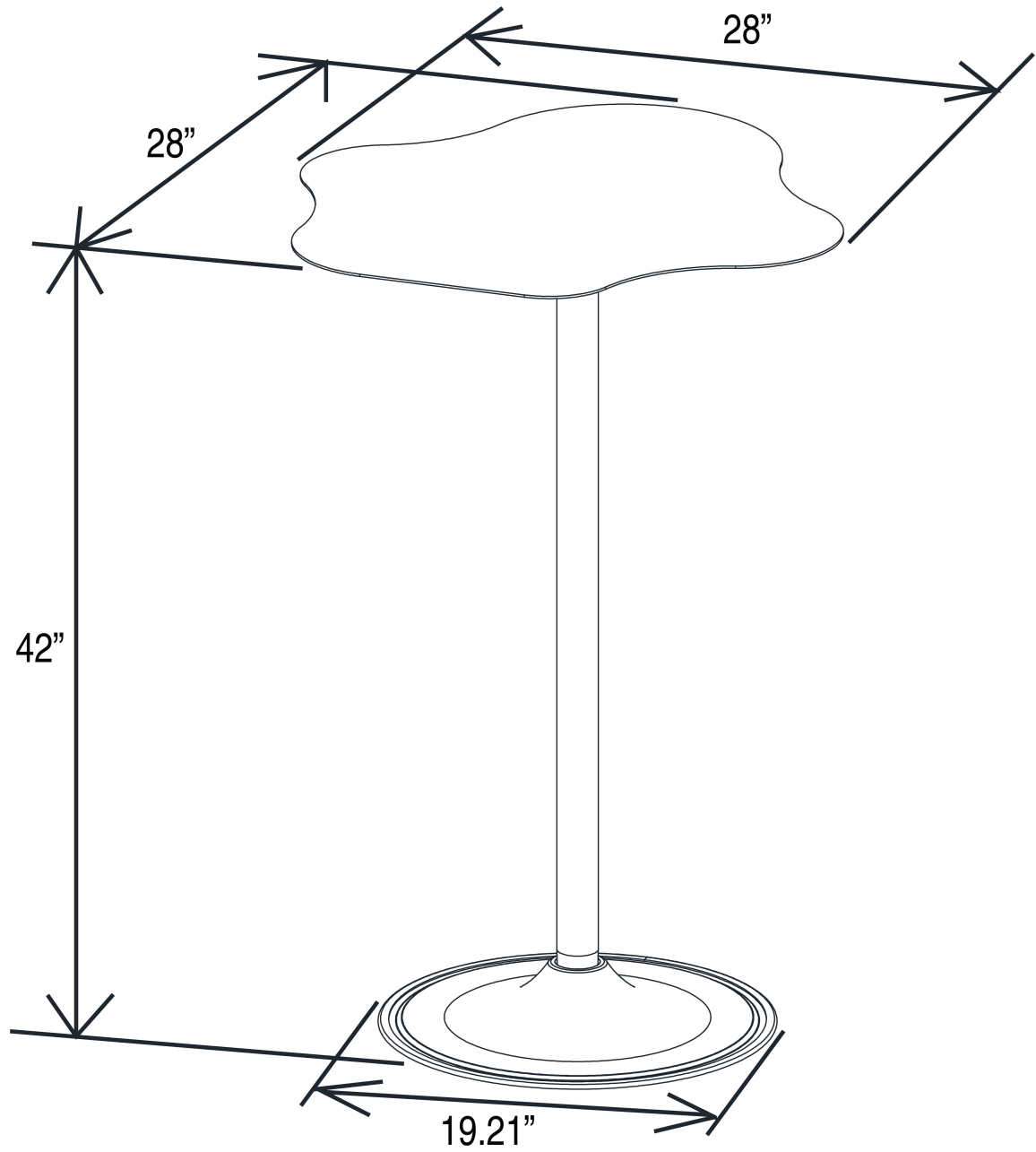
STEP 1



STEP 2



ITEM: 182230



NOTE: Dimension tolerance $\pm 5\%$