



ASSEMBLY INSTRUCTIONS COASTER FINE FURNITURE



Fine Furniture for every stage of life

509806(B1 & B2)
Sectional

REVISION 0 : 11/30/2021
REVISION 1 : 03/10/2022
REVISION 2 : 03/18/2022
REVISION 3 : 07/12/2022
REVISION 4 : 03/24/2023

PAGE 1 OF 8

COASTERFURNITURE.COM

ITEM: 509806(B1&B2)



ASSEMBLY INSTRUCTIONS

ASSEMBLY TIPS:

1. Remove hardware from box and sort by size.
2. Please check to see that all hardware and parts are present prior to start of assembly.
3. Please follow attached instructions in the same sequence as numbered to assure fast & easy assembly.



WARNING!

1. Don't attempt to repair or modify parts that are broken or defective. Please contact the store immediately.
2. This product is for home use only and not intended for commercial establishments.

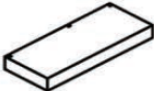
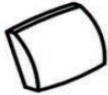




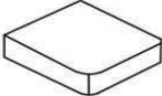



ASSEMBLY TIME

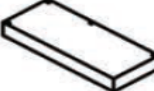





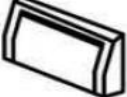

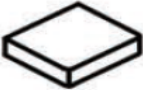



30 MINUTES

PARTS IDENTIFICATION

B1 (BOX 1)

A	SOFA SEAT FRAME		1PC	E	SOFA BACK CUSHION		2PCS
B	SOFA BACK FRAME		2PCS	F	BACK PILLOW		1PC
C	ARM FRAME		1PC	G	LEG		4PCS
D	SOFA SEAT CUSHION		2PCS	H	MIDDLE LEG		1PC

B2 (BOX 2)

I	CHAISE SEAT FRAME		1PC	O	CHAISE ARM BACK CUSHION		1PC
J	CHAISE LEFT BACK FRAME		1PC	P	CHAISE LEFT BACK CUSHION		1PC
K	CHAISE MIDDLE BACK FRAME		1PC	Q	CHAISE RIGHT BACK CUSHION		4PCS
L	CHAISE RIGHT BACK FRAME		1PC	F	BACK PILLOW		1PC
M	CHAISE LEFT SEAT CUSHION		1PC	G	LEG		4PCS
N	CHAISE RIGHT SEAT CUSHION		1PC	H	MIDDLE LEG		4PCS

ITEM: 509806(B1 & B2)



ASSEMBLY INSTRUCTIONS

ASSEMBLY TIPS:

1. Remove hardware from box and sort by size.
2. Please check to see that all hardware and parts are present prior to start of assembly.
3. Please follow attached instructions in the same sequence as numbered to assure fast & easy assembly.








WARNING!



1. Don't attempt to repair or modify parts that are broken or defective. Please contact the store immediately.
2. This product is for home use only and not intended for commercial establishments.

HARDWARE IDENTIFICATION

Z-B1 (BOX 1) - HARDWARE PACK IS LOCATED IN 509806 (B1)

1	SHORT BOLT (35mm - RBW)		12PCS	4	CONNECTOR		2PCS
2	LONG BOLT (75mm - RBW)		4PCS	5	ALLEN WRENCH (75mm - BLK)		1PC
3	FLAT WASHER (75mm - RBW)		4PCS				4PCS
							1PC

Z-B2 (BOX 2) - HARDWARE PACK IS LOCATED IN 509806 (B2)

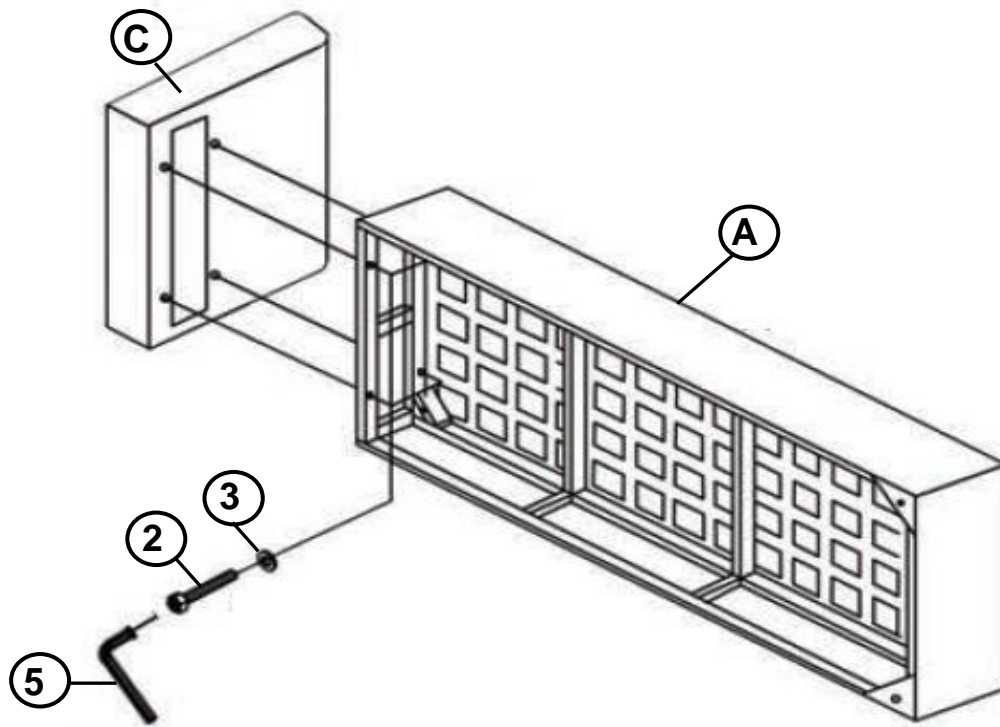
1	SHORT BOLT (35mm - RBW)		12PCS	5	ALLEN WRENCH (75mm - BLK)		1PC
---	-----------------------------------	---	-------	---	-------------------------------------	---	-----

ITEM: **509806(B1&B2)**

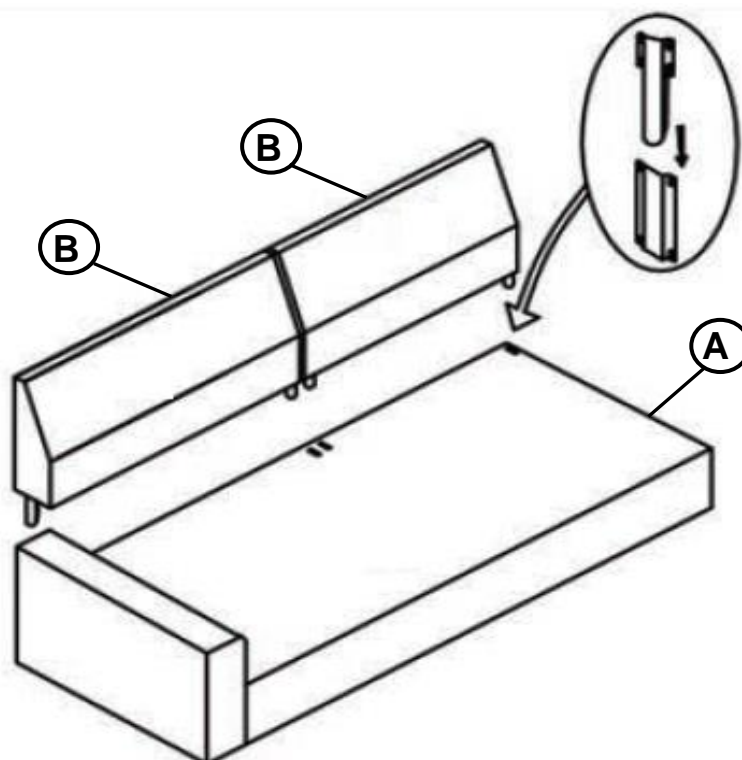


ASSEMBLY INSTRUCTIONS

STEP 1



STEP 2

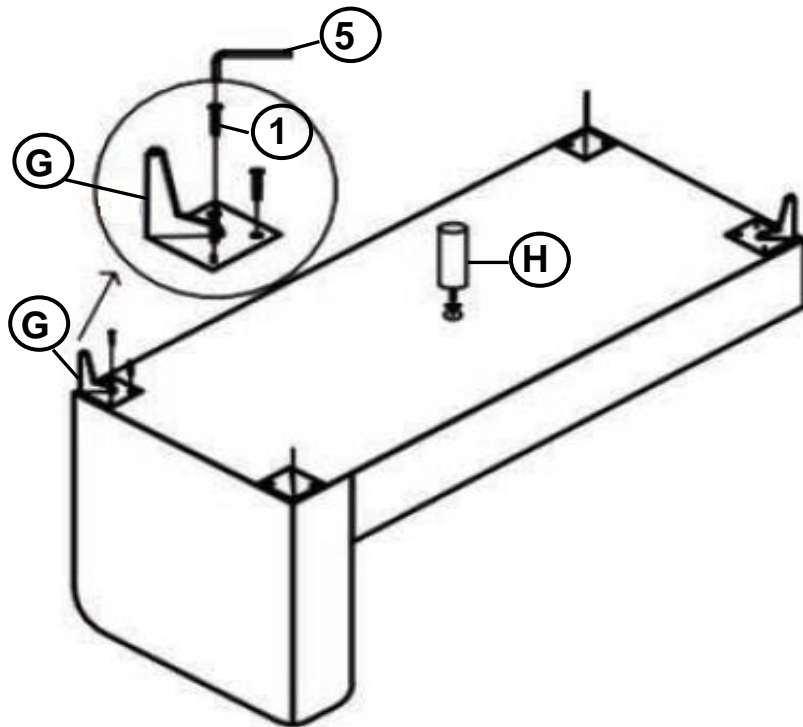


ITEM: **509806(B1&B2)**

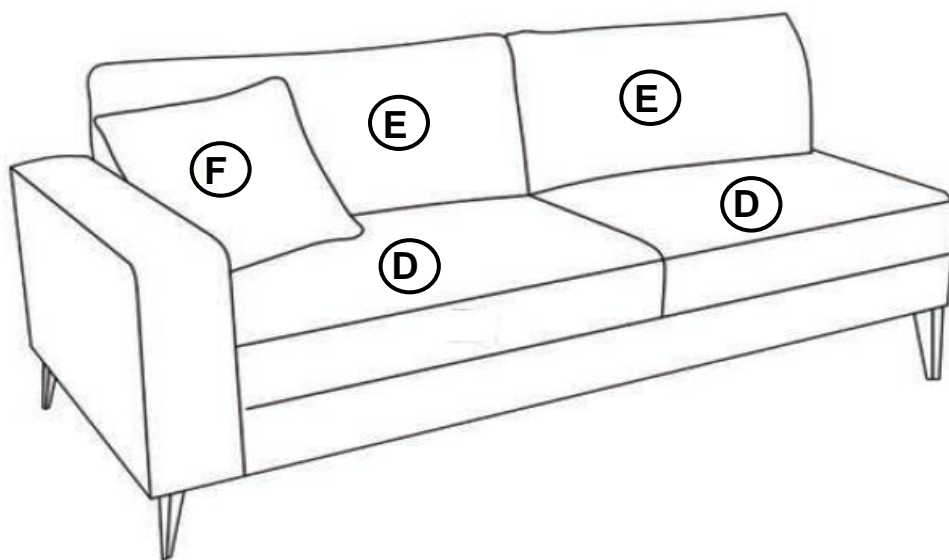


ASSEMBLY INSTRUCTIONS

STEP 3



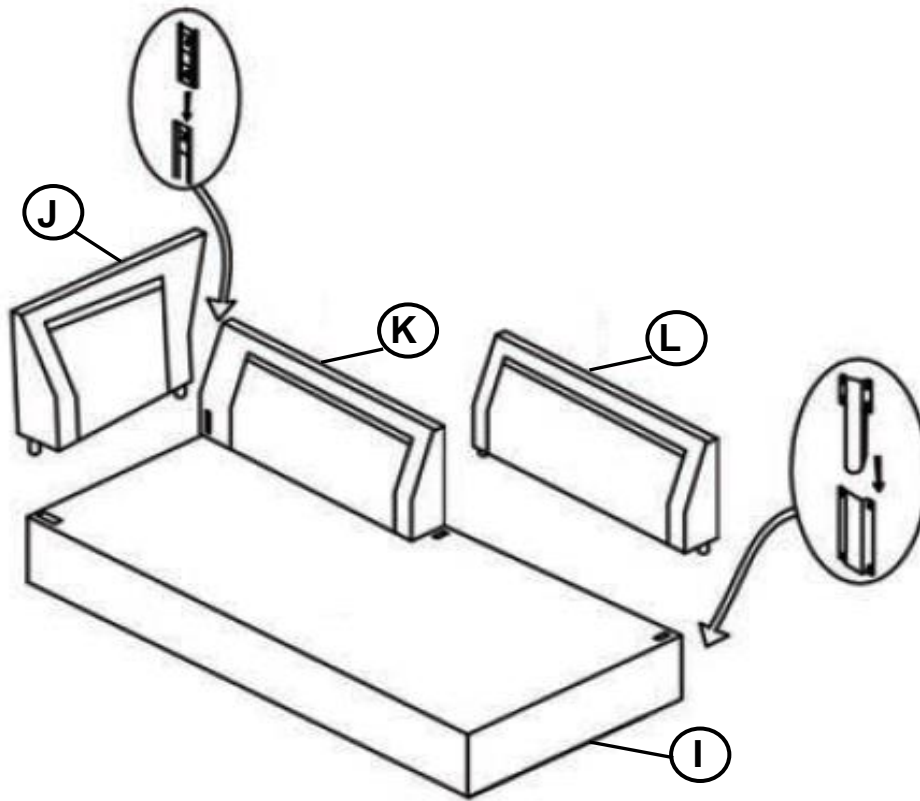
STEP 4



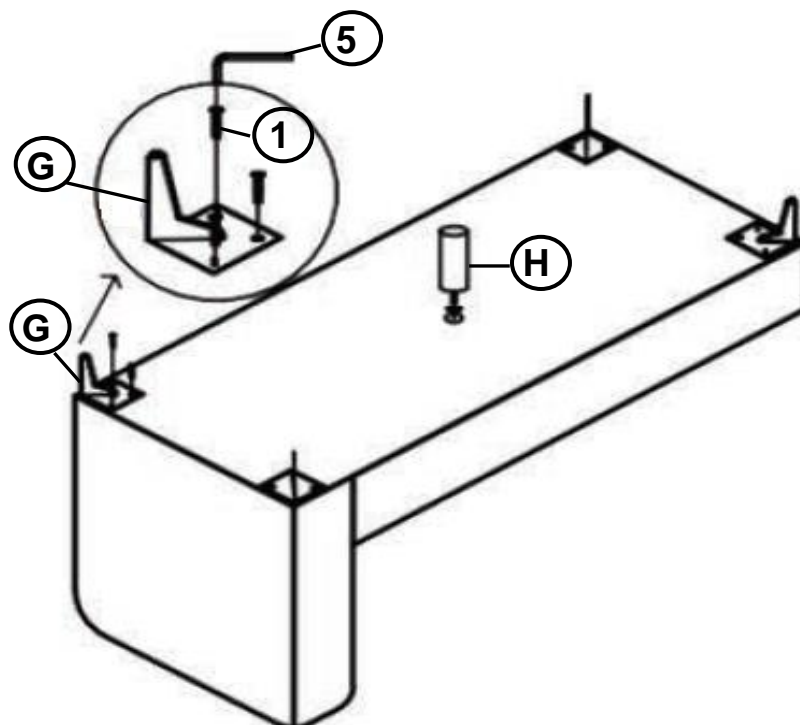
ITEM: **509806(B1&B2)**



ASSEMBLY INSTRUCTIONS
STEP 5



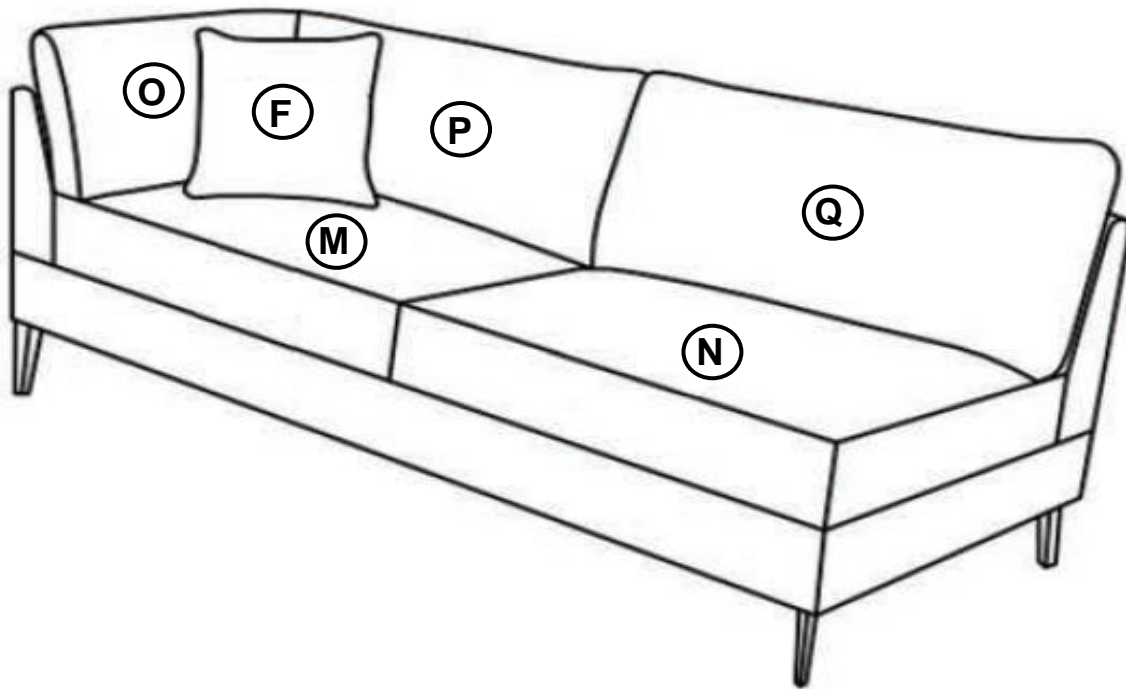
STEP 6



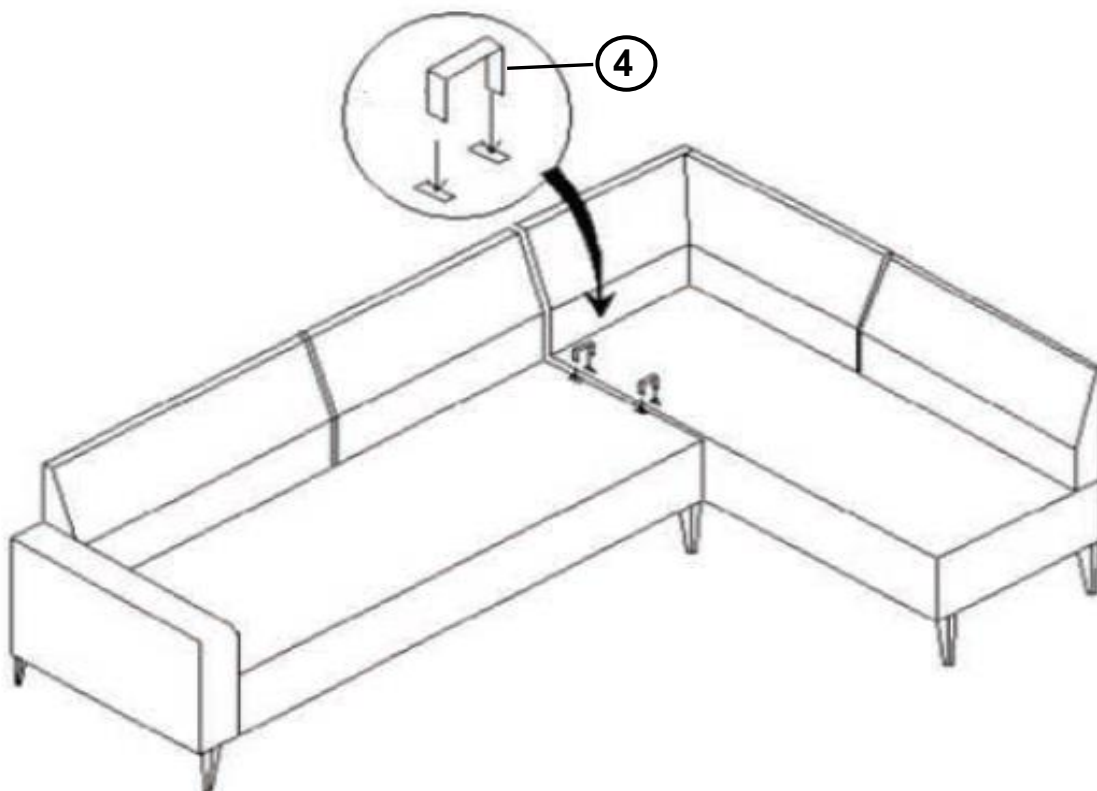
ITEM: **509806(B1&B2)**



ASSEMBLY INSTRUCTIONS
STEP 7



STEP 8



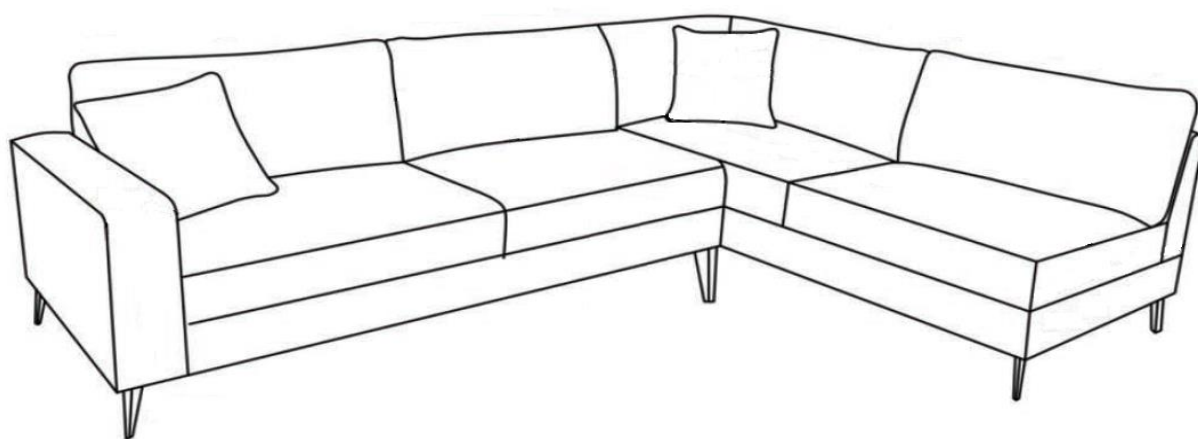
ITEM: **509806(B1&B2)**



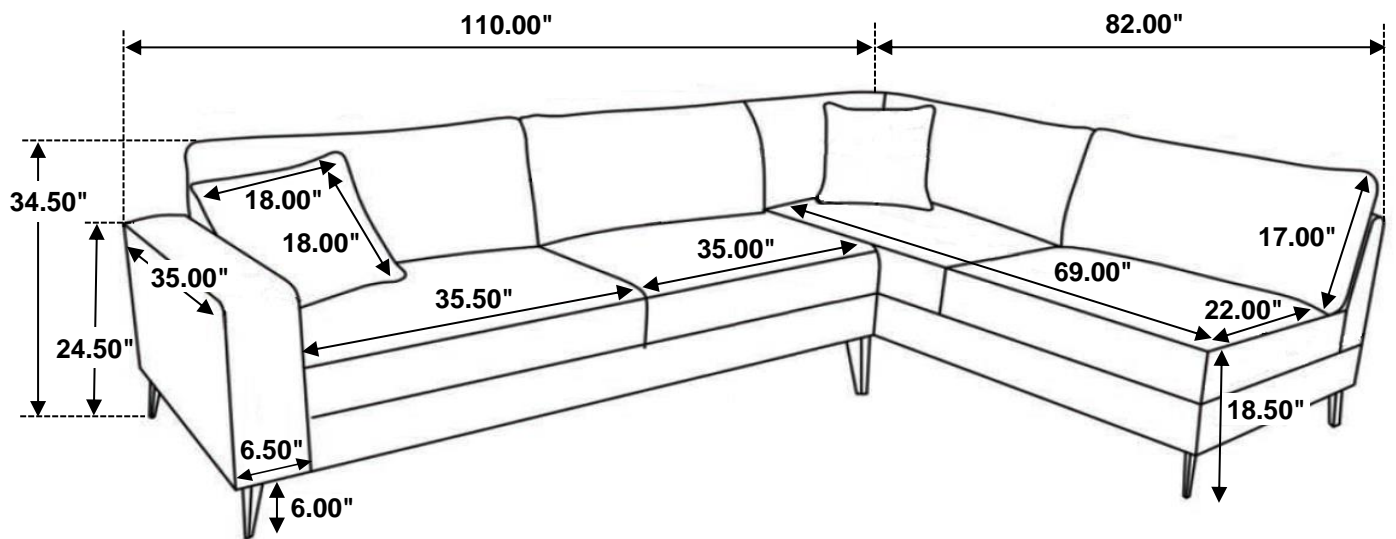
ASSEMBLY INSTRUCTIONS

STEP 9

COMPLETE



ITEM: **509806(B1&B2)**



Note: Dimension tolerance $\pm 5\%$