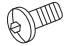



ITEM:705618

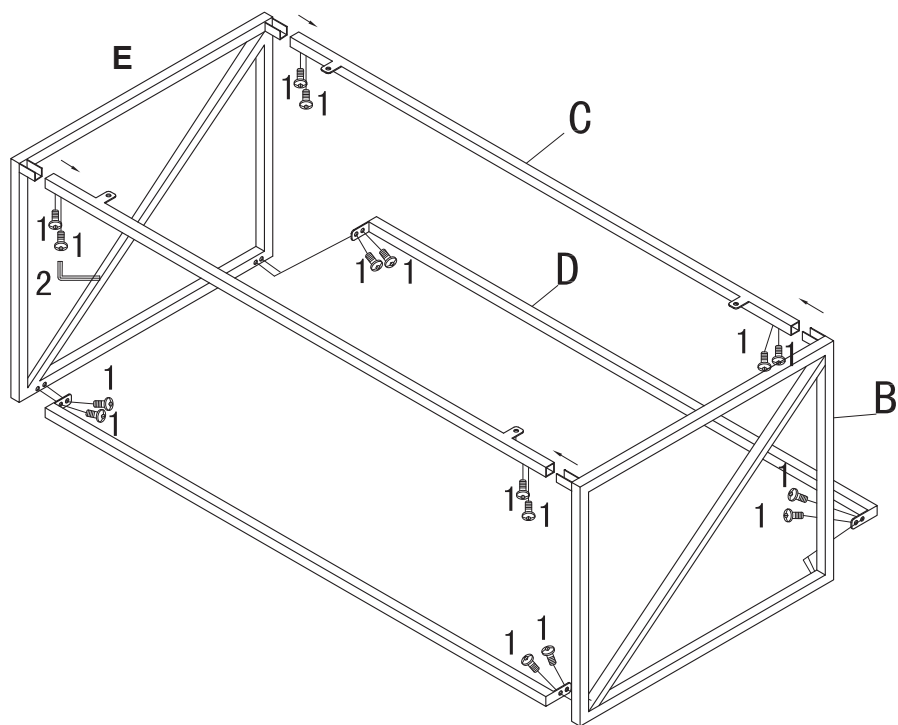


HARDWARE IDENTIFICATION

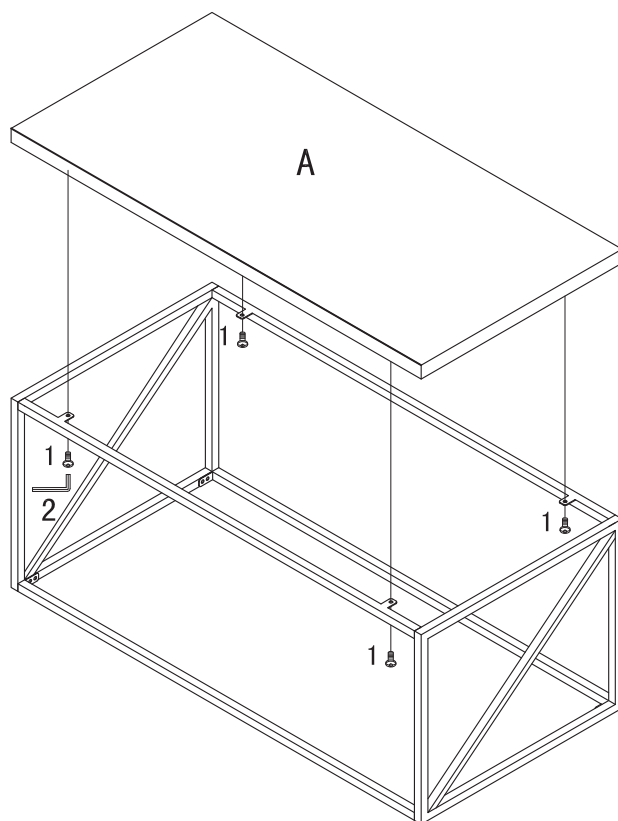
	DESCRIPTION	FIGURE	Q'TY
1	Short Bolt (M6x12MM)		20 PCS
2	Allen wrench (M4)		1 PC

ITEM:705618

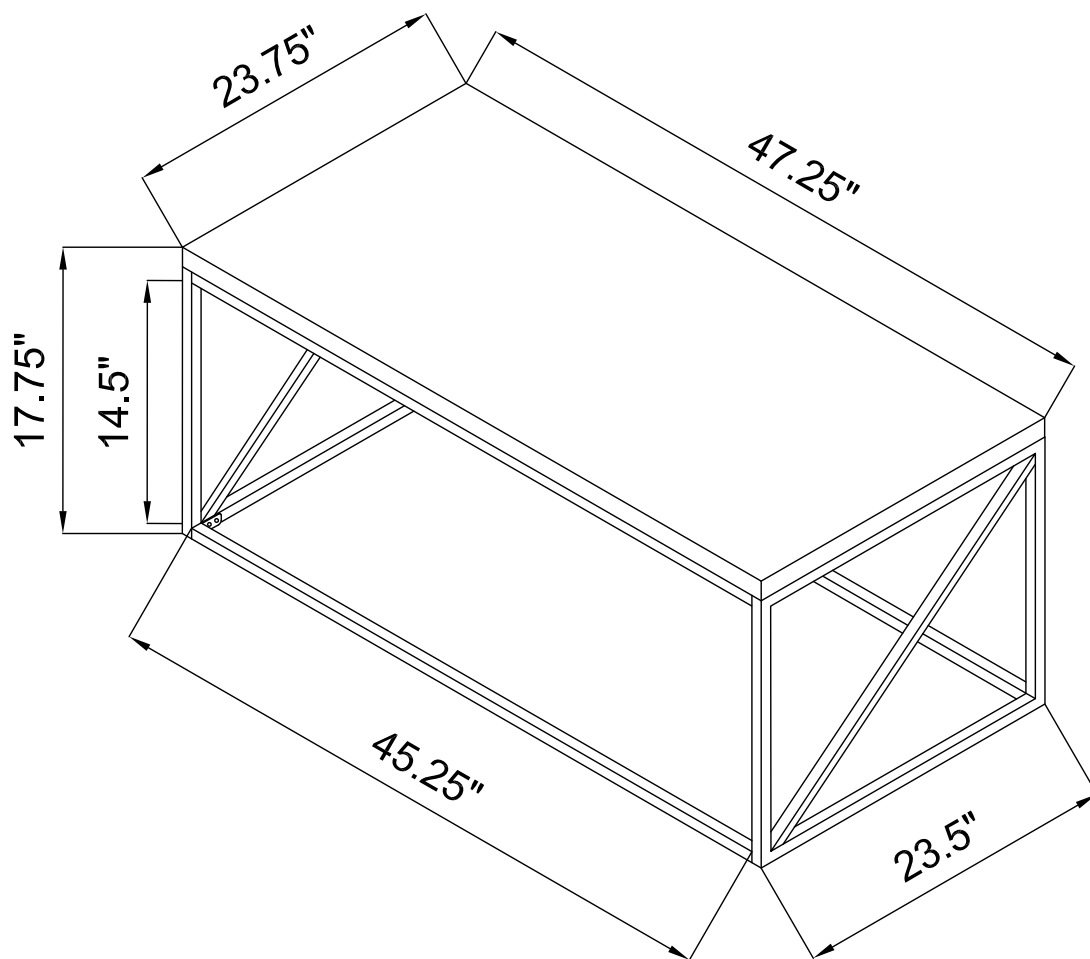
ASSEMBLY INSTRUCTIONS
STEP 1



STEP 2



ITEM: 705618



Note: Dimension tolerance $\pm 5\%$