



ASSEMBLY INSTRUCTIONS
COASTER FINE FURNITURE



Fine Furniture for every stage of life

REVISION 0 : 10/23/2021

REVISION 1 : 8/15/2022

PAGE 1 OF 4

801426
OFFICE CHAIR

COASTERFURNITURE.COM

ITEM: **801426**



ASSEMBLY INSTRUCTIONS

ASSEMBLY TIPS:

1. Remove hardware from box and sort by size.
2. Please check to see that all hardware and parts are present prior to start of assembly.
3. Please follow attached instructions in the same sequence as numbered to assure fast & easy assembly.



WARNING!

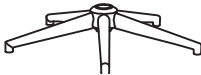


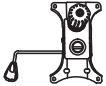

1. Don't attempt to repair or modify parts that are broken or defective. Please contact the store immediately.
2. This product is for home use only and not intended for commercial establishments.



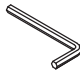
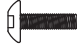

ASSEMBLY TIME

10 MINUTES

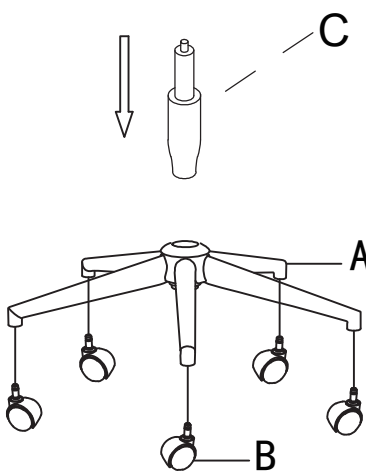
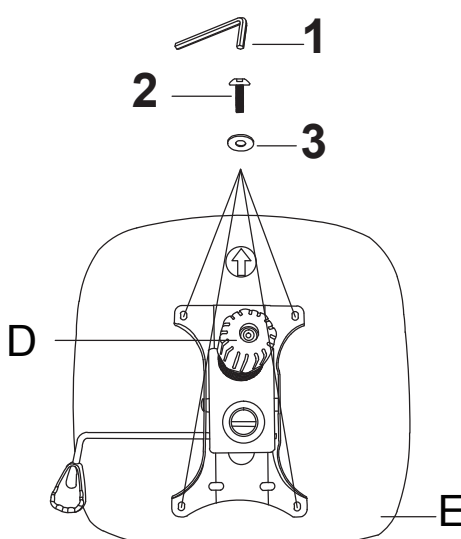
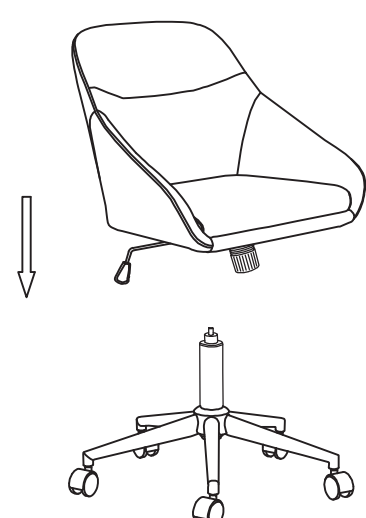

PARTS IDENTIFICATION

A	BASE		1PCS
B	CASTER		5PCS
C	GAS CYLINDER		1PC
D	ADJUSTING PLATE		1PC
E	SEAT AND BACK		1PC

Z HARDWARE IDENTIFICATION

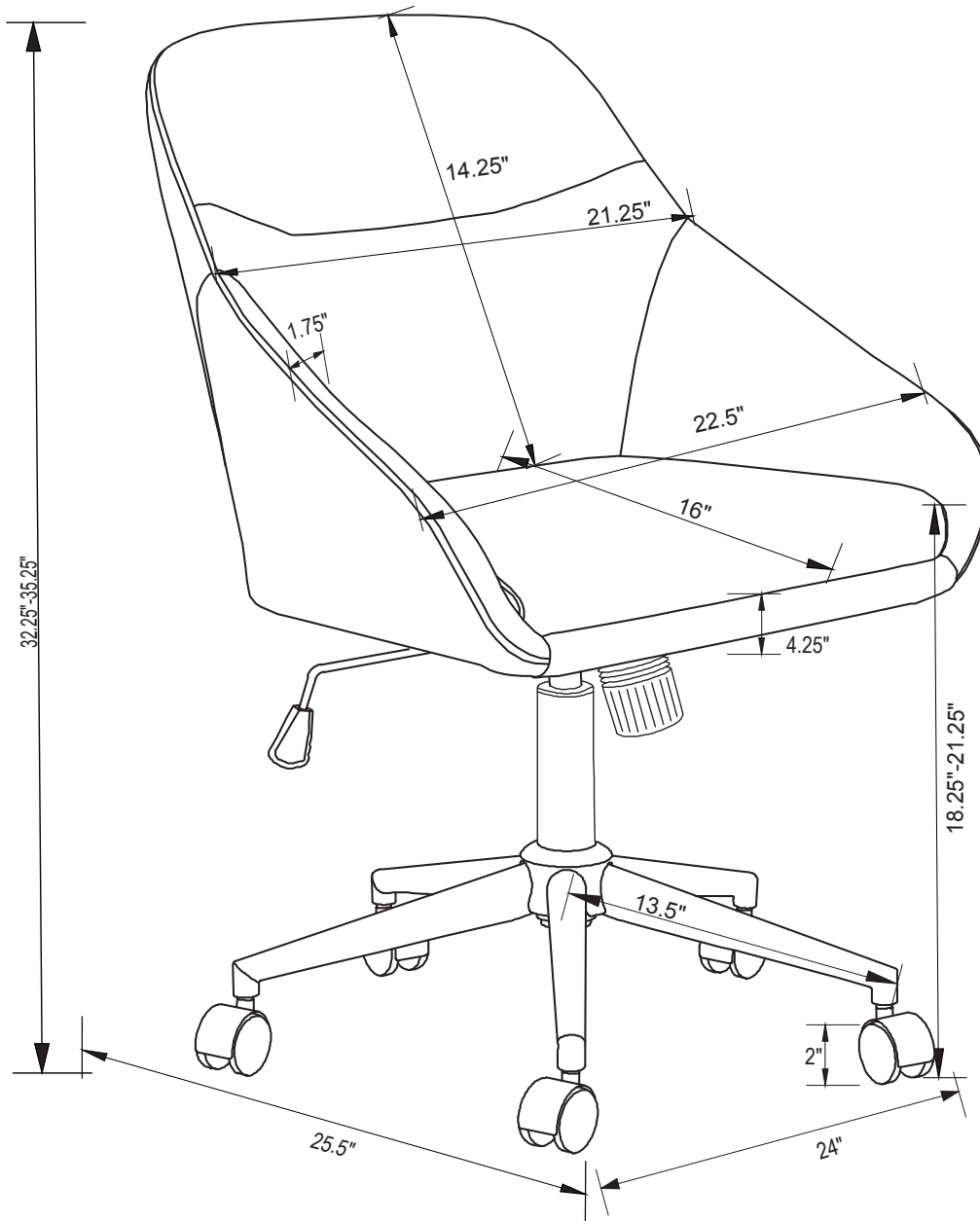
1	ALLEN WRENCH (M6)		1PC
2	BOLT (M6 x 20mm)		4PCS
3	WASHER (φ 6 x φ 18mm)		4PCS

ASSEMBLY INSTRUCTIONS

<p>STEP 1</p> 	<p>STEP 2</p> 
<p>STEP 3</p> 	<p>STEP 4</p> 

ITEM: 801426

ASSEMBLY INSTRUCTIONS



Note : Dimension tolerance $\pm 5\%$