



ASSEMBLY INSTRUCTIONS
COASTER FINE FURNITURE



Fine Furniture for every stage of life

905739

**SWIVEL ACCENT
CHAIR**

REVISION 0 :07/11/2021
REVISION 1 :07/20/2022

PAGE 1 OF 4

COASTERFURNITURE.COM

ITEM:905739



ASSEMBLY INSTRUCTIONS

ASSEMBLY TIPS:

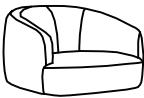



1. Remove hardware from box and sort by size.
2. Please check to see that all hardware and parts are present prior to start of assembly.
3. Please follow attached instructions in the same sequence as numbered to assure fast & easy assembly.



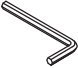
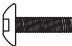
WARNING!

1. Don't attempt to repair or modify parts that are broken or defective. Please contact the store immediately.
2. This product is for home use only and not intended for commercial establishments.

PARTS IDENTIFICATION

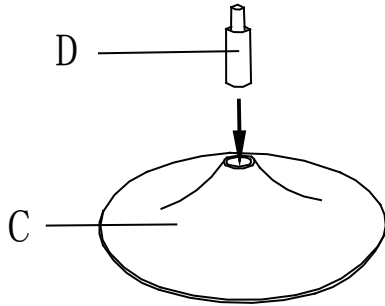
	PART NAME	FIGURE	QTY
A	SEAT AND BACK		1PC
B	SEAT PLATE		1PC
C	BASE		1PC
D	GAS LIFT		1PC

HARDWARE IDENTIFICATION

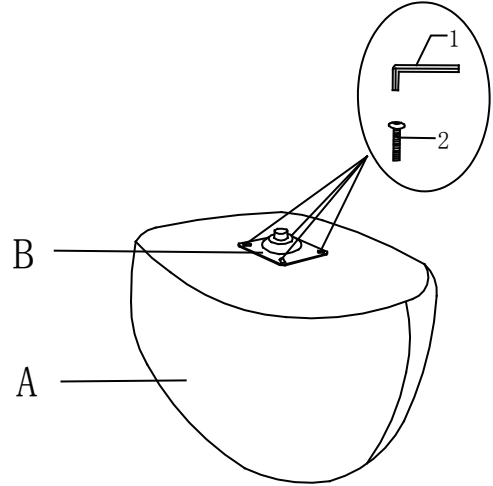
	PART NAME	FIGURE	QTY
1	ALLEN WRENCH (M6)		1PC
2	BOLT (M6 x 55mm)		4PCS

ASSEMBLY INSTRUCTIONS

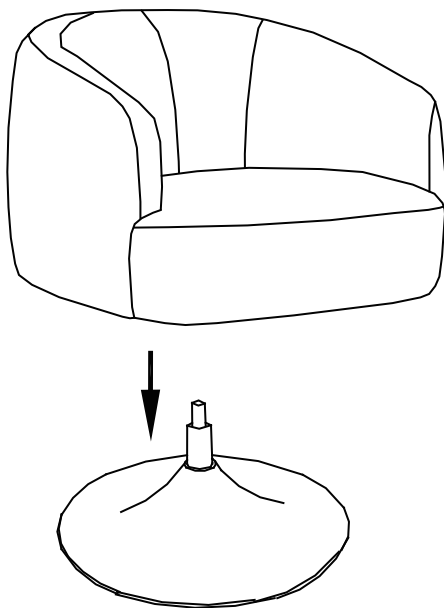
STEP 1



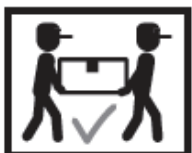
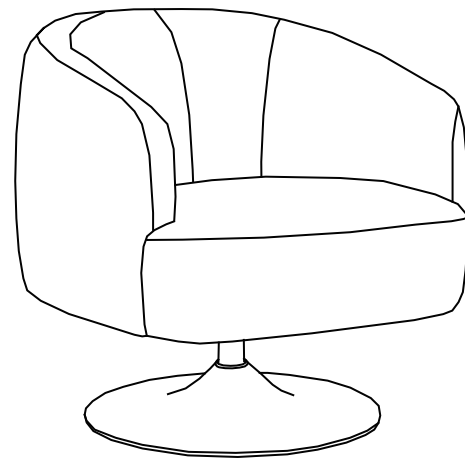
STEP 2

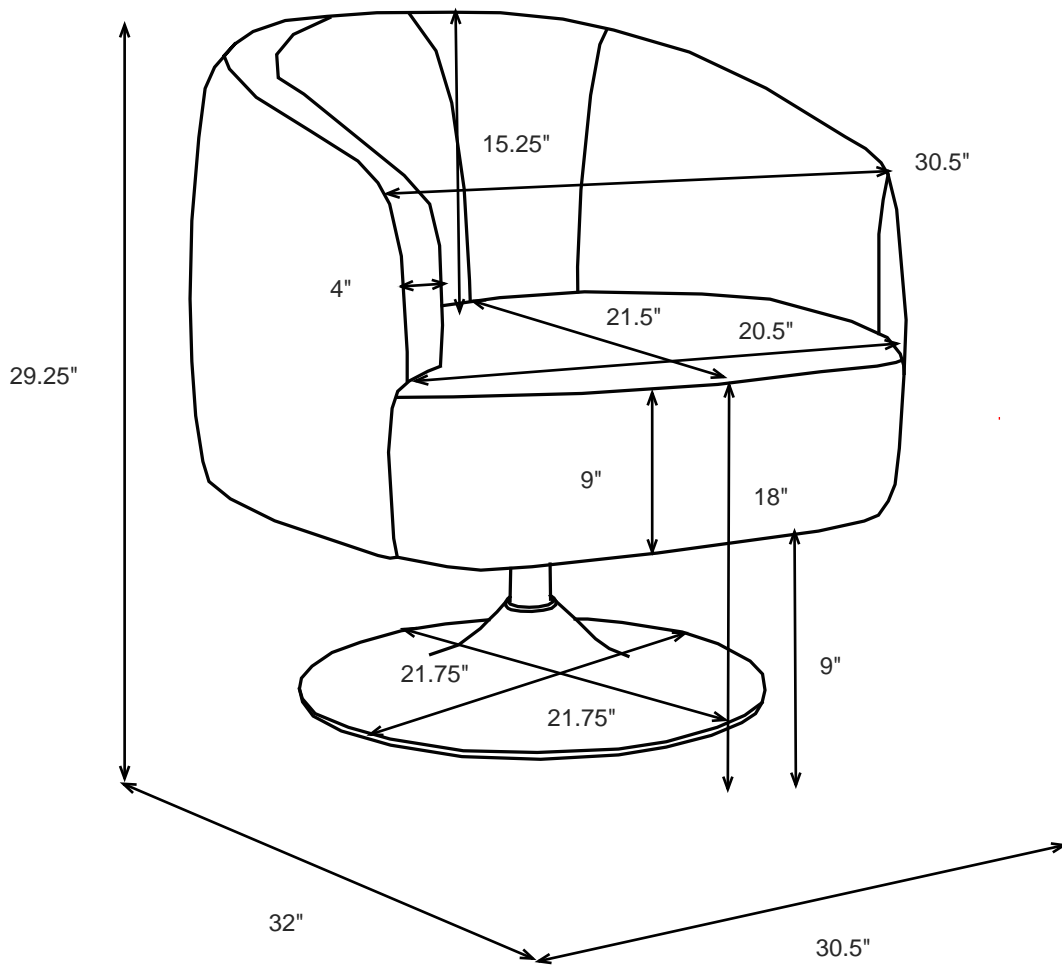


STEP 3



STEP 4





Note : Dimension tolerance $\pm 5\%$