



ASSEMBLY INSTRUCTIONS
COASTER FINE FURNITURE



Fine Furniture for every stage of life

REVISION 0 :07/11/2021
REVISION 1 :07/20/2022

PAGE 1 OF 4

909466

ACCENT CHAIR

COASTERFURNITURE.COM

ITEM:909466

ASSEMBLY INSTRUCTIONS



ASSEMBLY TIPS

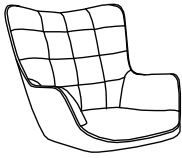
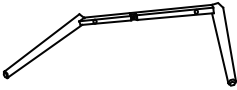
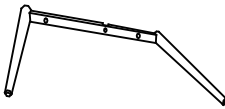
1. Remove hardware from box and sort by size.
2. Please check to see that all hardware and parts are present prior to start of assembly.
3. Please follow attached instructions in the same sequence as numbered to assure fast & easy assembly.







WARNING!

1. Don't attempt to repair or modify parts that are broken or defective. Please contact the store immediately.
2. This product is for home use only and not intended for commercial establishments.

PARTS IDENTIFICATION

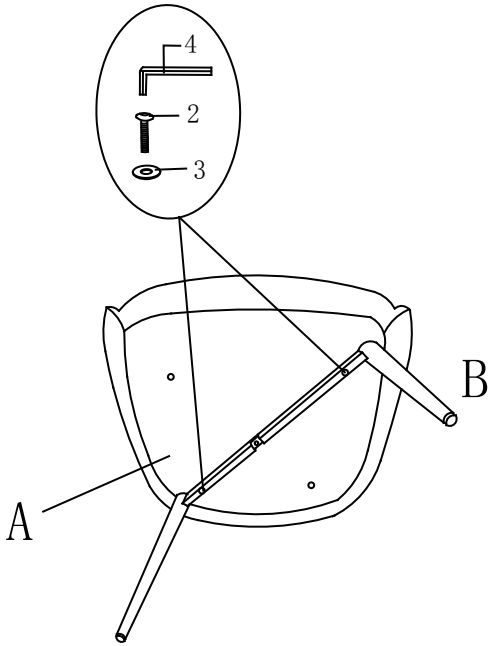
	PART NAME	FIGURE	QTY
A	SEAT AND BACK		1PC
B	UPPER LEG		1PC
C	LOWER LEG		1PC

HARDWAERE IDENTIFICATION

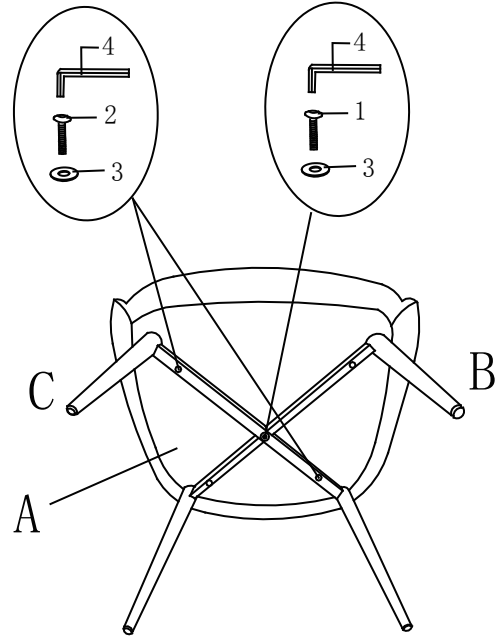
	PART NAME	FIGURE	QTY
1	BOLT (M6 x 30mm)		1PC
2	BOLT (M6 x 45mm)		4PCS
3	WASHER (φ 6 x φ 18mm)		5PCS
4	ALLEN KEY (M6)		1PC

ASSEMBLY INSTRUCTIONS

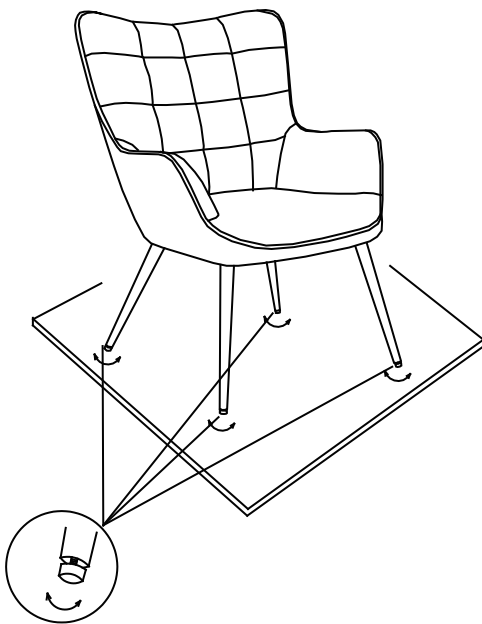
STEP 1



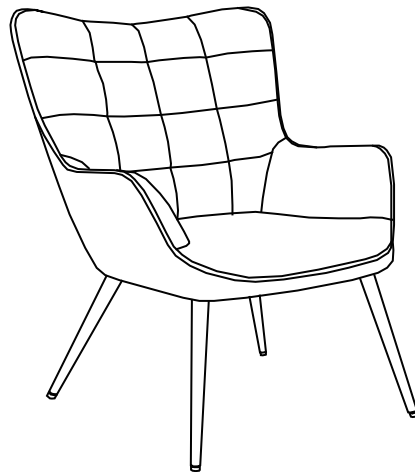
STEP 2

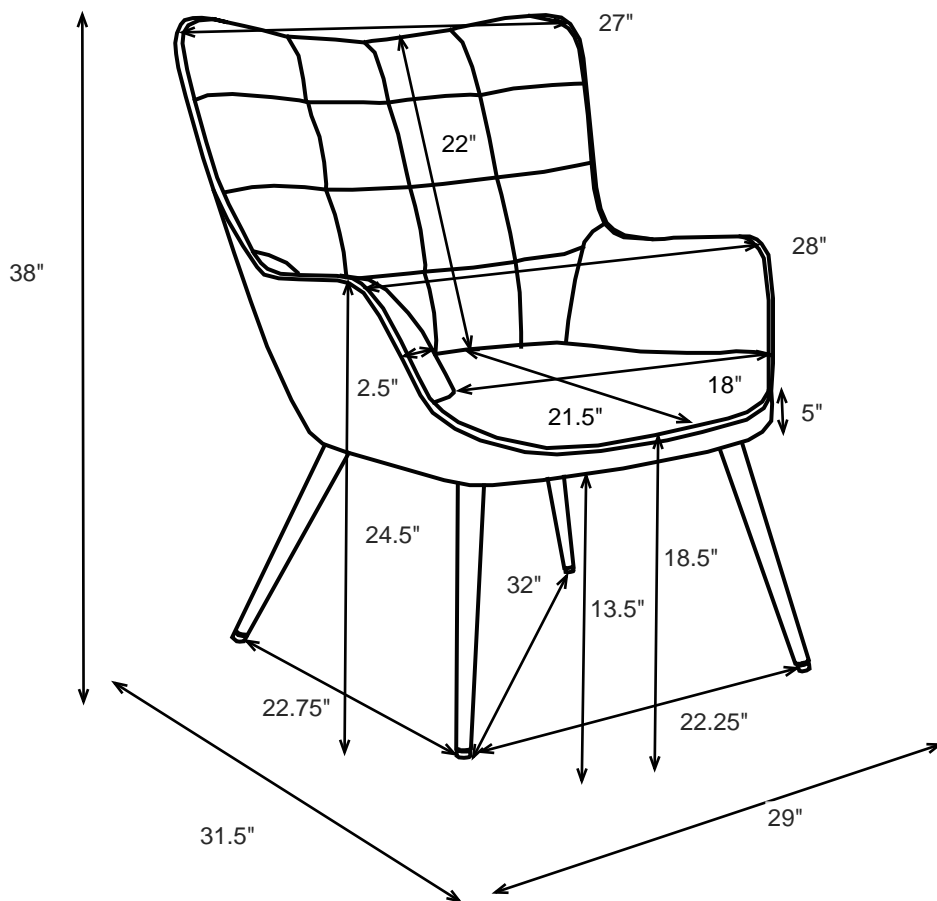


STEP 3



STEP 4





Note : Dimension tolerance $\pm 5\%$