



**ASSEMBLY INSTRUCTIONS**  
**COASTER FINE FURNITURE**



*Fine Furniture for every stage of life*

**909468**

**ACCENT CHAIR**

REVISION 0 :07/11/2021  
REVISION 1 :07/20/2022

**PAGE 1 OF 4**

[COASTERFURNITURE.COM](http://COASTERFURNITURE.COM)

# ITEM:909468

## ASSEMBLY INSTRUCTIONS



### ASSEMBLY TIPS

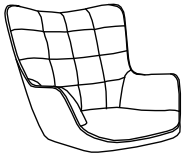
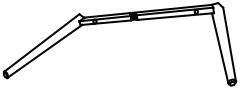
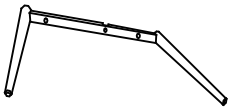
1. Remove hardware from box and sort by size.
2. Please check to see that all hardware and parts are present prior to start of assembly.
3. Please follow attached instructions in the same sequence as numbered to assure fast & easy assembly.







#### WARNING!

1. Don't attempt to repair or modify parts that are broken or defective. Please contact the store immediately.
2. This product is for home use only and not intended for commercial establishments.

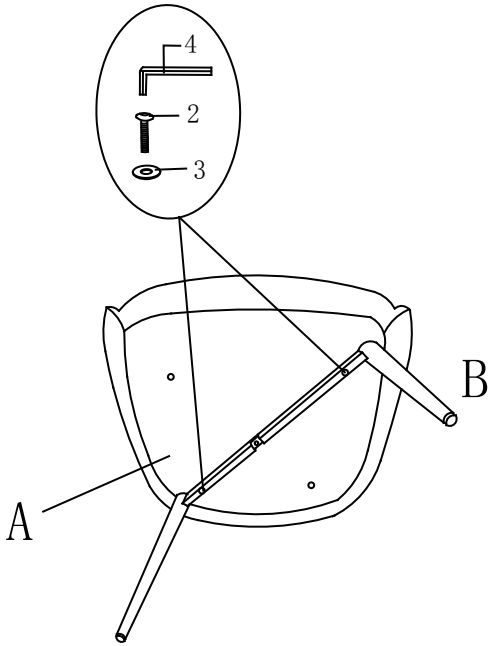
### PARTS IDENTIFICATION

	PART NAME	FIGURE	QTY
A	SEAT AND BACK		1PC
B	UPPER LEG		1PC
C	LOWER LEG		1PC

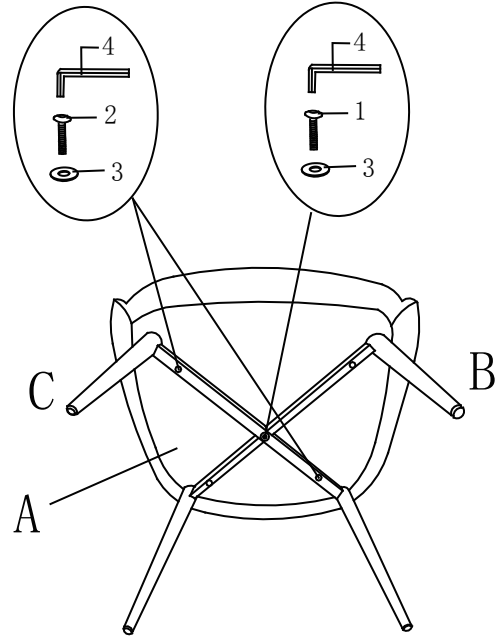
### HARDWAERE IDENTIFICATION

	PART NAME	FIGURE	QTY
1	BOLT (M6 x 30mm)		1PC
2	BOLT (M6 x 45mm)		4PCS
3	WASHER (φ 6 x φ 18mm)		5PCS
4	ALLEN KEY (M6)		1PC

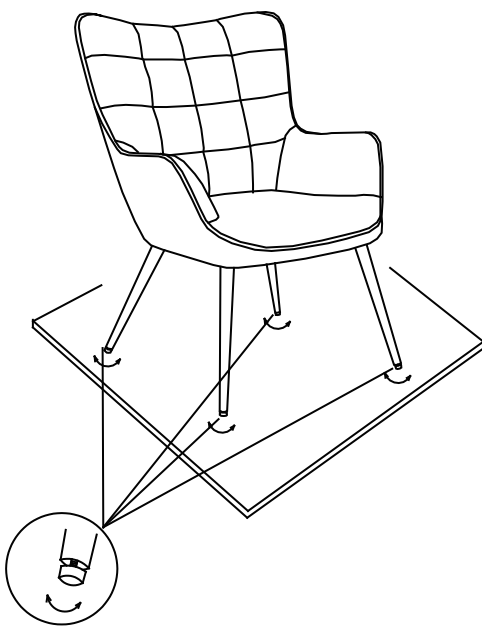
STEP 1



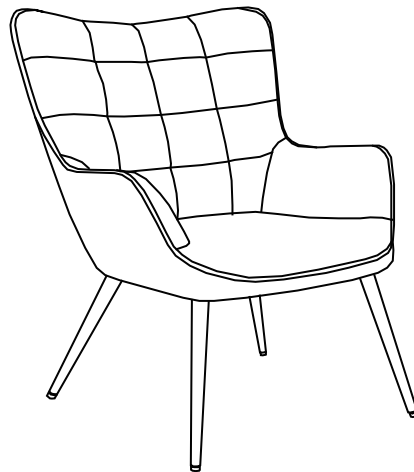
STEP 2

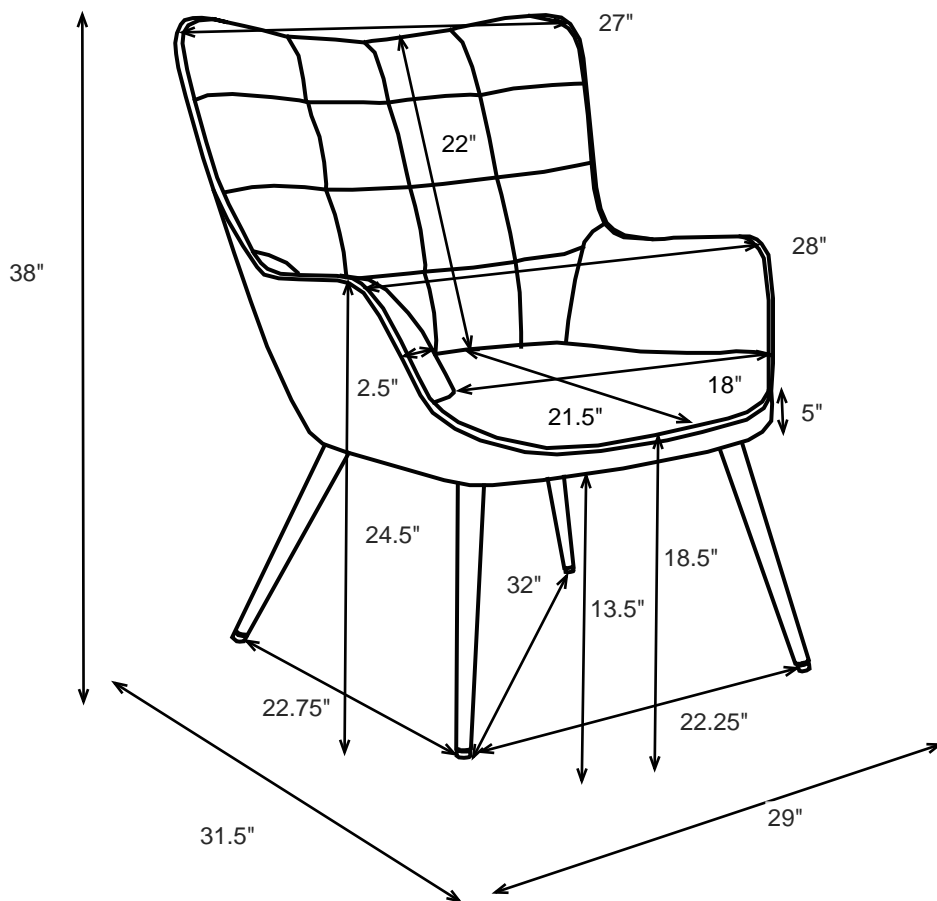


STEP 3



STEP 4





**Note** : Dimension tolerance  $\pm 5\%$