



ASSEMBLY INSTRUCTIONS
COASTER FINE FURNITURE



Fine Furniture for every stage of life

107552
Dining Side Chair

ITEM: **107552**



ASSEMBLY INSTRUCTIONS

ASSEMBLY TIPS:

1. Remove hardware from box and sort by size.
2. Please check to see that all hardware and parts are present prior to start of assembly.
3. Please follow attached instructions in the same sequence as numbered to assure fast & easy assembly.



WARNING!

1. Don't attempt to repair or modify parts that are broken or defective. Please contact the store immediately.
2. This product is for home use only and not intended for commercial establishments.

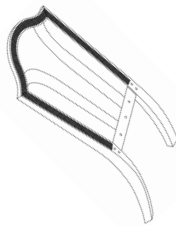


ASSEMBLY TIME

5 MINUTES

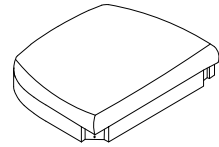
PARTS IDENTIFICATION

A BACK FRAME



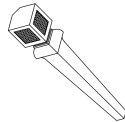
1PC

B SEAT CUSHION WITH FRAME



1PC

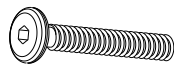
C FRONT LEG



2PCS

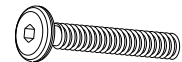
HARDWARE IDENTIFICATION

1 SHORT BOLT
(Φ 5/16" x 50mm - RBW)



5PCS

2 LONG BOLT
(Φ 5/16" x 70mm - RBW)



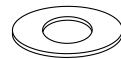
4PCS

3 LOCK WASHER
(Φ 5/16" - RBW)



9PCS

4 FLAT WASHER
(Φ 5/16" - RBW)



9PCS

5 ALLEN WRENCH
(4MM - RBW)

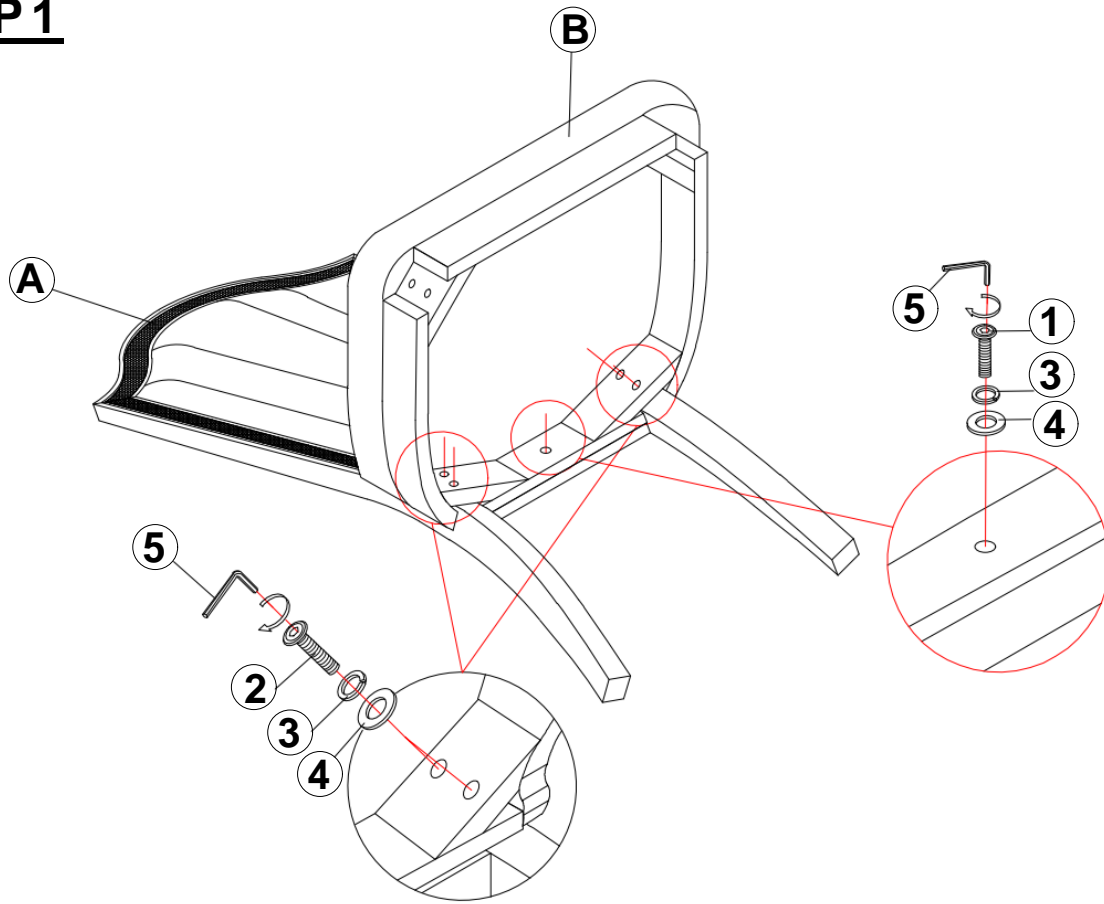


1PC

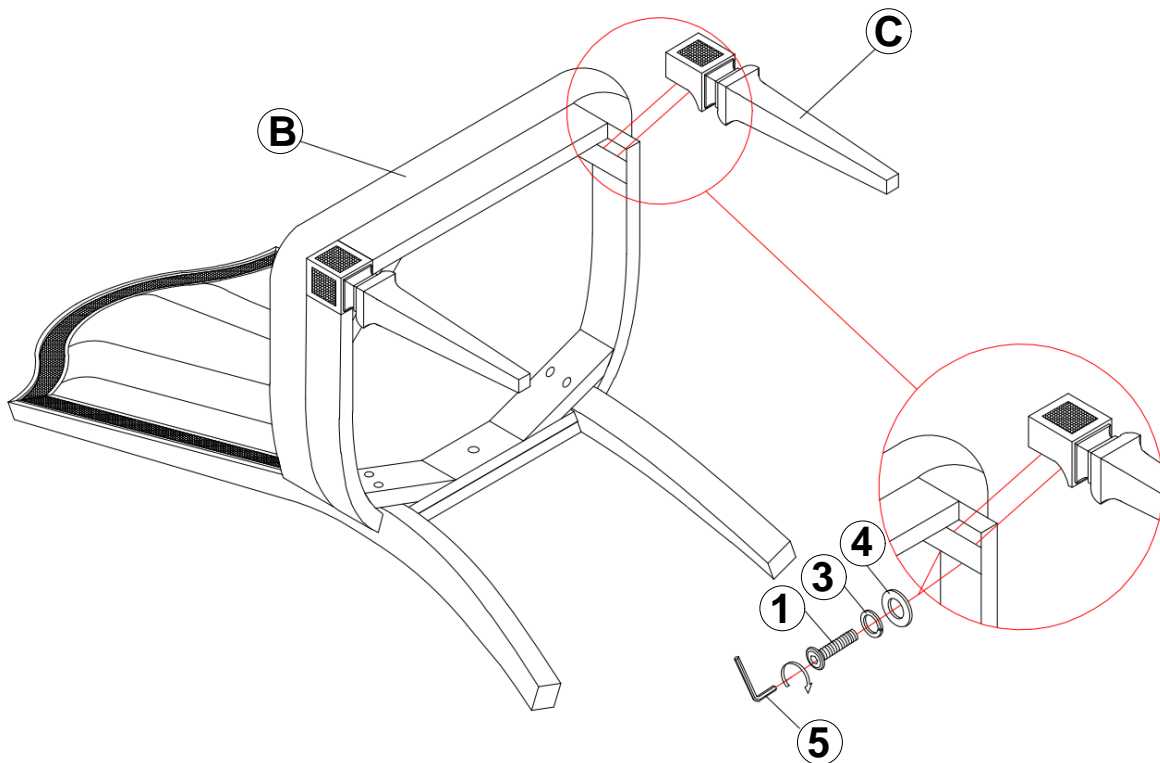
ITEM: **107552**

ASSEMBLY INSTRUCTIONS

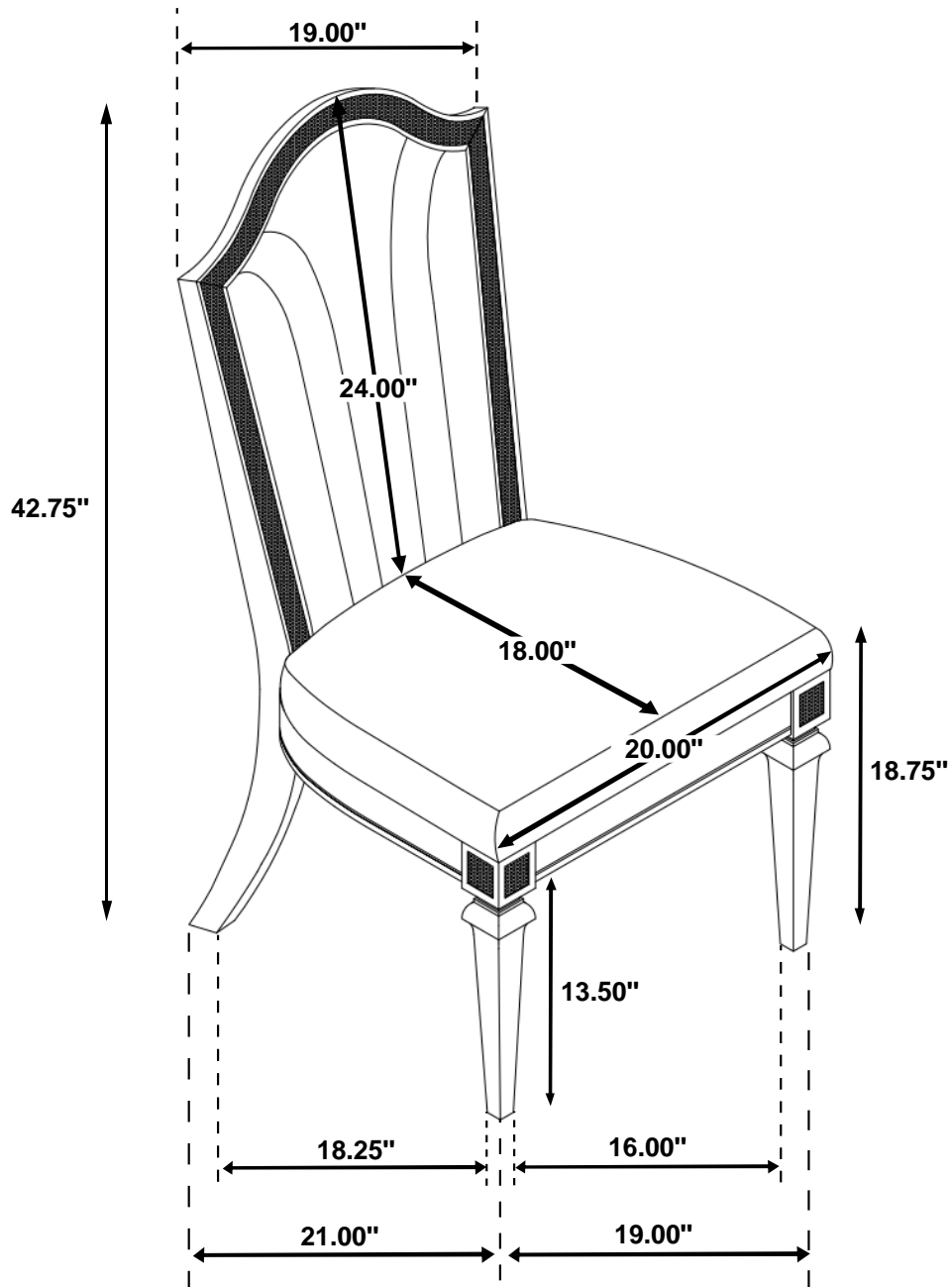
STEP 1



STEP 2



ITEM: 107552



Note: Dimension tolerance $\pm 5\%$