



*ASSEMBLY INSTRUCTIONS
COASTER FINE FURNITURE*



Fine Furniture for every stage of life

650354
Motion Sofa

REVISION 0 : 12/30/2019
REVISION 1 : 03/29/2023

PAGE 1 OF 3

COASTERFURNITURE.COM

ITEM: **650354**



ASSEMBLY INSTRUCTIONS

ASSEMBLY TIPS:

1. Remove hardware from box and sort by size.
2. Please check to see that all hardware and parts are present prior to start of assembly.
3. Please follow attached instructions in the same sequence as numbered to assure fast & easy assembly.



WARNING!

1. Don't attempt to repair or modify parts that are broken or defective. Please contact the store immediately.
2. This product is for home use only and not intended for commercial establishments.



ASSEMBLY TIME

10 MINUTES

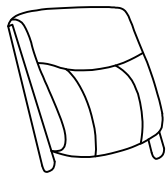
PARTS IDENTIFICATION

A LEFT BACK



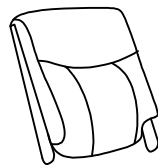
1PC

B RIGHT BACK



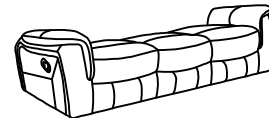
1PC

C MIDDLE BACK



1PC

D BASE



1PC

E LEFT EAR



1PC

F RIGHT EAR



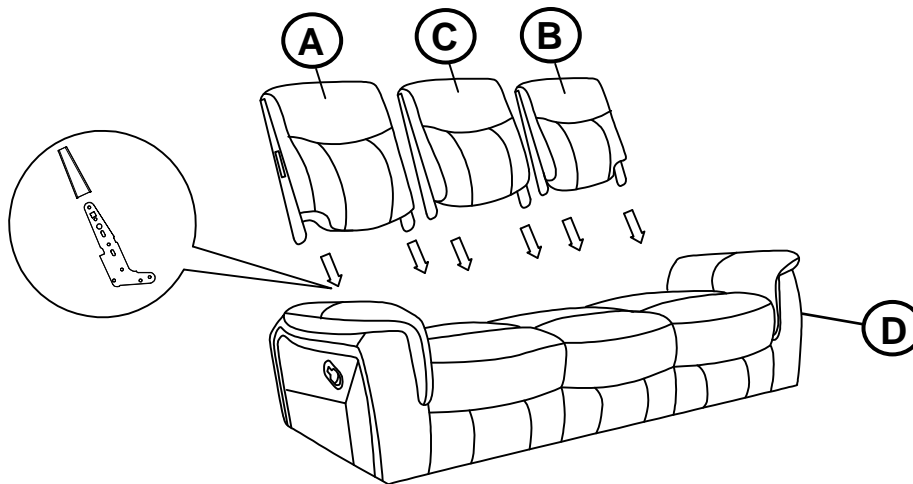
1PC

ITEM: **650354**

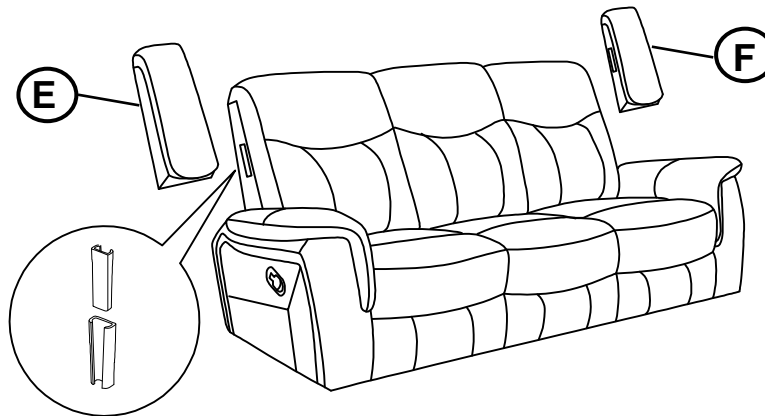


ASSEMBLY INSTRUCTIONS

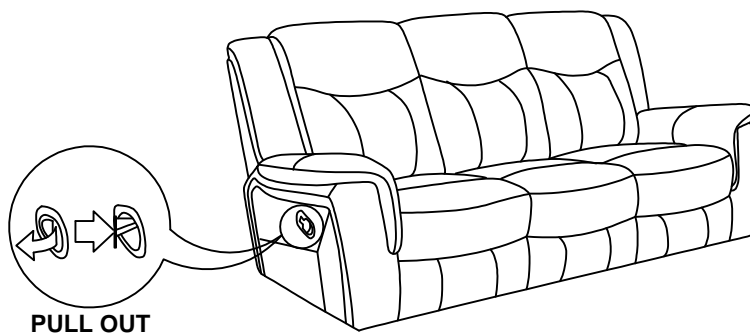
STEP 1



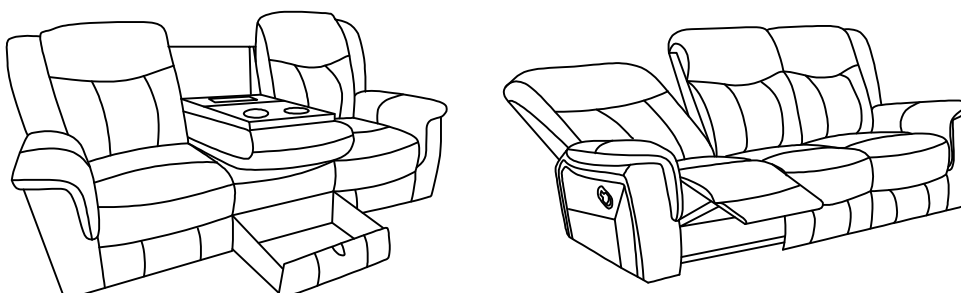
STEP 2



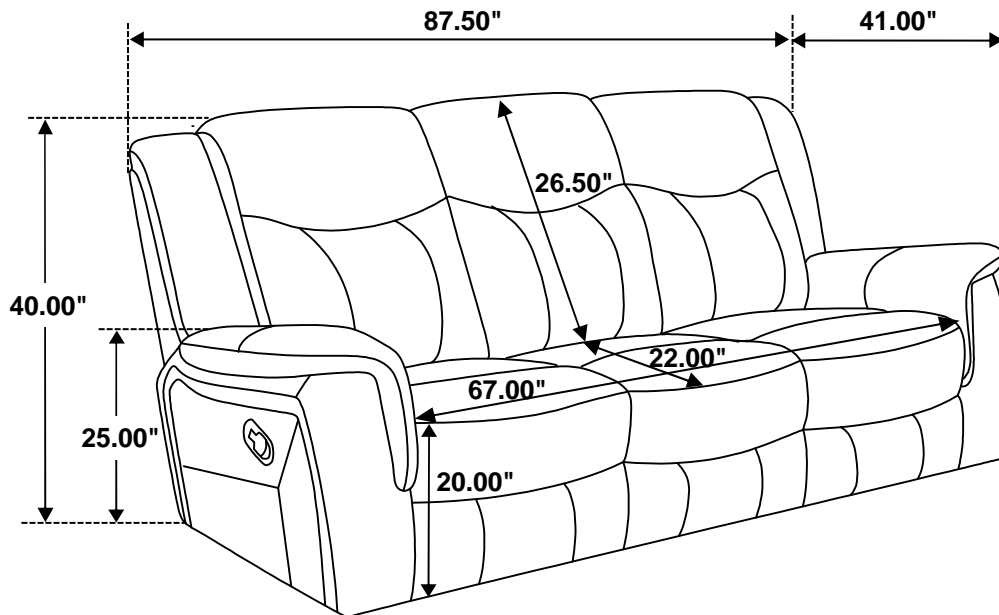
STEP 3



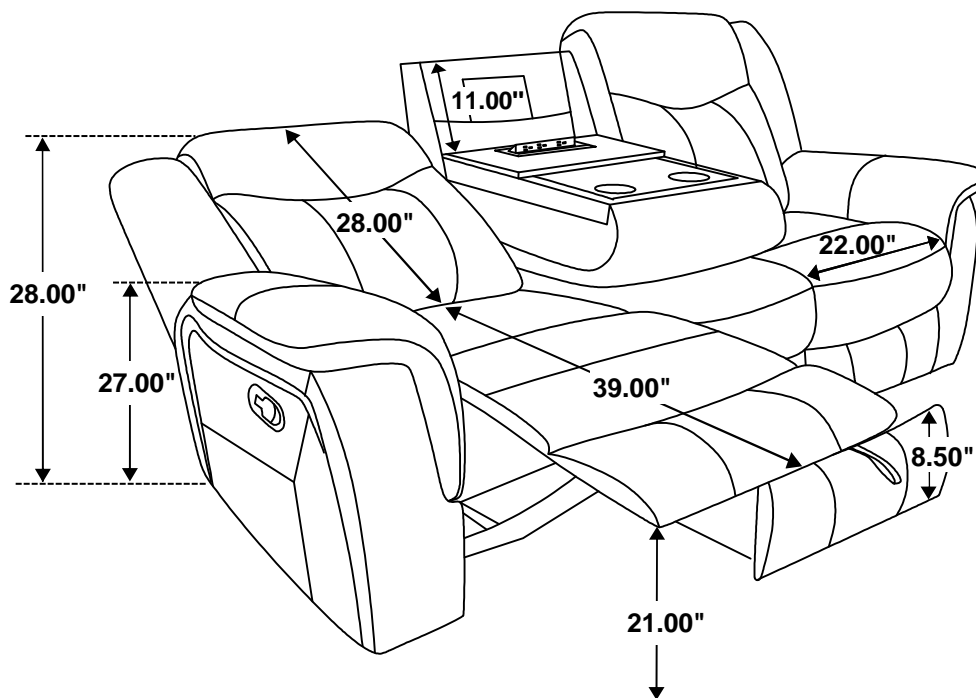
STEP 4
COMPLETE



ITEM: **650354**



Inner Size of Drawer : 20.00"W X 12.75"D X 6.25"H X 0.50"T



Note: Dimension tolerance $\pm 5\%$