

ASSEMBLY INSTRUCTIONS
COASTER FINE FURNITURE



Fine Furniture for every stage of life

708253
TV Console

ITEM: **708253**



ASSEMBLY INSTRUCTIONS

ASSEMBLY TIPS:

1. Remove hardware from box and sort by size.
2. Please check to see that all hardware and parts are present prior to start of assembly.
3. Please follow attached instructions in the same sequence as numbered to assure fast & easy assembly.



WARNING!

1. Don't attempt to repair or modify parts that are broken or defective. Please contact the store immediately.
2. This product is for home use only and not intended for commercial establishments.

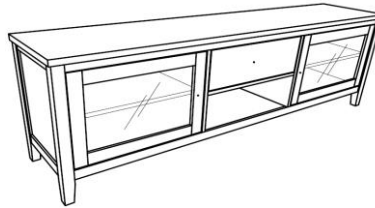


ASSEMBLY TIME

10 MINUTES

PARTS IDENTIFICATION

A TV CONSOLE



1PC

B CENTER SUPPORT
LEG WITH LEVELER



2PCS

X KNOB WITH SCREW



3SETS

NOTE:

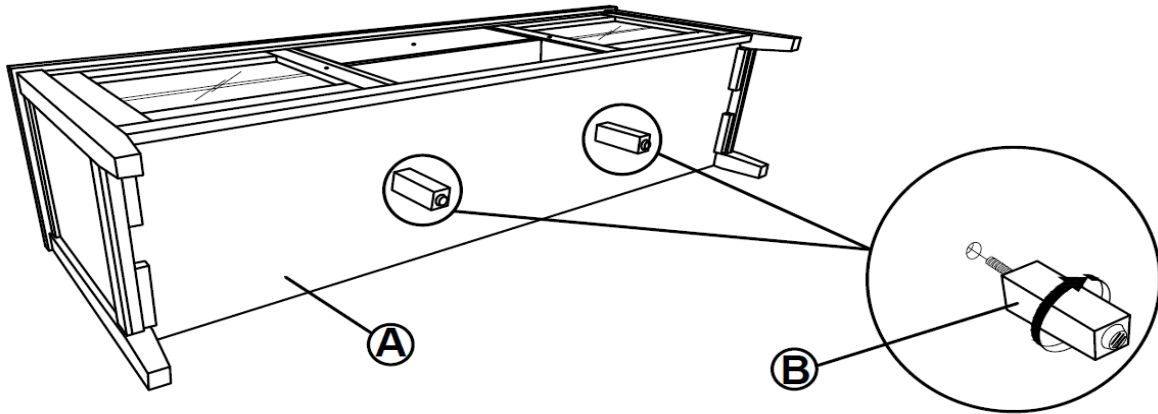
Phillips head screw driver is required in the assembly process; however, manufacturer does not provide this item.

ITEM: **708253**

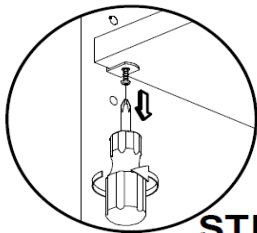


ASSEMBLY INSTRUCTIONS

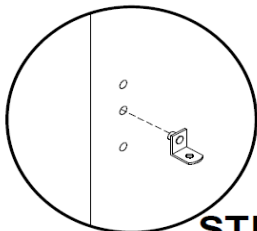
STEP 1



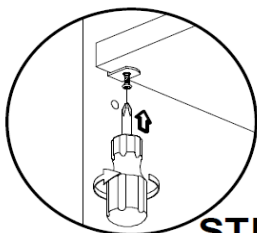
STEP 2



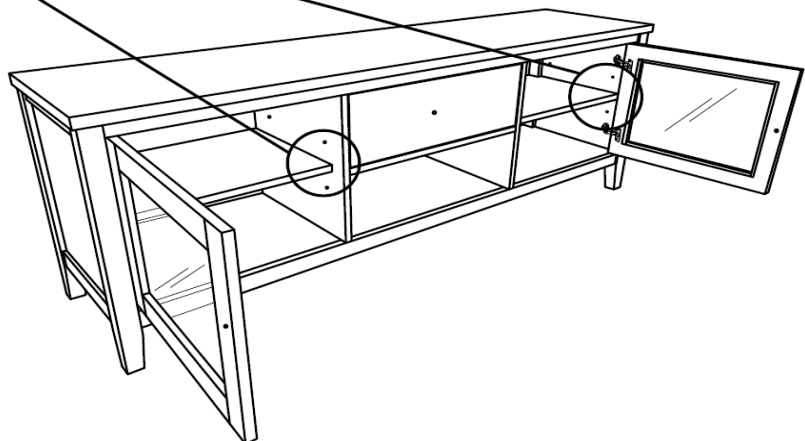
STEP 2.1



STEP 2.2



STEP 2.3

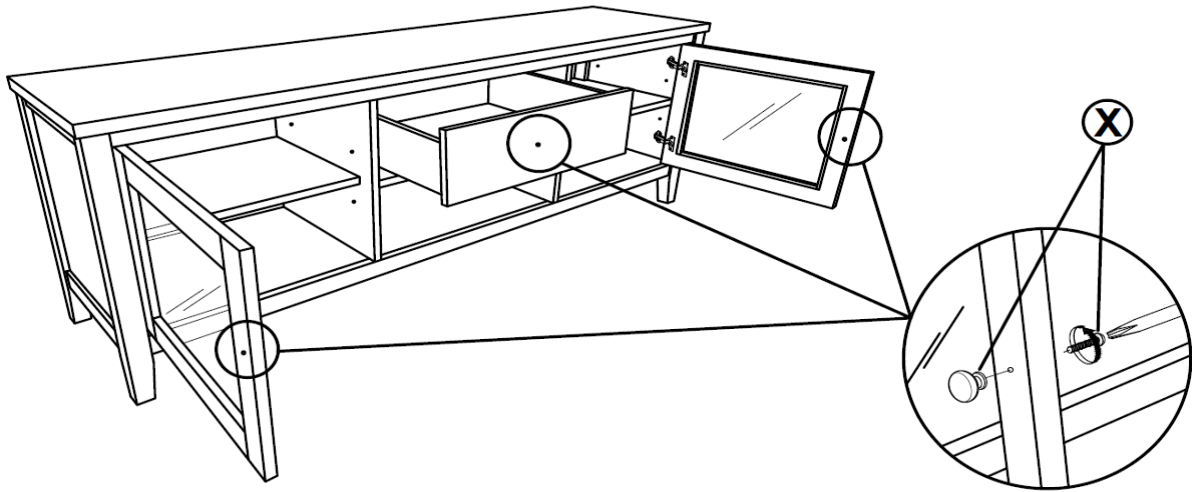


ITEM: **708253**

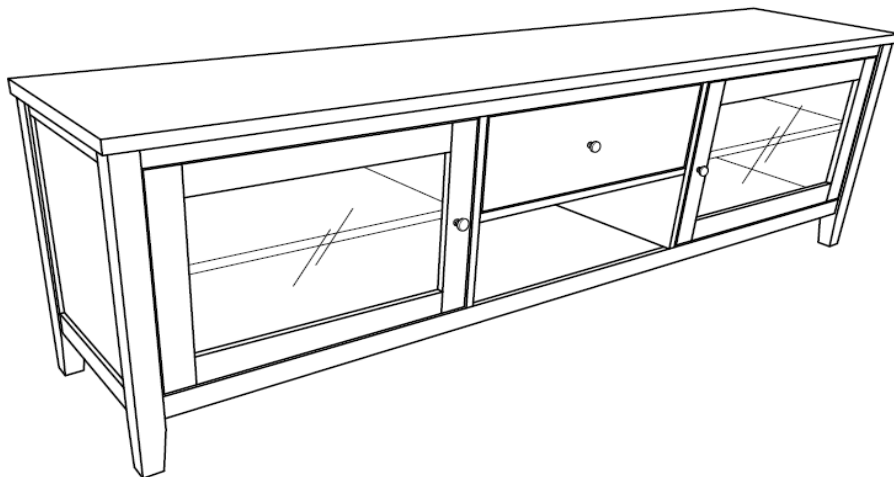


ASSEMBLY INSTRUCTIONS

STEP 3



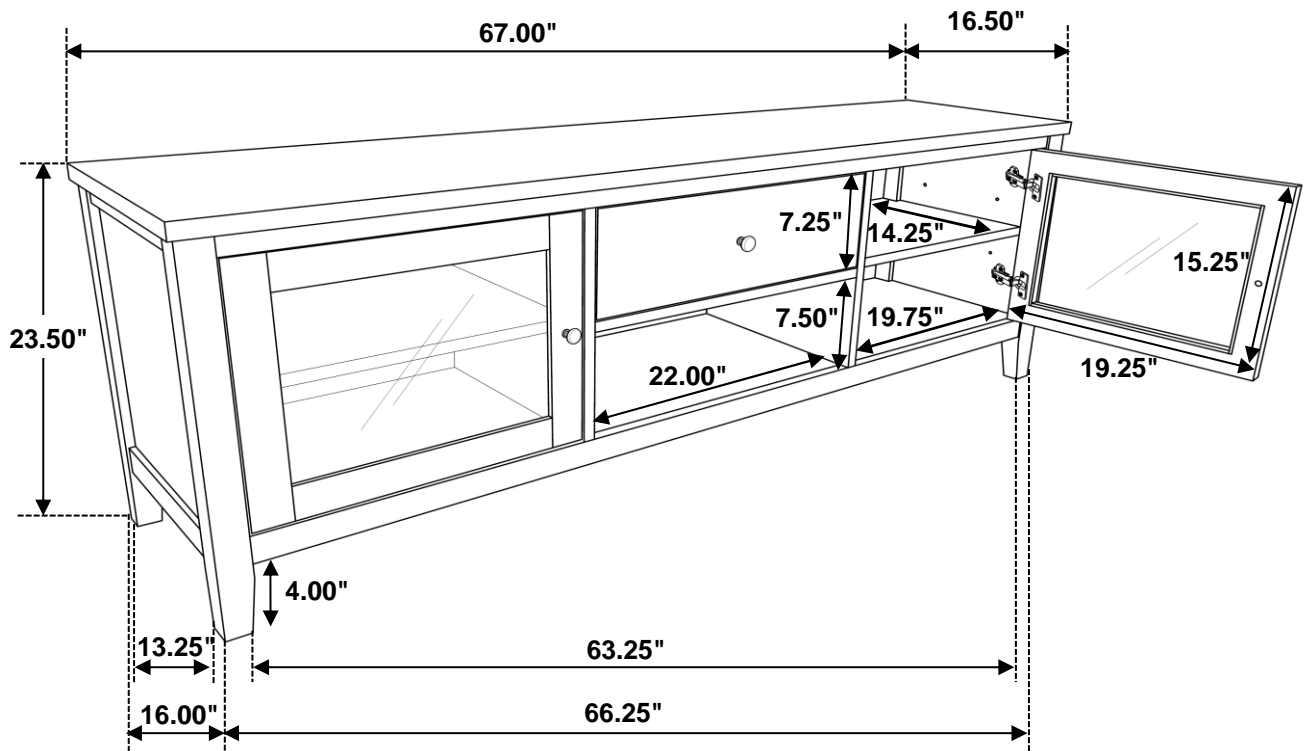
STEP 4
COMPLETE



ITEM: **708253**



Inner Size of Drawer : 20.00"W X 12.75"D X 3.25"H X 0.50"T



Note: Dimension tolerance $\pm 5\%$