



ASSEMBLY INSTRUCTIONS COASTER FINE FURNITURE



Fine Furniture for every stage of life

115511
Dining Table

ITEM: 115511



ASSEMBLY INSTRUCTIONS

ASSEMBLY TIPS:

1. Remove hardware from box and sort by size.
2. Please check to see that all hardware and parts are present prior to start of assembly.
3. Please follow attached instructions in the same sequence as numbered to assure fast & easy assembly.



WARNING!

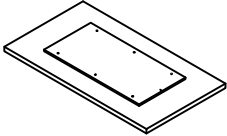
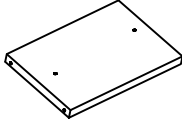
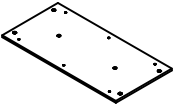
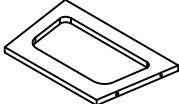
1. Don't attempt to repair or modify parts that are broken or defective. Please contact the store immediately.
2. This product is for home use only and not intended for commercial establishments.





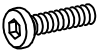



ASSEMBLY TIME

30 MINUTES

PARTS IDENTIFICATION

A	TOP		1PC	C	SIDE LEG		2PCS
B	MOUNTING PLATE		1PC	D	MIDDLE PANEL		1PC

HARDWARE IDENTIFICATION

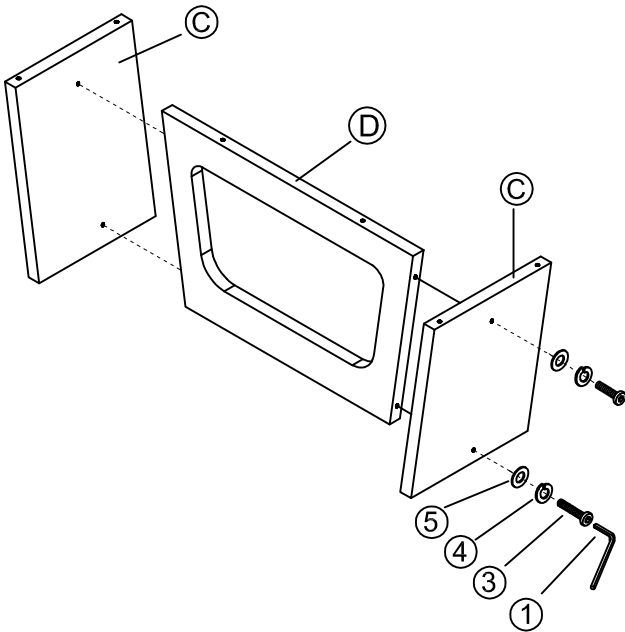
1	ALLEN WRENCH (5MM - BLK)		1PC	4	LOCK WASHER (Ø5/16" -BLK)		16PCS
2	ALLEN BOLT (Ø5/16 x 1-1/2" - BLK)		12PCS	5	FLAT WASHER (Ø5/16" x 19MM- BLK)		16PCS
3	ALLEN BOLT (Ø5/16 x 2" - BLK)		4PCS	6	PLASTIC COVER (Ø 20MM-BLK)		4PCS

ITEM:115511

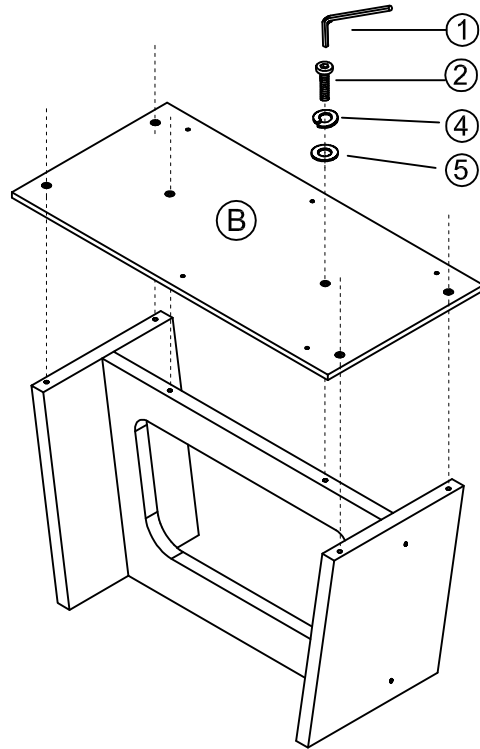


ASSEMBLY INSTRUCTIONS

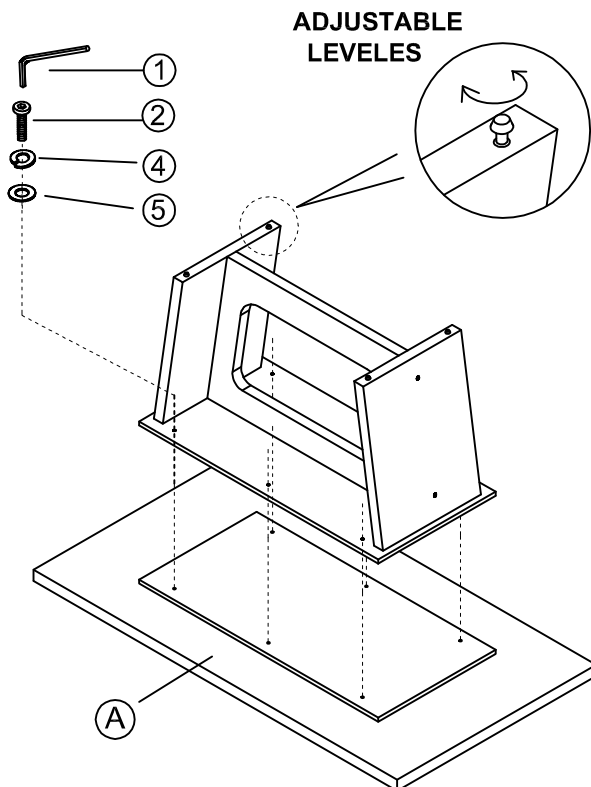
STEP 1



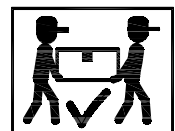
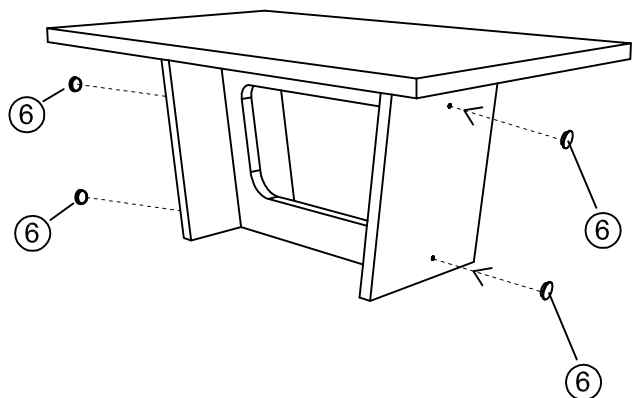
STEP 2



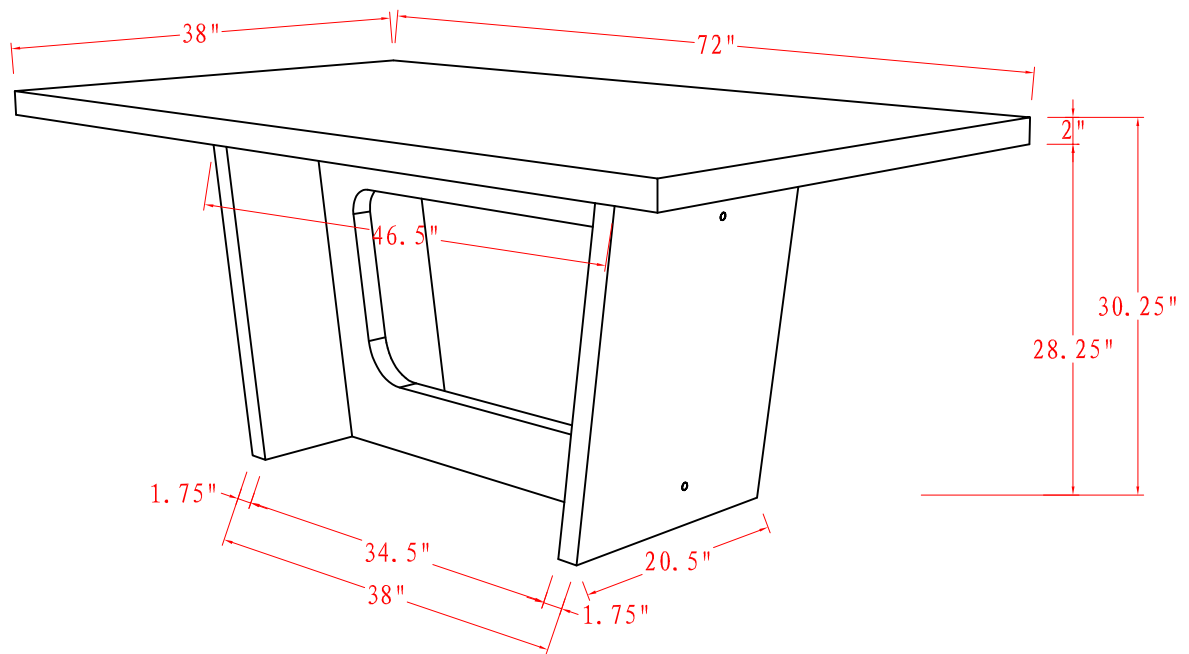
STEP 3



**STEP 4
COMPLETE**



ITEM:115511



Note : Dimension tolerance $\pm 5\%$