

**ASSEMBLY INSTRUCTION
COASTER FINE FURNITURE**



701079
SOFA TABLE

ITEM: 701079



Assembly Instruction

ASSEMBLY TIPS:

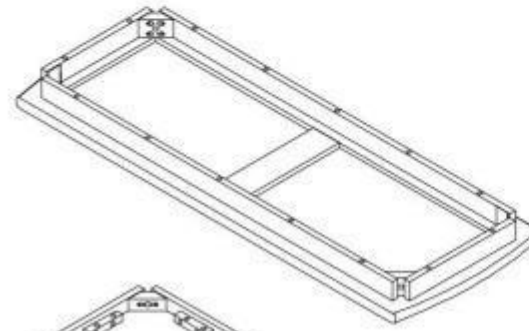
- 1.Remove hardware from box and sort by size.
- 2.Please check to see that all hardware and parts are present prior to start of assembly.
- 3.Please follow attached instructions in the same sequence as numbered to assure fast & easy assembly.

Warning!

- 1.Don't attempt to repair or modify parts that are broken or defective.please contact the store immediately.
- 2.This product is for home use only and not intended for commercial establishment.

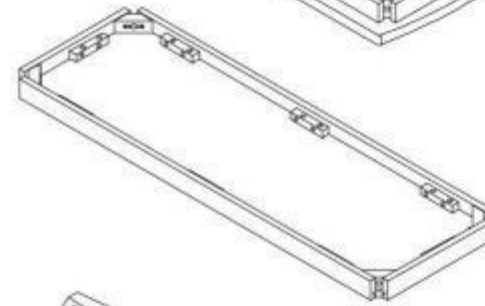
PARTS IDENTIFICATION

(A) TABLE TOP



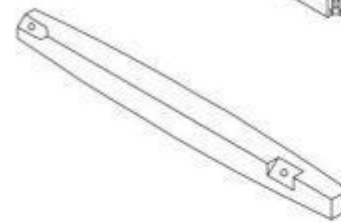
1PC

(B) BOTTOM SHELF



1PC

(C) LEG



4PCS

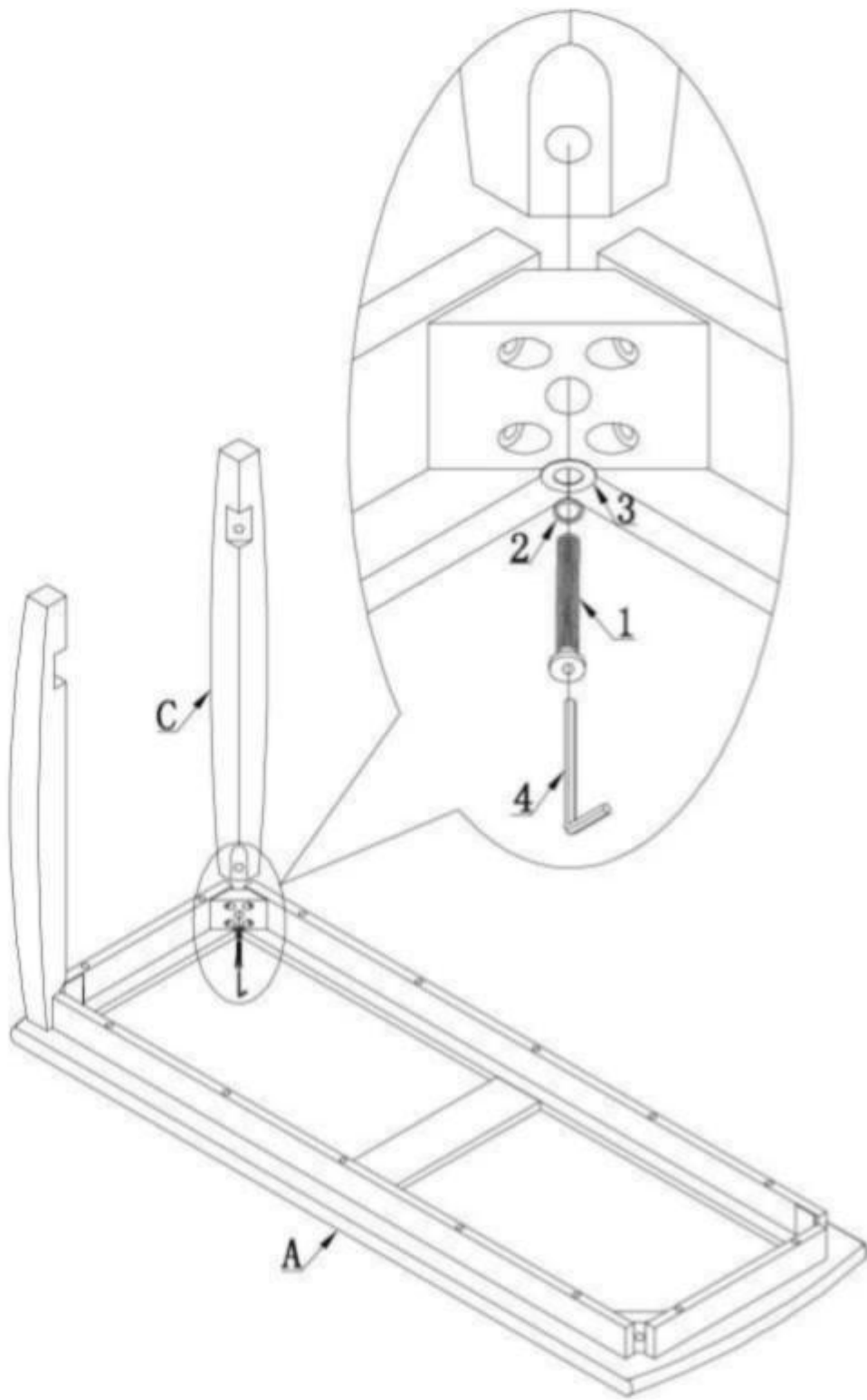
Z	HARDWARE PACKAGE		
	DESCRIPTION	FIGURE	Q'TY
1	Bolt ϕ 5/16X2"		8PCS
2	Flat Washer ϕ 5/16		8PCS
3	Spring Wrench ϕ 19mm		8PCS
4	Allen Wrench 4mm		1PC

ITEM:701079

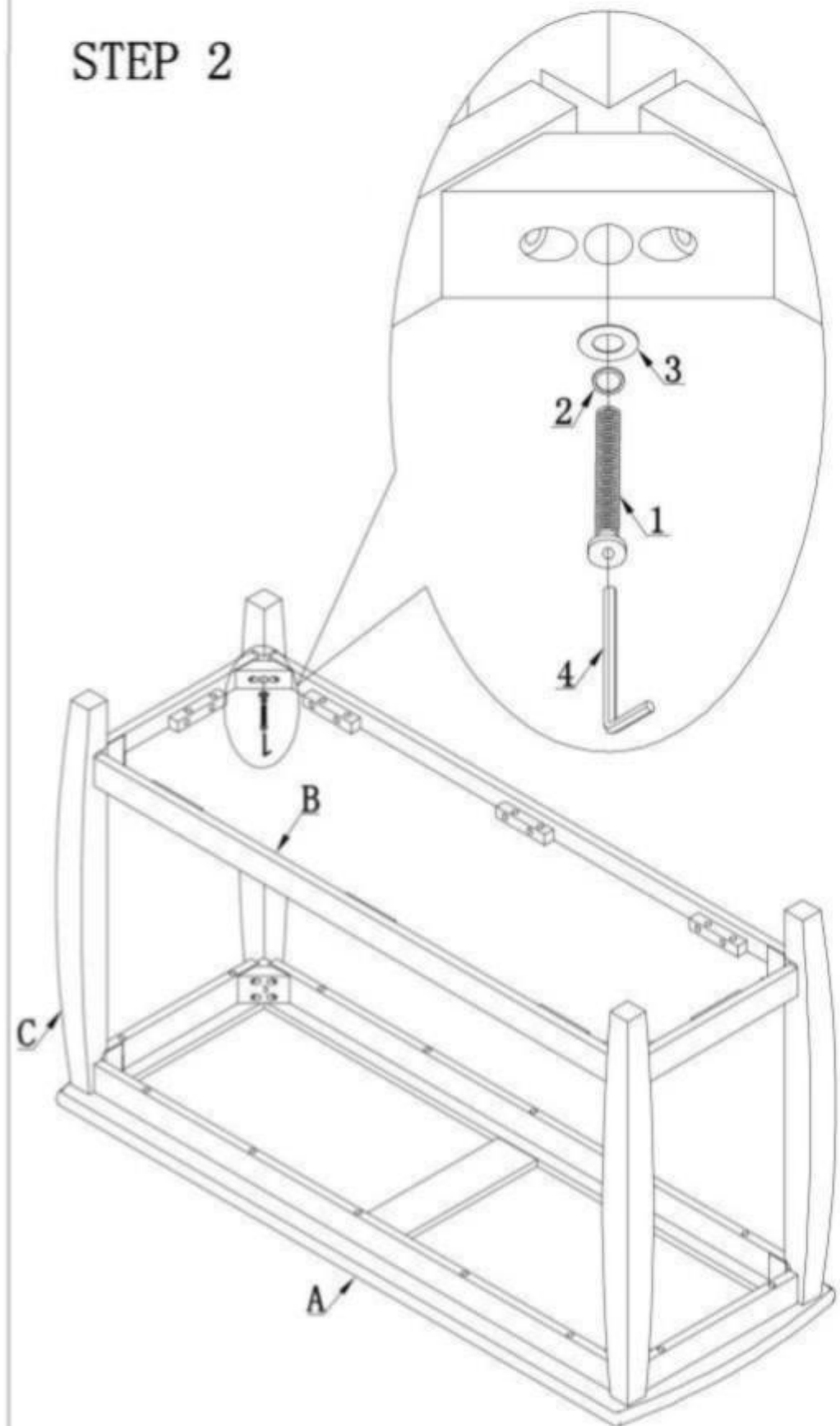
ITEM:701079

COASTER
FINE FURNITURE

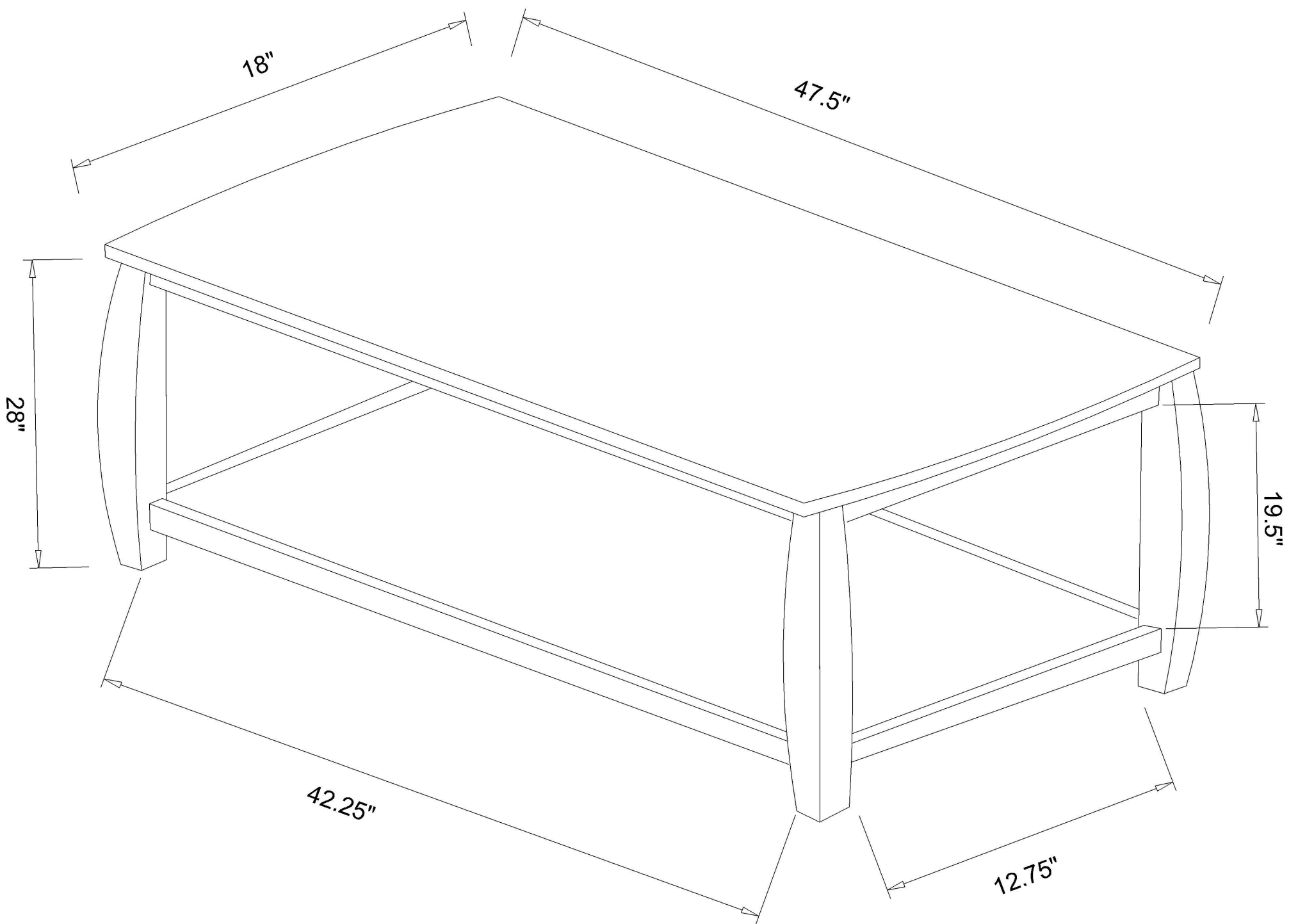
STEP 1



STEP 2



ITEM:701079



NOTE:

Dimension tolerance $\pm 5\%$