



ASSEMBLY INSTRUCTIONS

COASTER FINE FURNITURE



Fine Furniture for every stage of life

722897
End Table

REVISION 1: 11/26/2019
REVISION 2 : 09/01/2022

ITEM:722897

ASSEMBLY INSTRUCTIONS



ASSEMBLY TIPS:

1. Remove hardware from box and sort by size.
2. Please check to see that all hardware and parts are present prior to start of assembly.
3. Please follow attached instructions in the same sequence as numbered to assure fast & easy assembly.



WARNING

1. Don't attempt to repair or modify parts that are broken or defective. Please contact the store immediately.
2. This product is for home use only and not intend for commercial establishments.



ASSEMBLY TIME

20 MINUTES

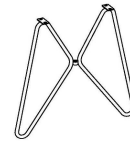
PARTS IDENTIFICATION

A TABLE TOP



1PC

B LOWER LEG FRAME



1PC

C UPPER LEG FRAME



1PC

HARDWARE IDENTIFICATION

1 BOLT

1/4"x7/8"



9PCS

2 SPRING WASHER

1/4"



9PCS

3 WASHER

1/4"



9PCS

4 ALLEN KEY

4mm



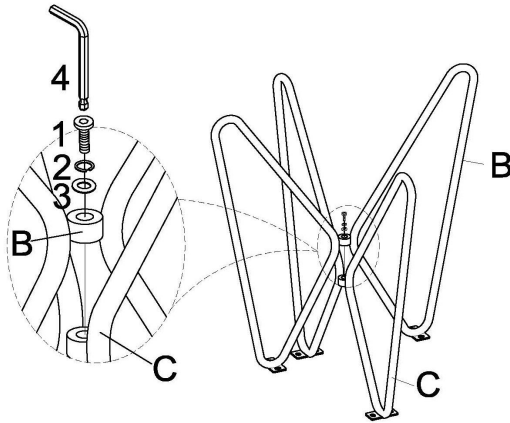
1PC

ITEM:722897

ASSEMBLY INSTRUCTIONS

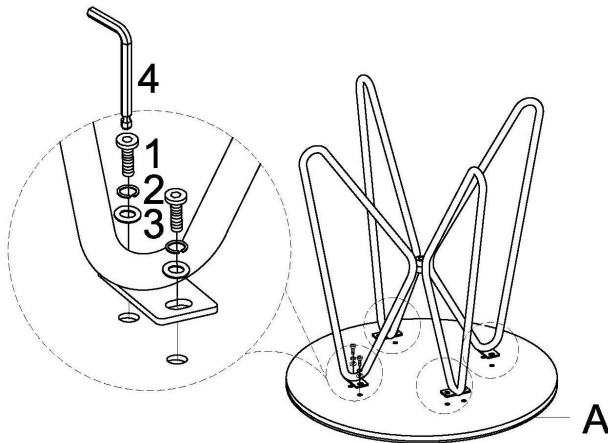


STEP 1



| | | |
|---|--|-----|
| 1 | | 1PC |
| 2 | | 1PC |
| 3 | | 1PC |
| 4 | | 1PC |

STEP 2



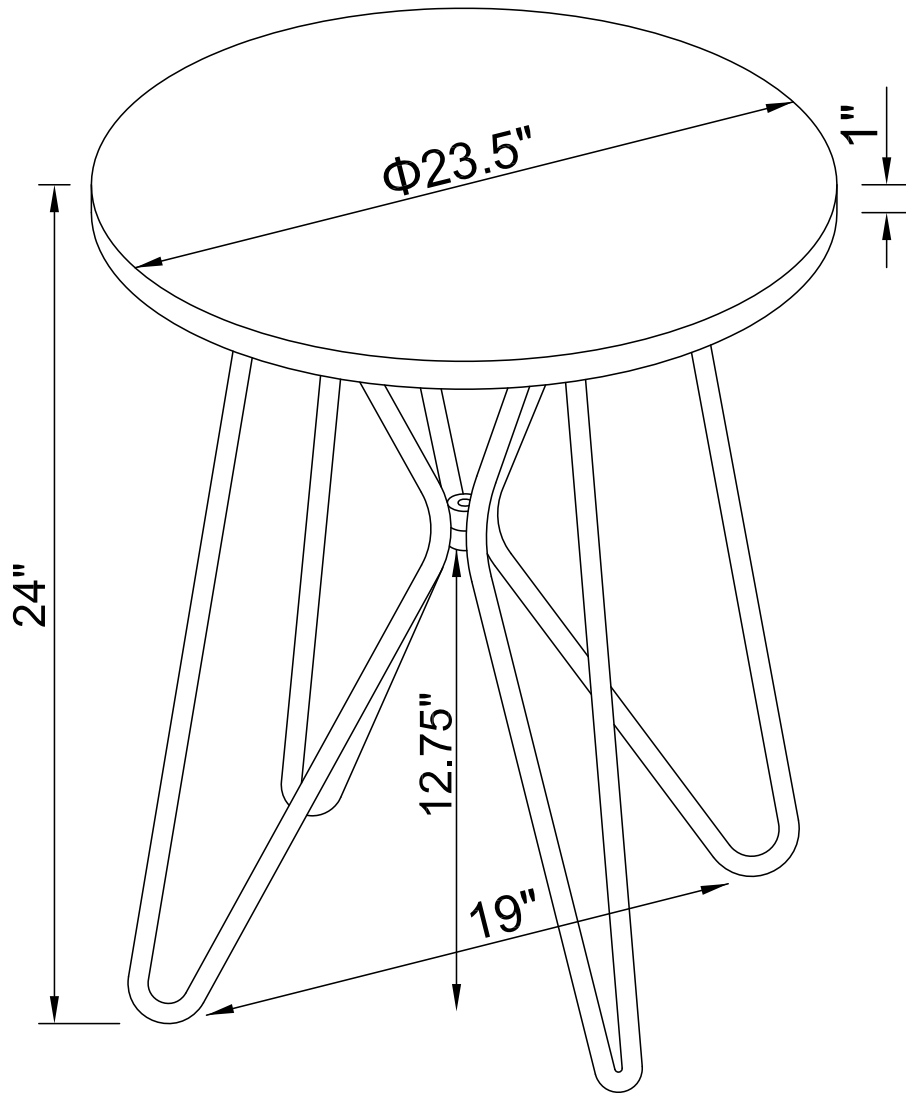
| | | |
|---|--|------|
| 1 | | 8PCS |
| 2 | | 8PCS |
| 3 | | 8PCS |
| 4 | | 1PC |

STEP 3

COMPLETE



ITEM:722897



Note: Dimension tolerance $\pm 5\%$