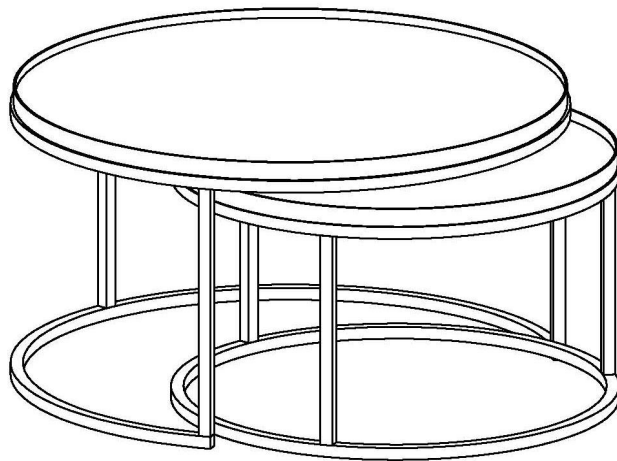


**ASSEMBLY INSTRUCTIONS**  
**COASTER FINE FURNITURE**



*Fine Furniture for every stage of life*

**931215**

**Nesting Table**

REVISION 1: 11/26/2019

REVISION 2 : 09/02/2022

ITEM: **931215**

# ASSEMBLY INSTRUCTIONS



## ASSEMBLY TIPS:

1. Remove hardware from box and sort by size.
2. Please check to see that all hardware and parts are present prior to start of assembly.
3. Please follow attached instructions in the same sequence as numbered to assure fast & easy assembly.



### WARNING

1. Don't attempt to repair or modify parts that are broken or defective. Please contact the store immediately.
2. This product is for home use only and not intend for commercial establishments.



ASSEMBLY TIME

20 MINUTES

## PARTS IDENTIFICATION

A LARGE TABLE TOP  1PC

B LARGE TABLE LEG  3PCS

C LARGE TABLE LEG SUPPORT  1PC

D SMALL TABLE TOP  1PC

E SMALL TABLE LEG  3PCS

F SMALL TABLE LEG SUPPORT  1PC

## HARDWARE IDENTIFICATION

1 BOLT  12PCS  
1/4"x5/8"

2 BOLT  6PCS  
1/4"x1-1/4"

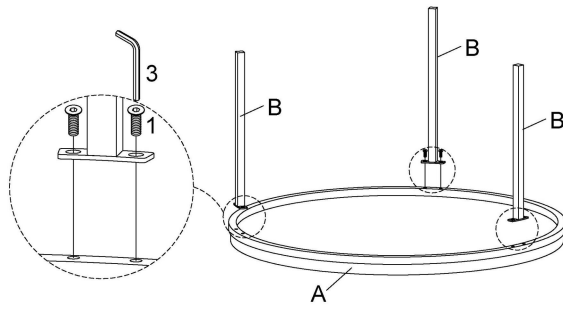
3 ALLEN KEY  1PC  
4mm

ITEM:931215

# ASSEMBLY INSTRUCTIONS

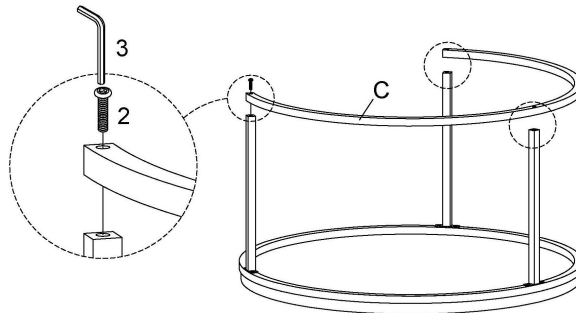


## STEP 1



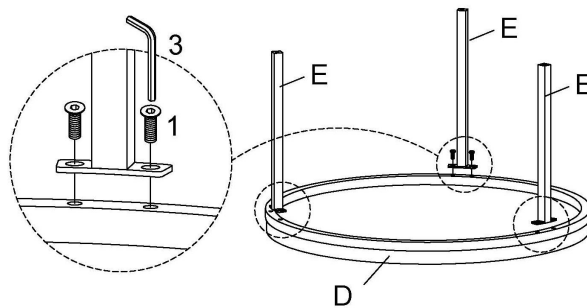
1		6PCS
3		1PC

## STEP 2



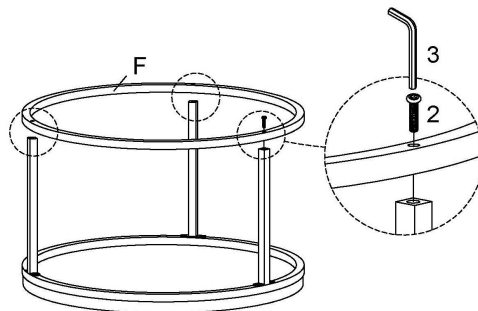
2		3PCS
3		1PC

## STEP 3



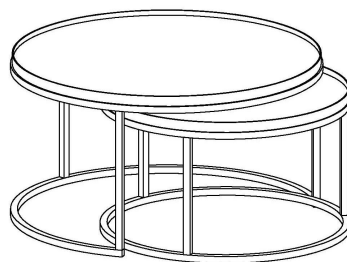
1		6PCS
3		1PC

## STEP 4

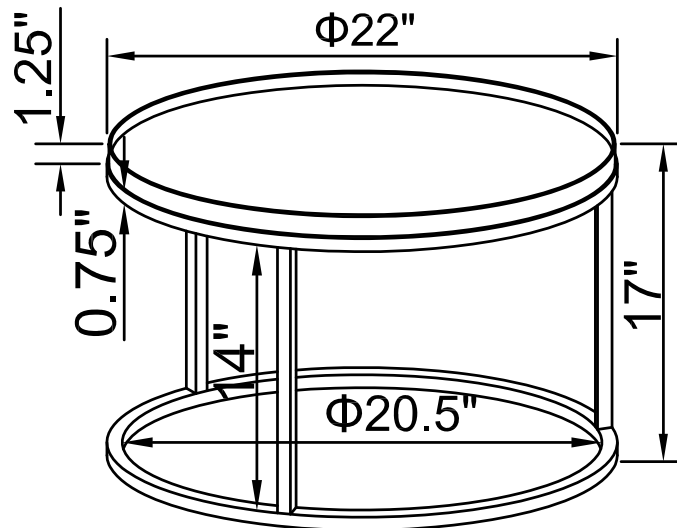
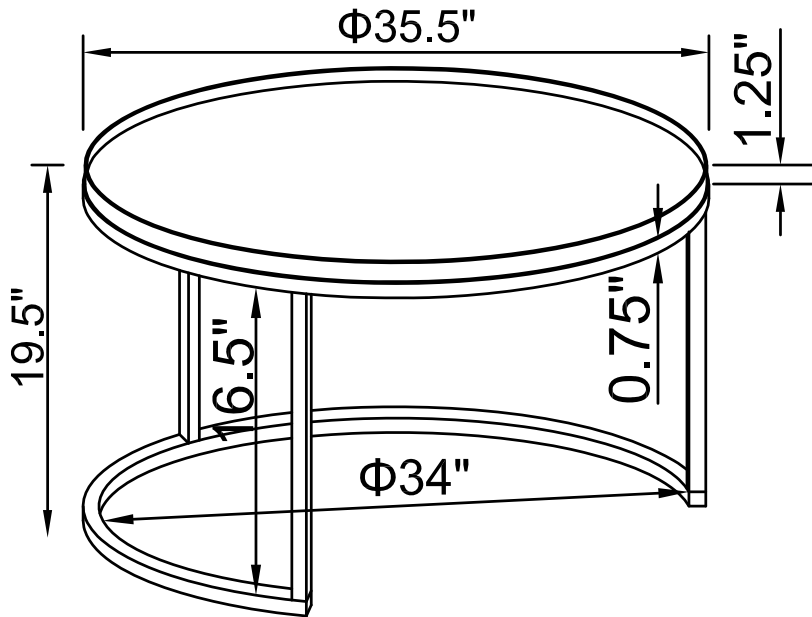


2		3PCS
3		1PC

## STEP 5 COMPLETE



ITEM:931215



**Note:** Dimension tolerance  $\pm 5\%$