

ASSEMBLY INSTRUCTIONS
COASTER FINE FURNITURE



Fine Furniture for every stage of life

4129
Dining Side Chair

REVISION 0 : 02/18/2010
REVISION 1 : 11/27/2012
REVISION 2 : 10/01/2014
REVISION 3 : 10/21/2014
REVISION 4 : 07/29/2015
REVISION 5 : 10/31/2018
REVISION 6 : 06/10/2019

ITEM: 4129



ASSEMBLY INSTRUCTIONS

ASSEMBLY TIPS:

1. Remove hardware from box and sort by size.
2. Please check to see that all hardware and parts are present prior to start of assembly.
3. Please follow attached instructions in the same sequence as numbered to assure fast & easy assembly.



WARNING!

1. Don't attempt to repair or modify parts that are broken or defective. Please contact the store immediately.
2. This product is for home use only and not intended for commercial establishments.



ASSEMBLY TIME

15 MINUTES

PARTS IDENTIFICATION

A	SEAT AND BACK		1PC
BL	LEFT LEG FRAME (Semi K/D Construction)		1PC
BR	RIGHT LEG FRAME (Semi K/D Construction)		1PC
C	STRETCHER		1PC

HARDWARE IDENTIFICATION

1	BOLT (M6 x 50mm - RBW)		2PCS
2	BARREL NUT (M6 x 13mm - SILVER)		2PCS
3	FLAT HEAD SCREW (M7 x 35mm - RBW)		6PCS
4	ALLEN WRENCH (M4 - BLK)		1PCS
5	WOOD PLUG		2PCS

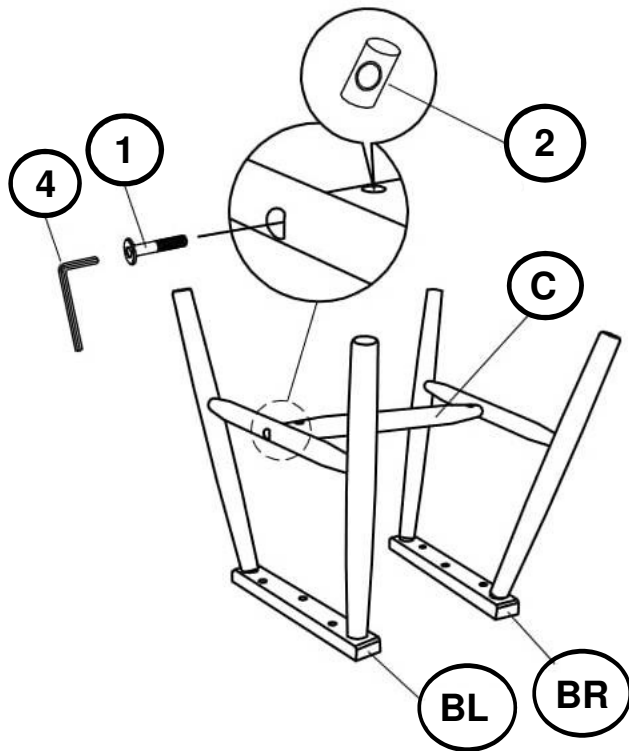
NOTE:

Quantities shown are for one chair.

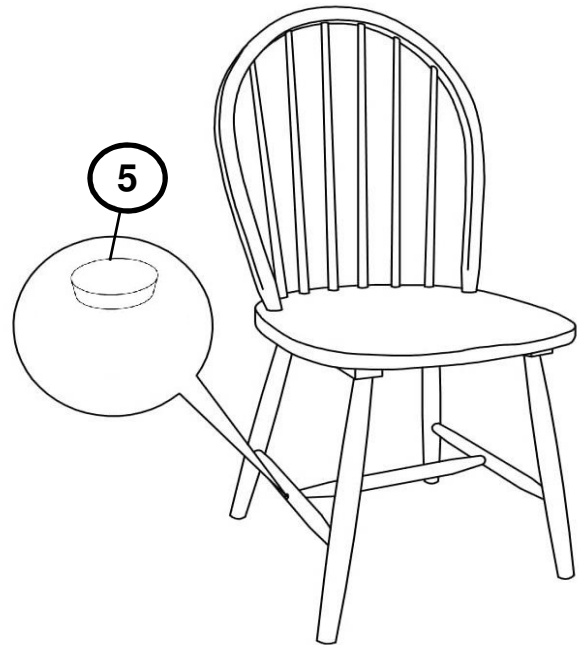
Phillips head screw driver is required in the assembly process; however, manufacturer does not provide this item.

ITEM: 4129

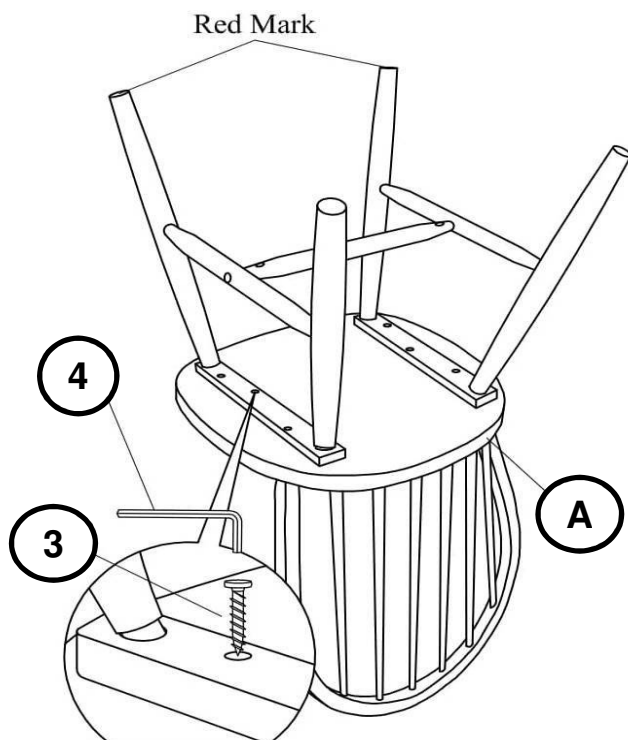
ASSEMBLY INSTRUCTIONS
STEP 1



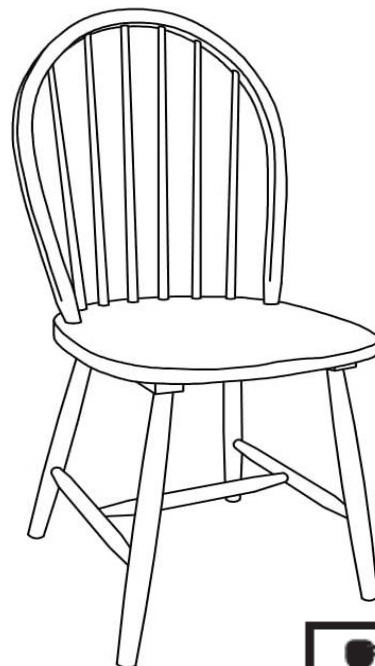
STEP 3



STEP 2

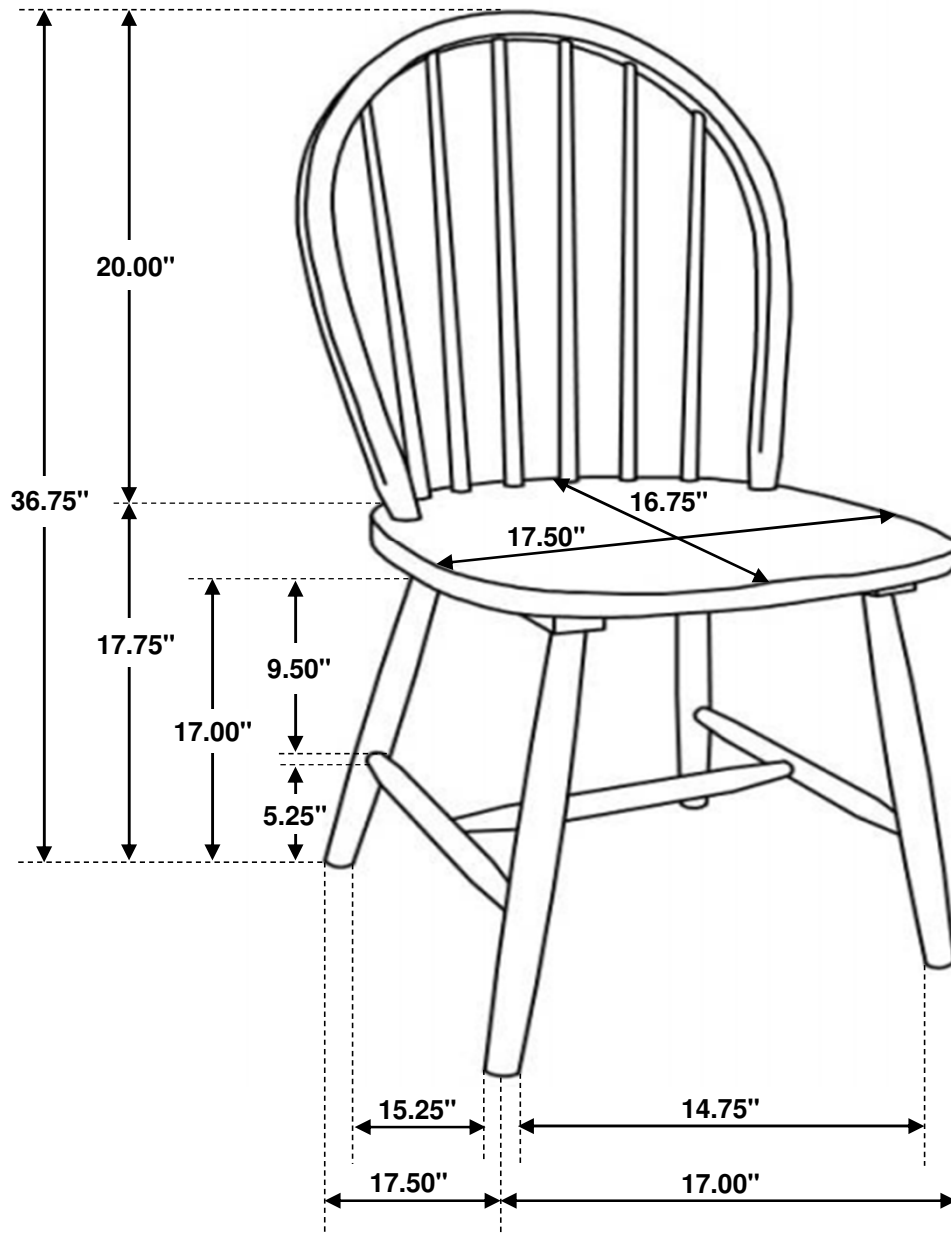


STEP 4
COMPLETE



ITEM: **4129**

COASTER
FINE FURNITURE



Note : Dimension tolerance $\pm 5\%$