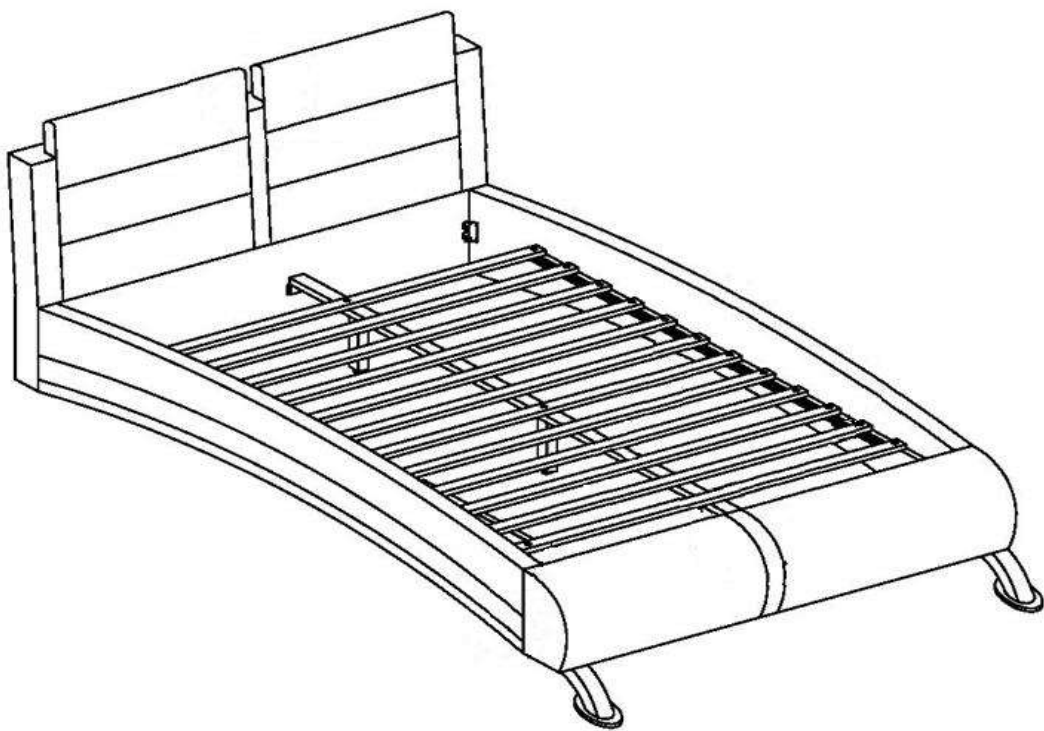


**ASSEMBLY INSTRUCTIONS**  
**COASTER FINE FURNITURE**



*Fine Furniture for every stage of life*

**300345Q (B1-B3)**  
**Queen Bed**

REVISION 0 : 08/13/2014  
REVISION 1 : 04/06/2015  
REVISION 2 : 05/14/2015  
REVISION 3 : 07/25/2019

# ITEM: 300345Q (B1-B3)



## ASSEMBLY INSTRUCTIONS

### ASSEMBLY TIPS:

1. Remove hardware from box and sort by size.
2. Please check to see that all hardware and parts are present prior to start of assembly.
3. Please follow attached instructions in the same sequence as numbered to assure fast & easy assembly.



### WARNING!

1. Don't attempt to repair or modify parts that are broken or defective. Please contact the store immediately.
2. This product is for home use only and not intended for commercial establishments.



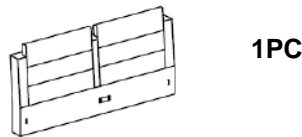
ASSEMBLY TIME

20 MINUTES

## PARTS IDENTIFICATION

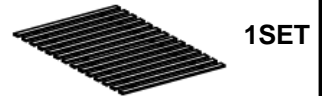
### B1 ( BOX 1 )

AN HEADBOARD



1PC

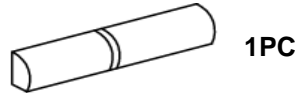
BN ROLL SLAT (14PCS)



1SET

### B2 ( BOX 2 )

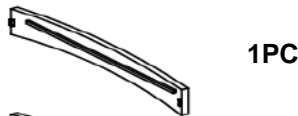
CN FOOTBOARD PANEL



1PC

### B3 ( BOX 3 )

DN LEFT BED RAIL



1PC

IN CENTER RAIL



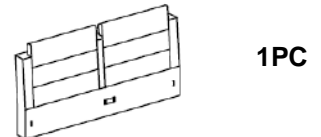
1PC

EN RIGHT BED RAIL



1PC

AN 300345Q (B1) FROM BOX 1 HEADBOARD



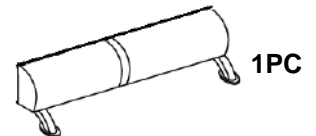
1PC

FN FOOTBOARD LEG



2PCS

FBN 300345Q (B2&B3) FROM BOX 2 & BOX 3 FOOTBOARD COMPLETE



1PC

GN BED SLAT SUPPORT WITH LEVELER



3PCS

HN FOOTBOARD SUPPORT WITH LEVELER



1PC

## HARDWARE IDENTIFICATION

### Z-B3 (BOX 3) - HARDWARE PACK IS LOCATED IN 300345Q (B3)

1 SHORT FLAT HEAD SCREW (4 x 25mm - RBW)



12PCS

2 LONG FLAT HEAD SCREW (4 x 32mm - RBW)



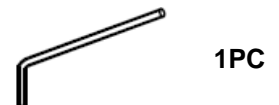
31PCS

3 BOLT (6x 40mm - RBW)



3PCS

4 SMALL ALLEN WRENCH (4 X 65MM - BLK)



1PC

5 BIG ALLEN WRENCH (5 X 70MM - BLK)



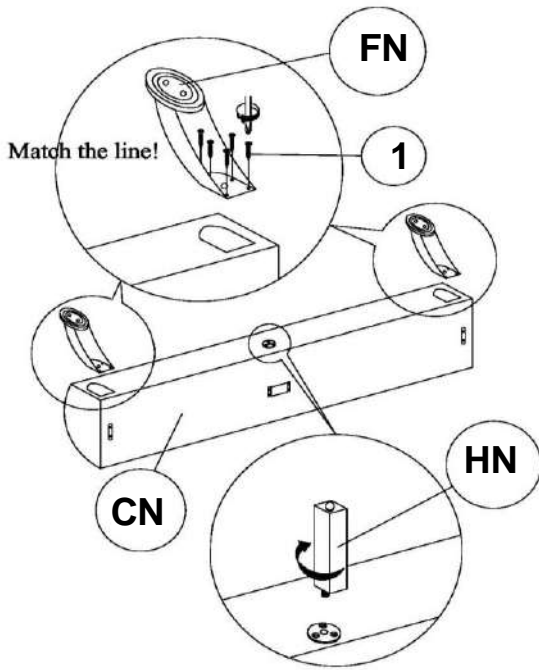
1PC

### NOTE:

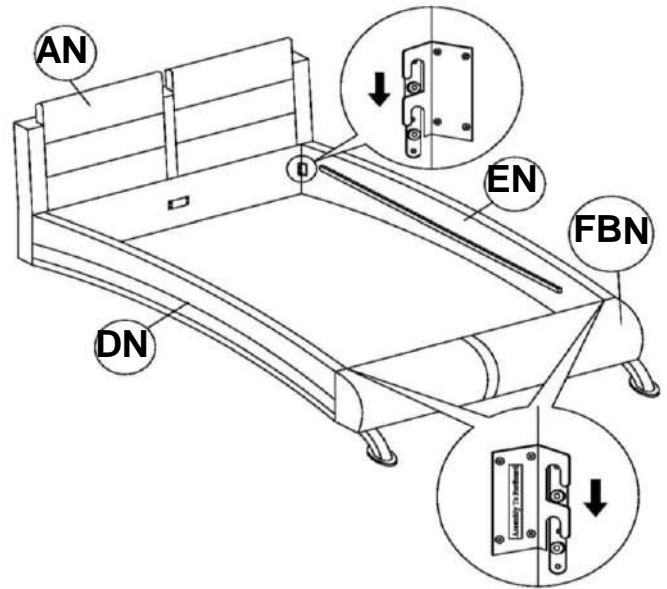
Phillips head screw driver is required in the assembly process; however, manufacturer does not provide this item.

**ASSEMBLY INSTRUCTIONS**

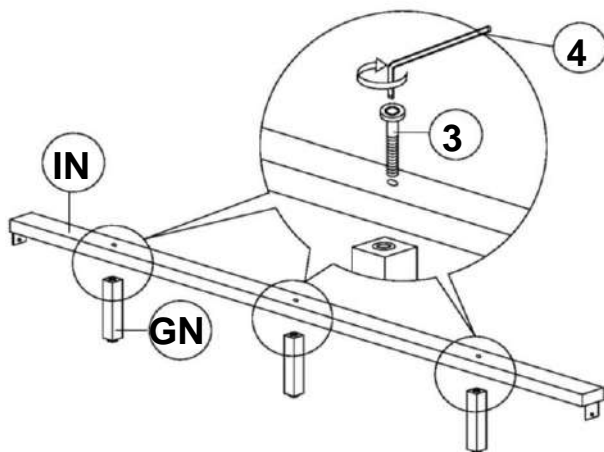
**STEP 1**



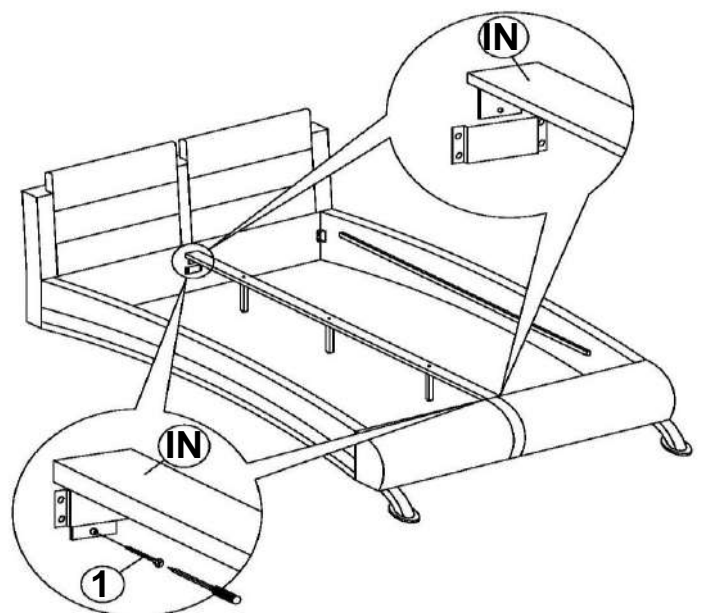
**STEP 2**



**STEP 3**



**STEP 4**

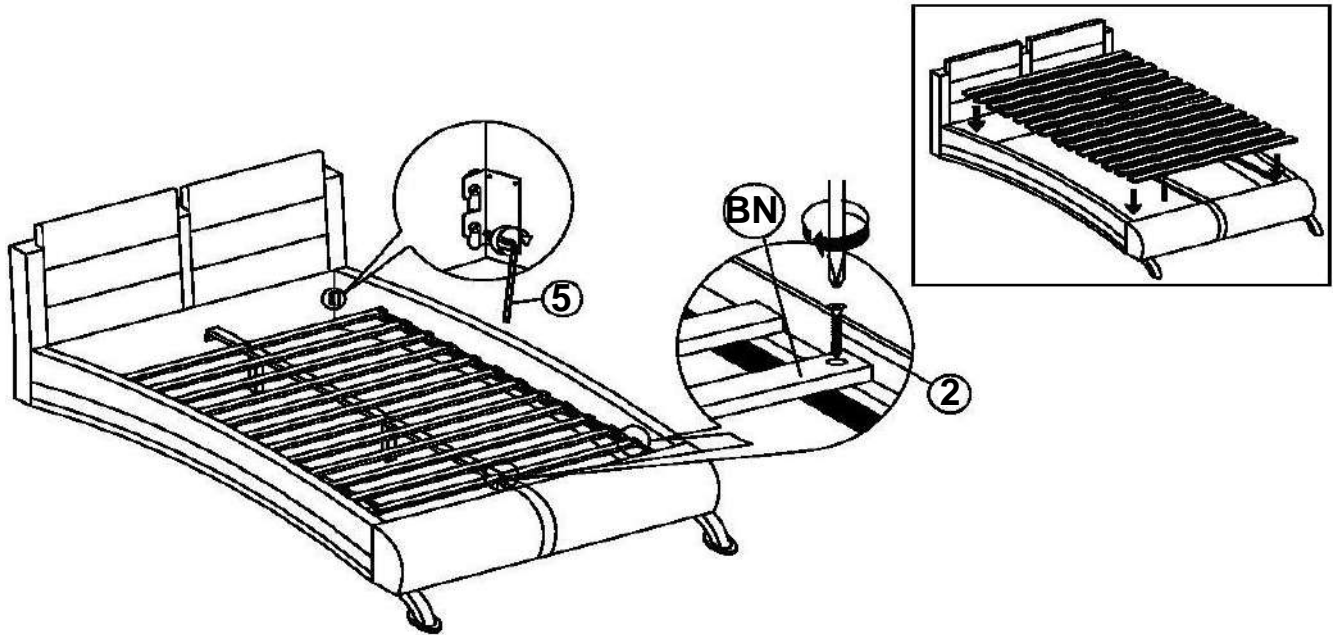


ITEM: 300345Q (B1-B3)

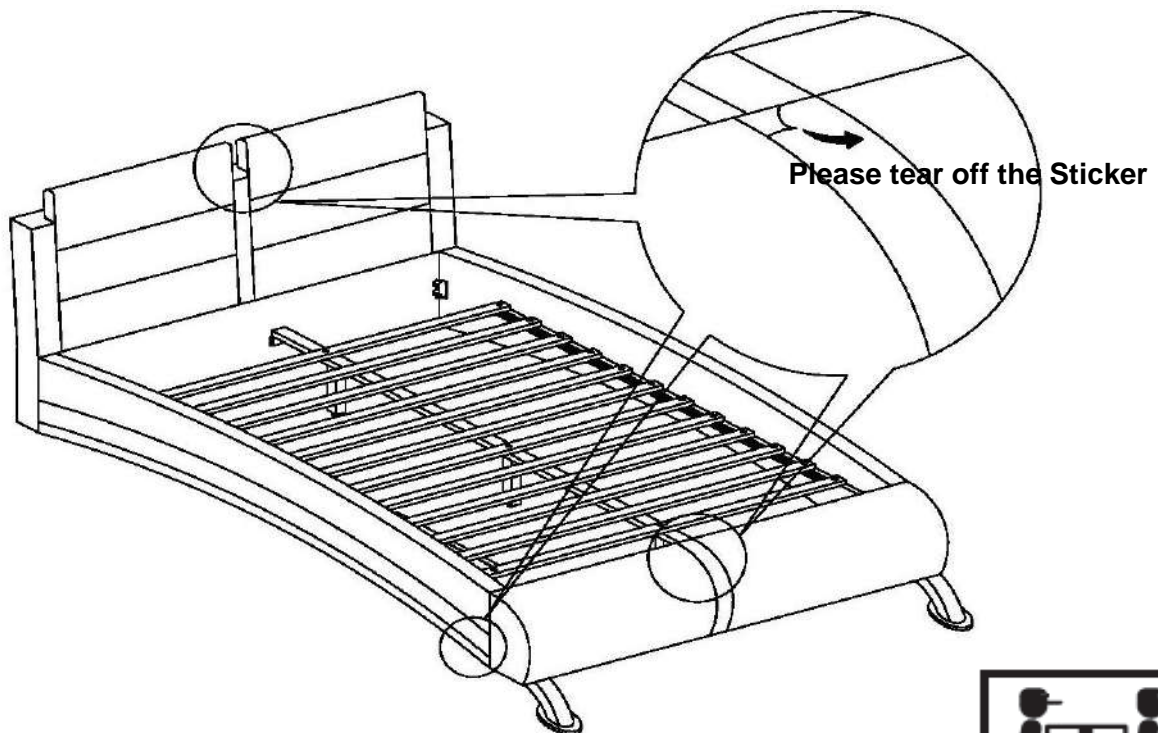


ASSEMBLY INSTRUCTIONS

**STEP 5**



**STEP 6**  
**COMPLETE**

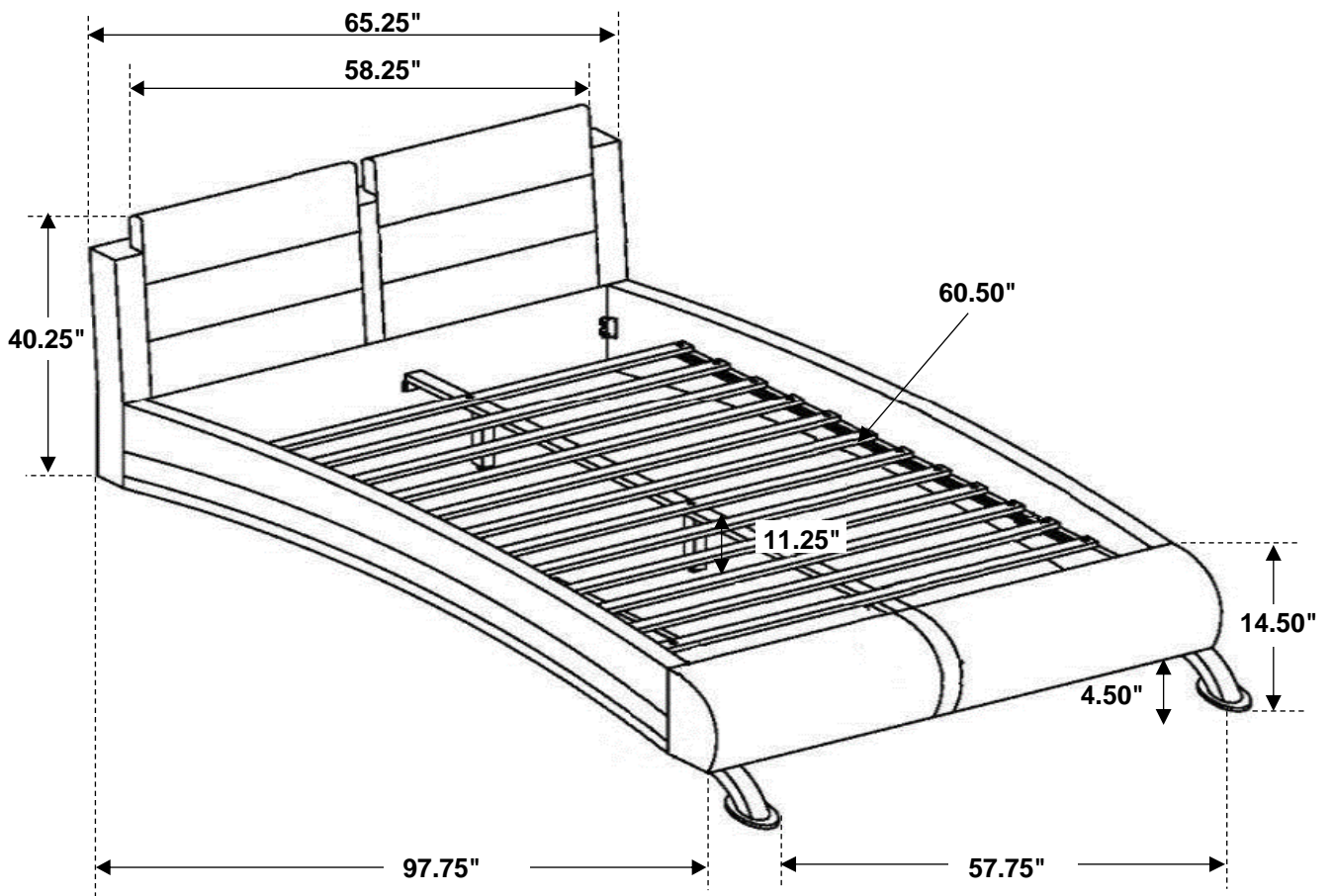




ITEM: **300345Q (B1-B3)**



Inner Size: 60.50"W X 81.00"D



Note: Dimension tolerance  $\pm 5\%$