

**ASSEMBLY INSTRUCTIONS**  
**COASTER FINE FURNITURE**



*Fine Furniture for every stage of life*

**100171**  
**GAME TABLE**

REVISION 0: 10/4/2019

REVISION 1: 6/1/2022

REVISION 2: 4/28/2023

# ITEM: 100171



## ASSEMBLY INSTRUCTIONS

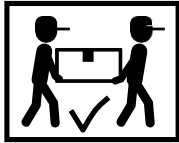
### ASSEMBLY TIPS:

1. Remove hardware from box and sort by size.
2. Please check to see that all hardware and parts are present prior to start of assembly.
3. Please follow attached instructions in the same sequence as numbered to assure fast & easy assembly.



### WARNING!

1. Don't attempt to repair or modify parts that are broken or defective. Please contact the store immediately.
2. This product is for home use only and not intended for commercial establishments.



ASSEMBLY TIME

15 MINUTES

## PARTS IDENTIFICATION

100171B 1:

A	DINING TOP		1
B	POOL TOP		1
C	MOUNTING BOARD		1
D	BASE		1
E	BRUSH		1
F	BALL SET		1
G	CUE STICK		2
H	CHALK		2

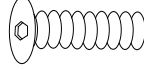

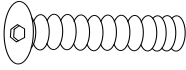


100171B 2:

I	PEDESTAL		1
J	DRAWER		2

# ITEM:100171

## HARDWARE IDENTIFICATION



1	SMALL BOLT (5/16*40)		8
2	METAL WASHER (5/16*19)		12
3	LARGE BOLT (5/16*75)		4
4	ALLEN WRENCH (5/16)		1
5	LARGE SPRING WASHER(5/16)		12

Hardware Pack is located in 100171B1

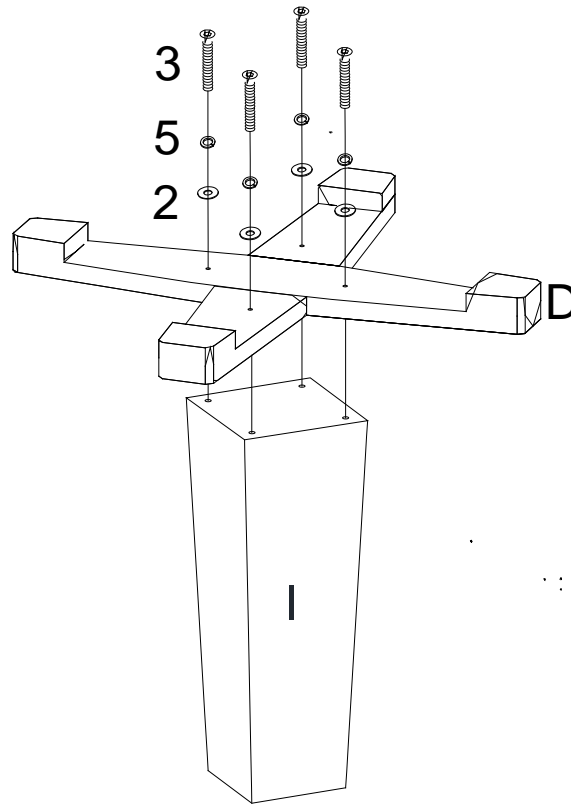
**NOTE:**

Phillips head screw driver is required in the assembly process; however, manufacturer does not provide this item.

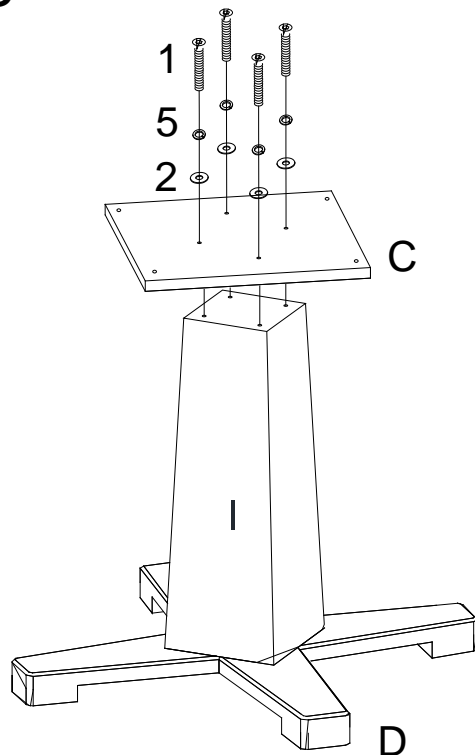
ITEM: **100171**



**ASSEMBLY INSTRUCTIONS**  
**LOWER BED END**  
**STEP 1**



**UPPER BED END**  
**STEP 2**

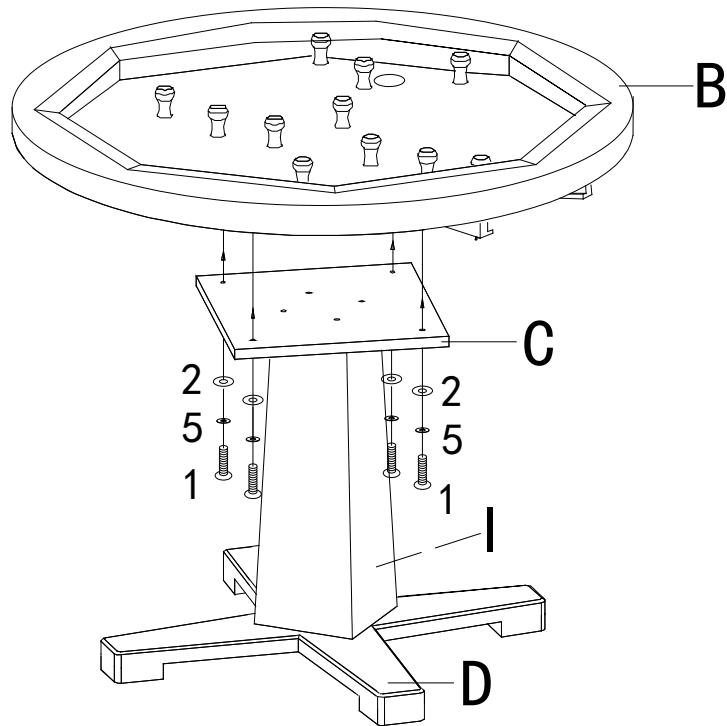


COASTERFURNITURE.COM

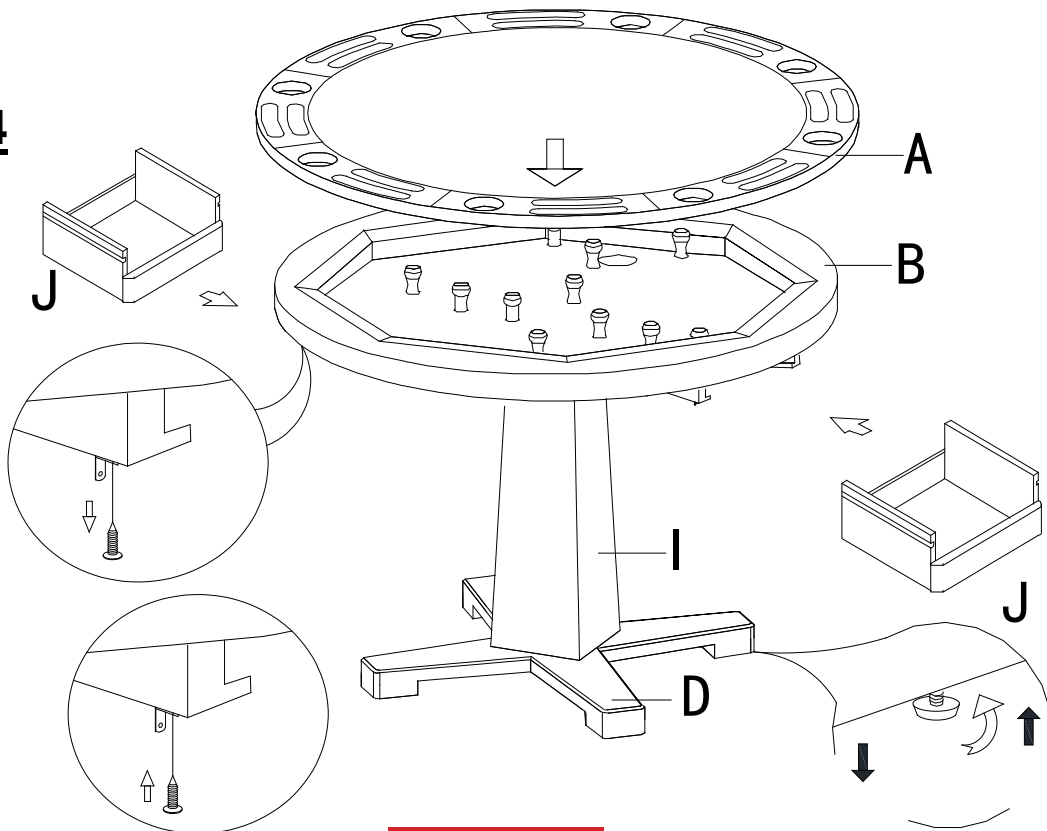
ITEM: **100171**

**ASSEMBLY INSTRUCTIONS**

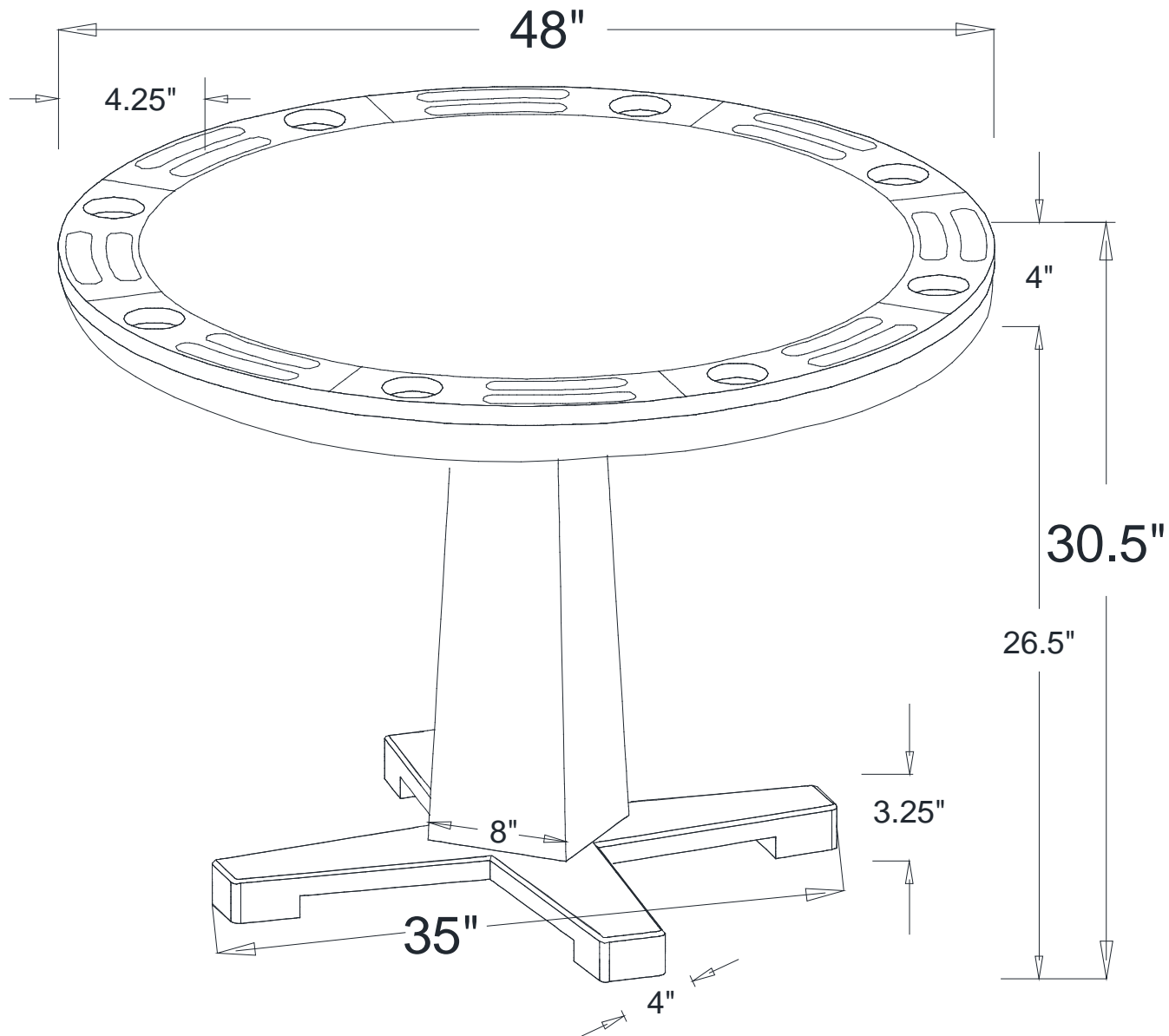
**STEP 3**



**STEP 4**



ITEM:100171



Note:Dimension tolerance  $\pm 5\%$