

ASSEMBLY INSTRUCTIONS COASTER FINE FURNITURE



Fine Furniture for every stage of life

100172 ARM CHAIR

REVISION 0: 10/4/2019

REVISION 1: 6/1/2022

REVISION 2: 4/28/2023

ITEM: 100172



ASSEMBLY INSTRUCTIONS

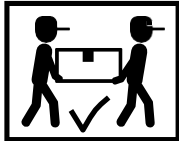
ASSEMBLY TIPS:

1. Remove hardware from box and sort by size.
2. Please check to see that all hardware and parts are present prior to start of assembly.
3. Please follow attached instructions in the same sequence as numbered to assure fast & easy assembly.



WARNING!

1. Don't attempt to repair or modify parts that are broken or defective. Please contact the store immediately.
2. This product is for home use only and not intended for commercial establishments.



ASSEMBLY TIME

30 MINUTES

PARTS IDENTIFICATION

A	BACKREST		1
B	SEAT		1
C	LEFT ARMREST		1
D	RIGHT ARMREST		1
E	BASE		1
F	CASTER		5
G	SEAT PLATE		1
H	WOODEN COVER		1
I	SUPPORTING BAR		1










REVIVION
0:12/20/2018

COASTERFURNITURE.COM

ITEM:100172

HARDWARE IDENTIFICATION



1	SCRERW (5/16*55mm)		5
2	SCRERW (5/16*45mm)		4
3	SCRERW (1/4*25mm)		4
4	METAL WASHER (5/16*19)		11
5	ALLEN WRENCH (1/4mm)		1
6	ALLEN WRENCH (5*16)		1
7	GLUE		1
8	WOODEN PLUG (15*9mm)		2
9	LARGE SPRING WASHER (5/16)		11

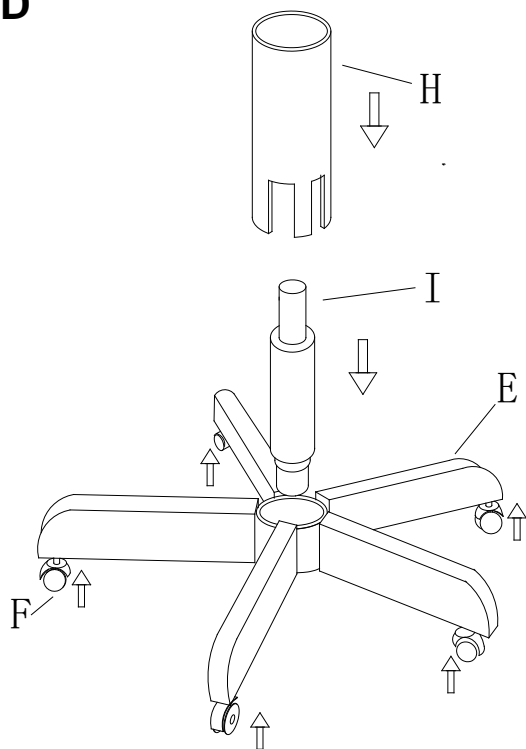
NOTE:

Phillips head screw driver is required in the assembly process; however, manufacturer does not provide this item.

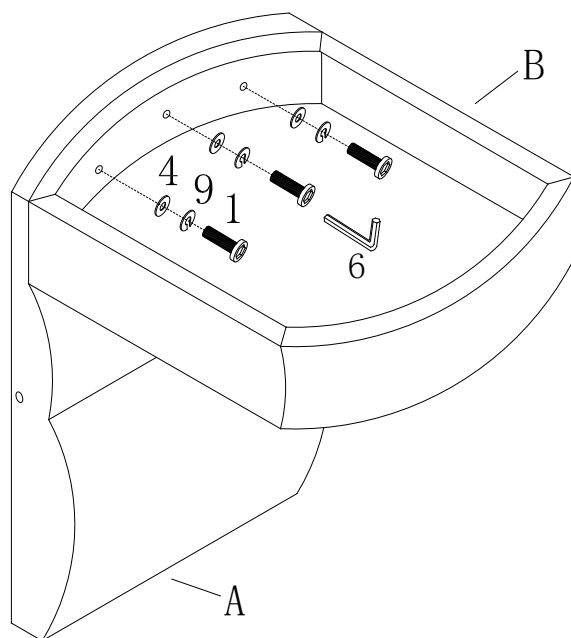
ITEM: **100172**



ASSEMBLY INSTRUCTIONS
LOWER BED END
STEP 1



UPPER BED END
STEP 2

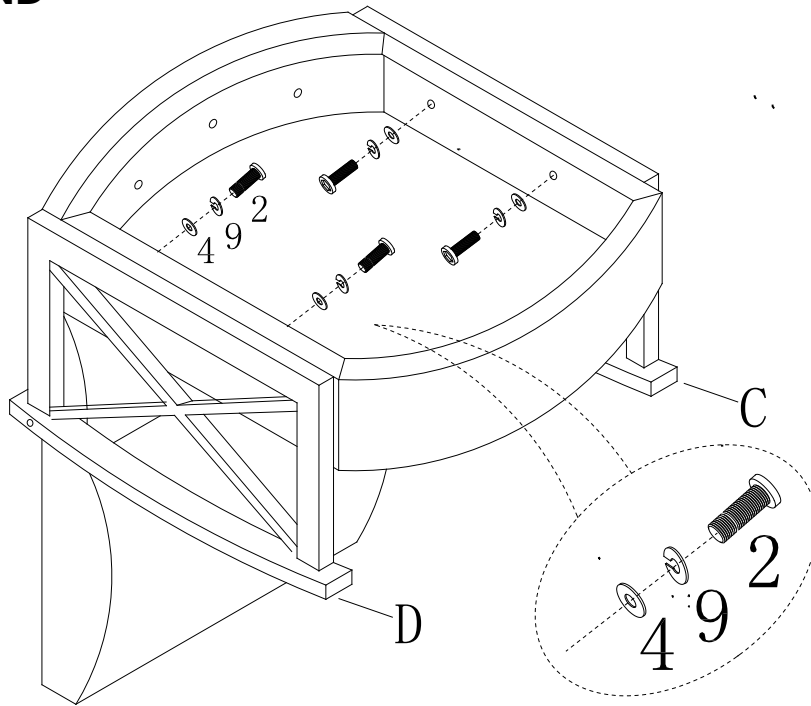


COASTERFURNITURE.COM

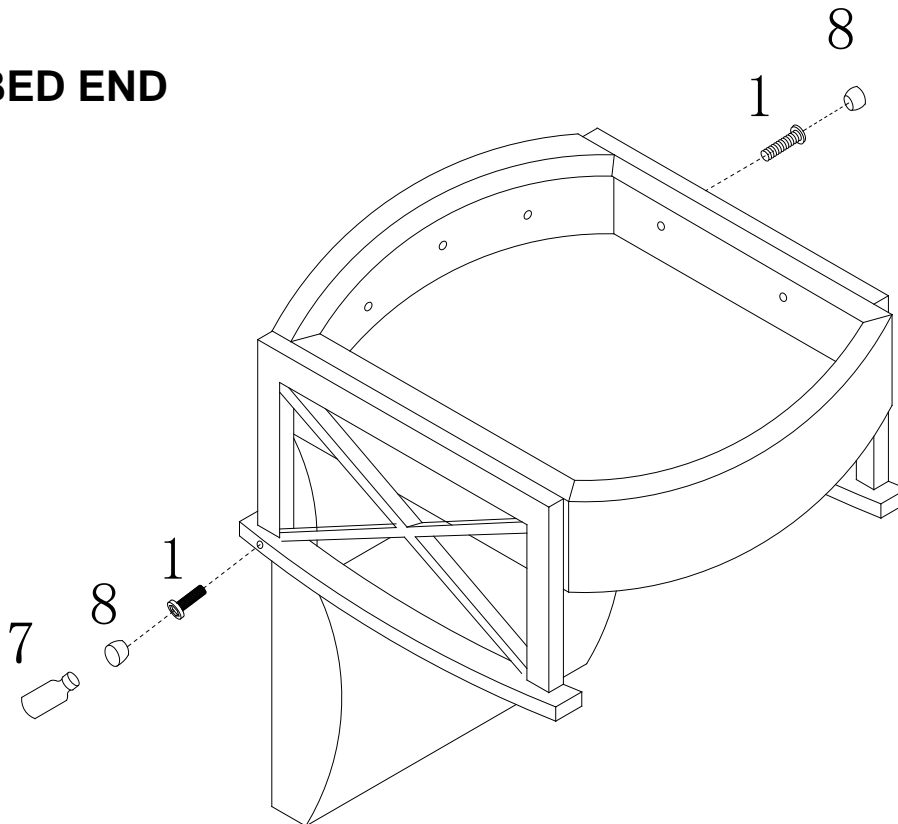
ITEM: **100172**



ASSEMBLY INSTRUCTIONS
LOWER BED END
STEP 3



UPPER BED END
STEP 4

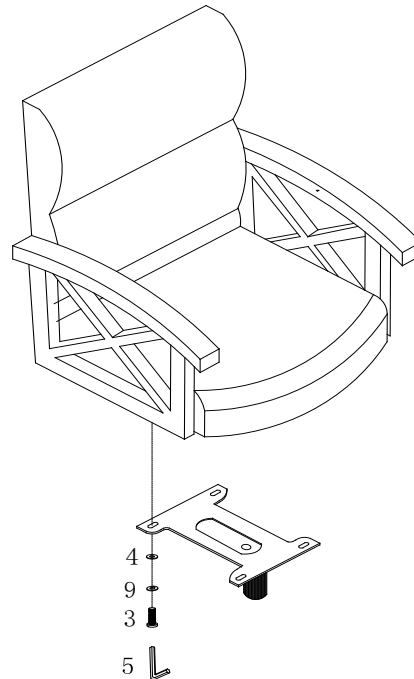


COASTERFURNITURE.COM

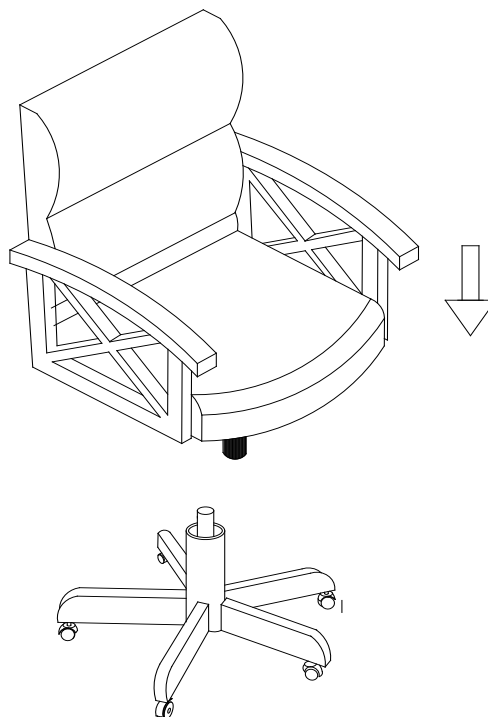
ITEM: **100172**



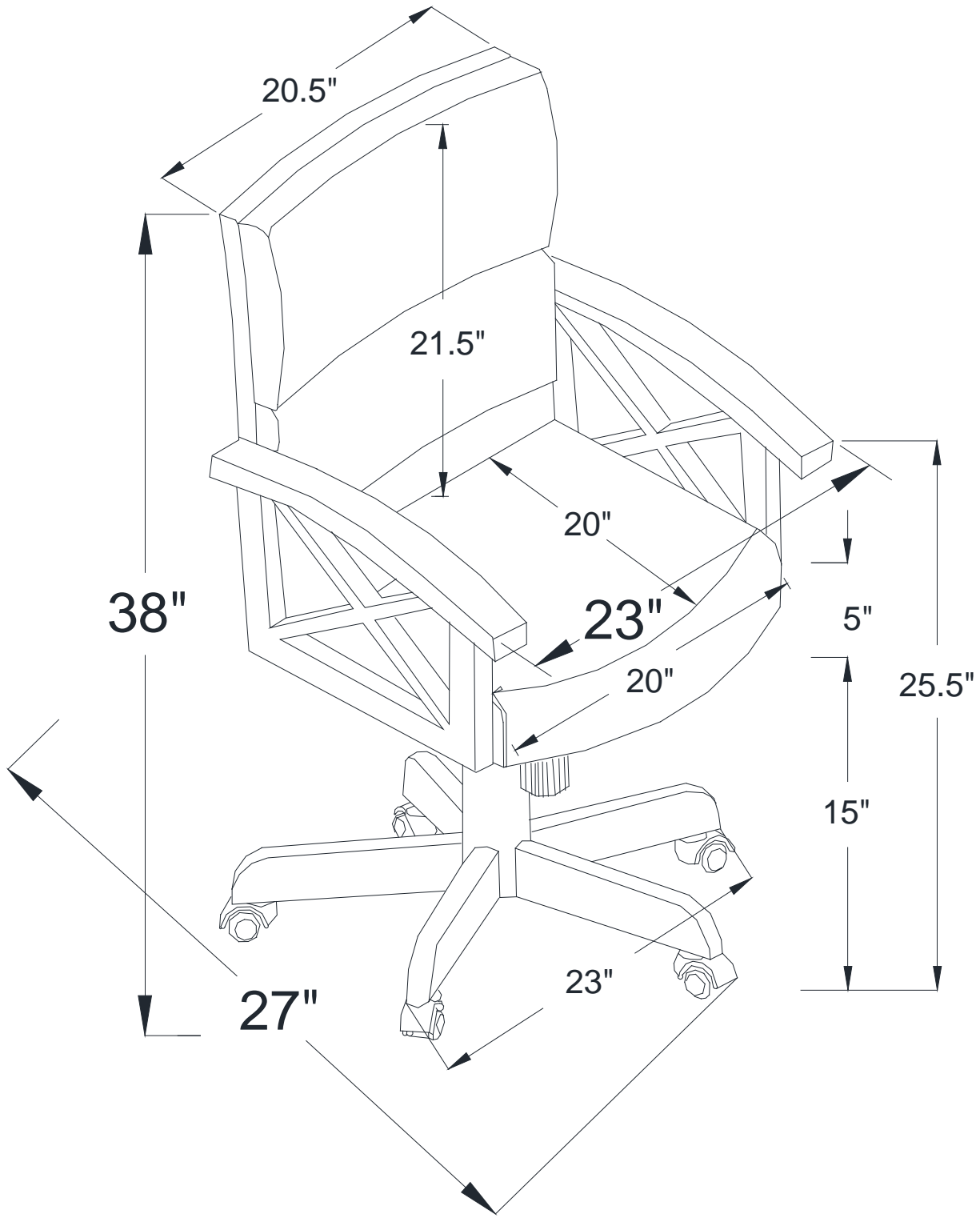
ASSEMBLY INSTRUCTIONS
LOWER BED END
STEP 5



UPPER BED END
STEP 6



ITEM:100172



Note:Dimension tolerance $\pm 5\%$

