

ASSEMBLY INSTRUCTIONS
COASTER FINE FURNITURE



Fine Furniture for every stage of life

721528
2PC NESTING TABLE

REVISION 0 : 12/10/2020
REVISION 1 : 05/09/2023

ITEM:721528



ASSEMBLY INSTRUCTIONS

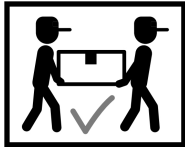
ASSEMBLY TIPS:

1. Remove hardware from box and sort by size.
2. Please check to see that all hardware and parts are present prior to start of assembly.
3. Please follow attached instructions in the same sequence as numbered to assure fast & easy assembly.



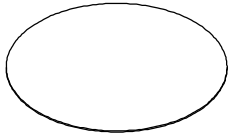
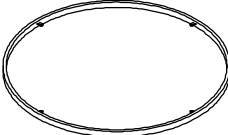
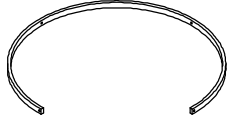
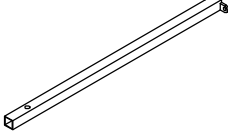
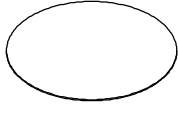

WARNING!

1. Don't attempt to repair or modify parts that are broken or defective. Please contact the store immediately.
2. This product is for home use only and not intended for commercial establishments.



ASSEMBLY TIME 45 MINUTES

PARTS IDENTIFICATION

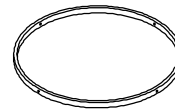
A	LARGE TABLE GLASS		1PC
B	LARGE TABLE TOP FRAME		1PC
C	LARGE TABLE BOTTOM FRAME		1PC
D	LARGE TABLE LEG		4PCS
E	SMALL TABLE GLASS		1PC
F	SMALL TABLE TOP FRAME		1PC

ITEM:721528

ASSEMBLY INSTRUCTIONS

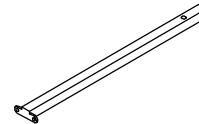


G SMALL TABLE BOTTOM FRAME



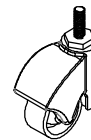
1PC

H SMALL TABLE LEG



4PCS

I CASTER



4PCS

HARDWARE IDENTIFICATION

1 SHORT BOLT
(ϕ 1/4" x 15mm SR)



16PCS

2 LONG BOLT
(ϕ 1/4" x 25mm SR)



8PCS

3 CAP
(18 x 18mm BLK)



8PCS

4 SUCTION CUP



8PCS

5 HEXAGONAL KEY



1PC

6 ALLEN KEY
(4mm)



1PC

ITEM:721528

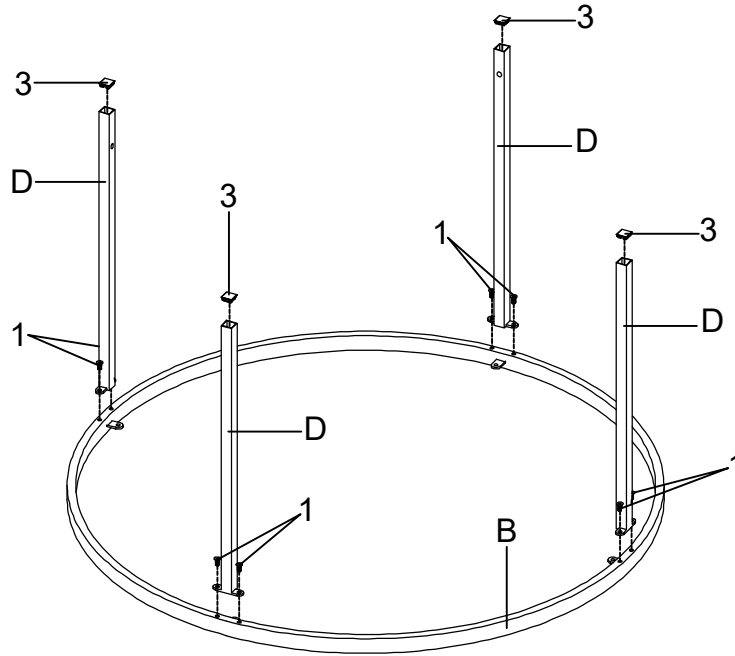


ASSEMBLY INSTRUCTIONS

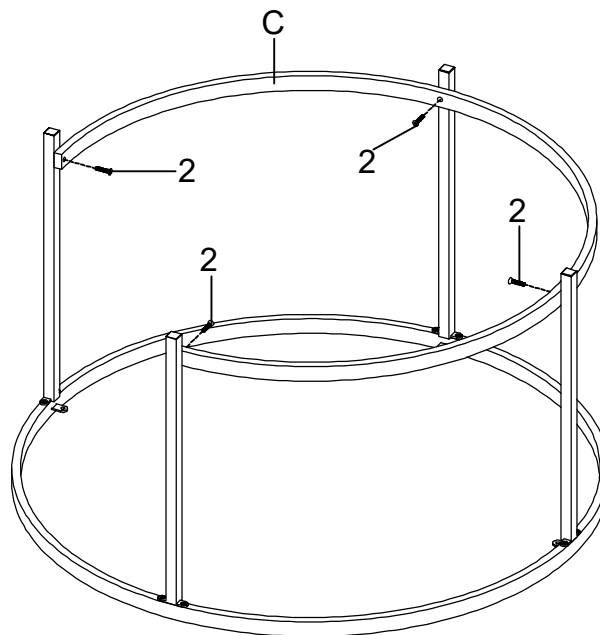
LARGE TABLE

STEP 1

Do not tighten until each step is completed or instructed.
#D & #H legs aren't interchangeable, otherwise #1 casters on small table won't touch the floor.



STEP 2



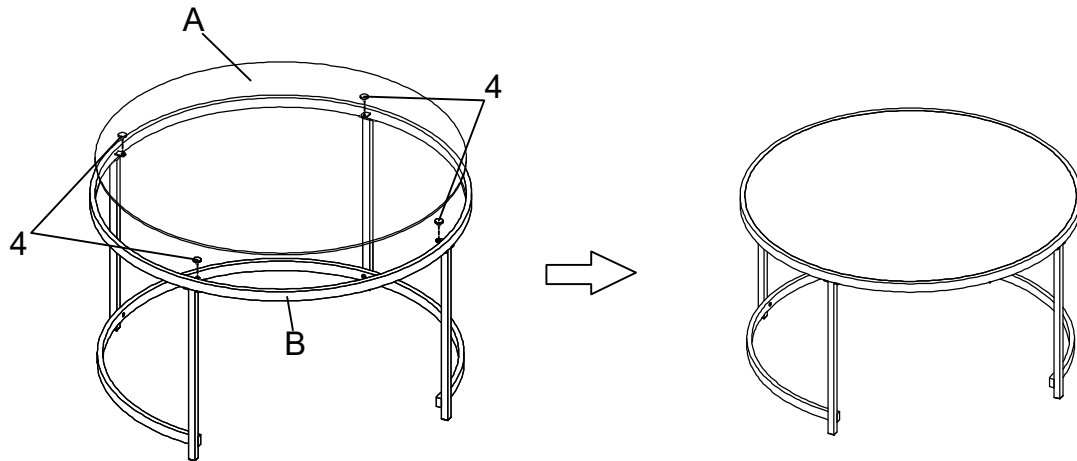
ITEM:721528



ASSEMBLY INSTRUCTIONS

STEP 3

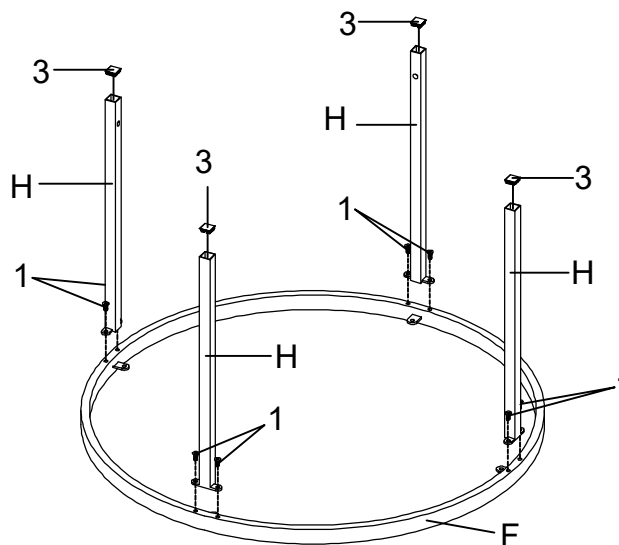
COMPLETE



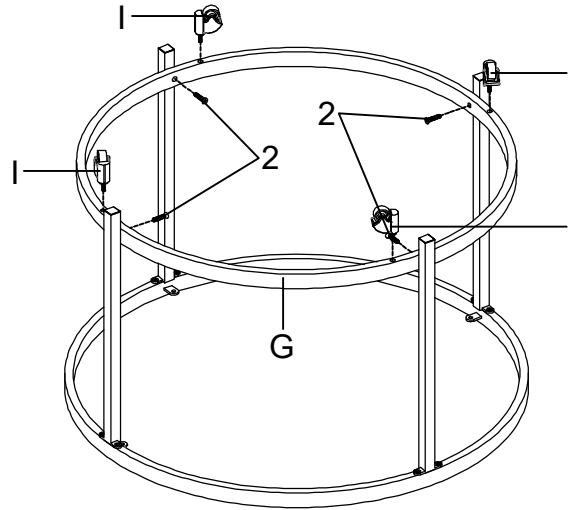
SMALL TABLE

STEP 4

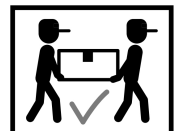
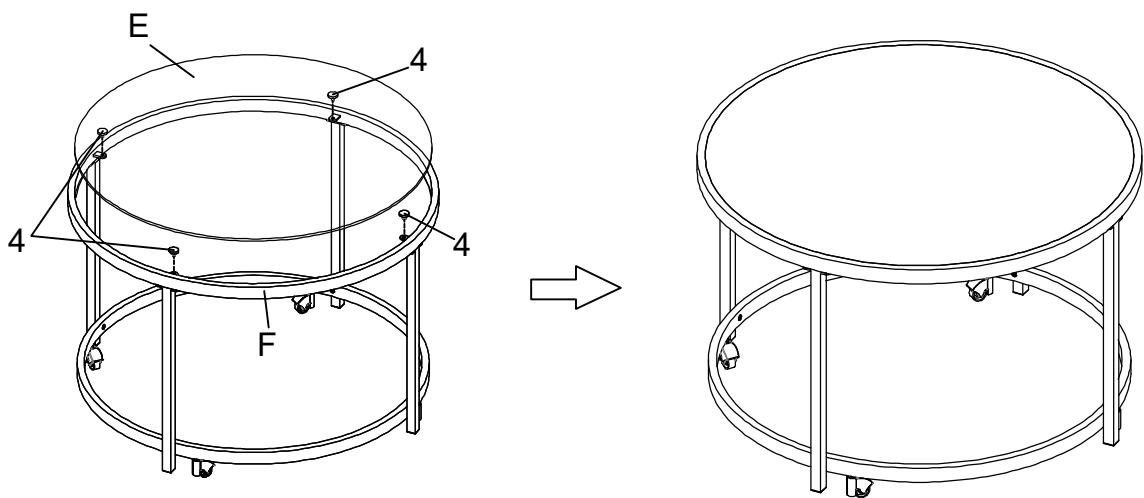
#D & #H legs aren't interchangeable, otherwise #I casters on small table won't touch the floor.



ITEM: 721528
ASSEMBLY INSTRUCTIONS
STEP 5



STEP 6
COMPLETE

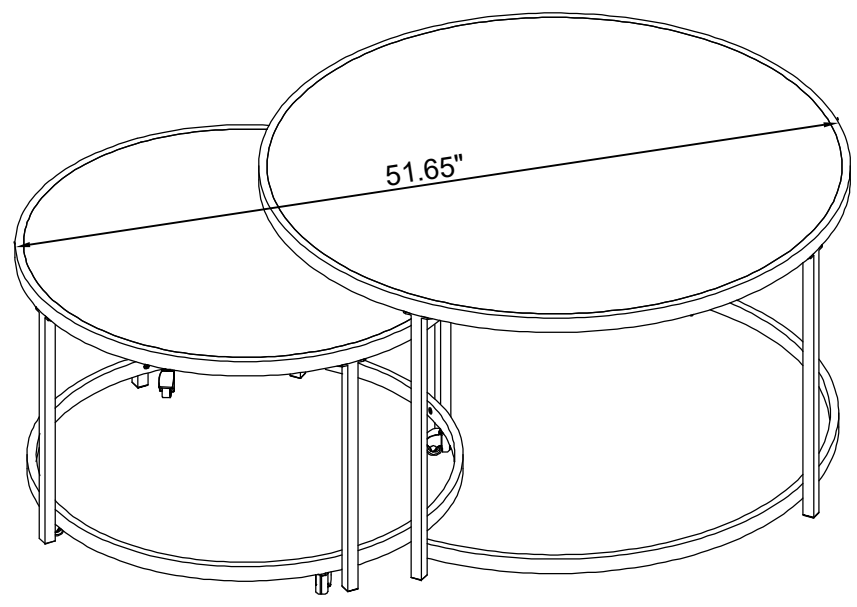
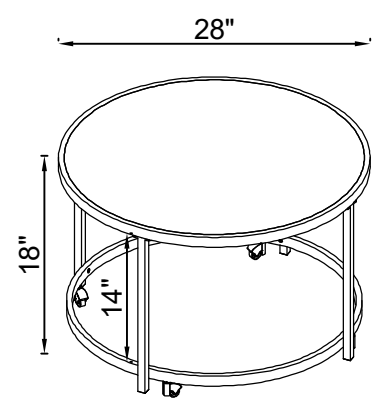
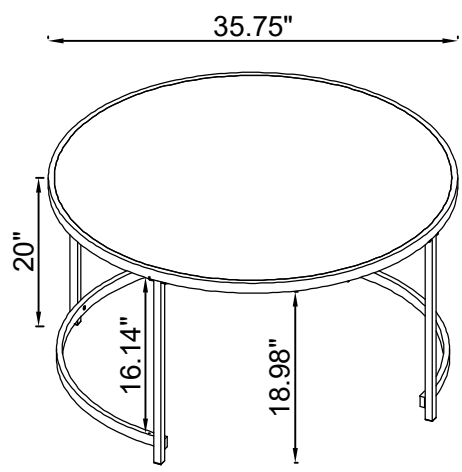


ITEM:721528 ASSEMBLY INSTRUCTIONS



Product Size : DIA 908 X 508 H (MM)
Product Size : DIA 35.75" X 20"

Product Size : DIA 711 X 457 H (MM)
Product Size : DIA 28" X 18"



Note : Dimension tolerance $\pm 5\%$