

**ASSEMBLY INSTRUCTIONS**  
**COASTER FINE FURNITURE**



*Fine Furniture for every stage of life*

**950306**  
**Cabinet**

REVISION 0: 10/4/2019

REVISION 1: 6/1/2022

REVISION 2: 4/28/2023

ITEM:950306



## ASSEMBLY INSTRUCTIONS

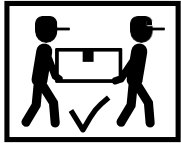
### ASSEMBLY TIPS:

1. Remove hardware from box and sort by size.
2. Please check to see that all hardware and parts are present prior to start of assembly.
3. Please follow attached instructions in the same sequence as numbered to assure fast & easy assembly.



### WARNING!

1. Don't attempt to repair or modify parts that are broken or defective. Please contact the store immediately.
2. This product is for home use only and not intended for commercial establishments.



ASSEMBLY TIME

45 MINUTES

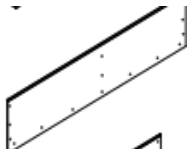

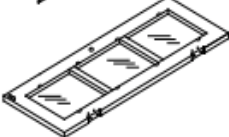
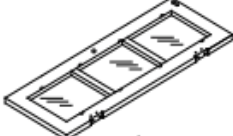


## PARTS IDENTIFICATION

A	LEFT SIDE FRAME		1
B	MIDDLE FRAME		1
C	RIGHT SIDE FRAME		1
D	BOTTOM PANEL		2
E	FRONT RAIL		2
F	BACK RAIL		2
G	TOP PANEL		1
H	MIRROR PANEL		4

ITEM:950306



## PARTS IDENTIFICATION

I	UPPER & LOWER BACK PANEL		2
J	MIDDLE BACK PANEL		1
K	RIGHT DOOR		2
L	LEFT DOOR		2
M	SHELF		4
N	GLASS CLAMP		2

**ITEM:950306**

**HARDWARE IDENTIFICATION**



1	WOOD DOWEL	8*30mm		15
2	CAM BOLT	15*12mm		22
3	CAM LOCK	35*11mm		22
4	LONG BOLT	1/4*30mm		4
5	ROUND HEAD SHORT SCREW	6*3*12mm		39
6	SHORT BOLT	5/32*20mm		4
7	KNOB	28*24mm		4
8	HINGE	60*20*1.2		8
9	FLAT HEAD SCREW	5*3*12mm		56
10	SHELF HOLDER	25*15*12		16
11	MAGNET	45*15*18		4
12	ROUND HEAD LONG SCREW	6*3*14mm		8

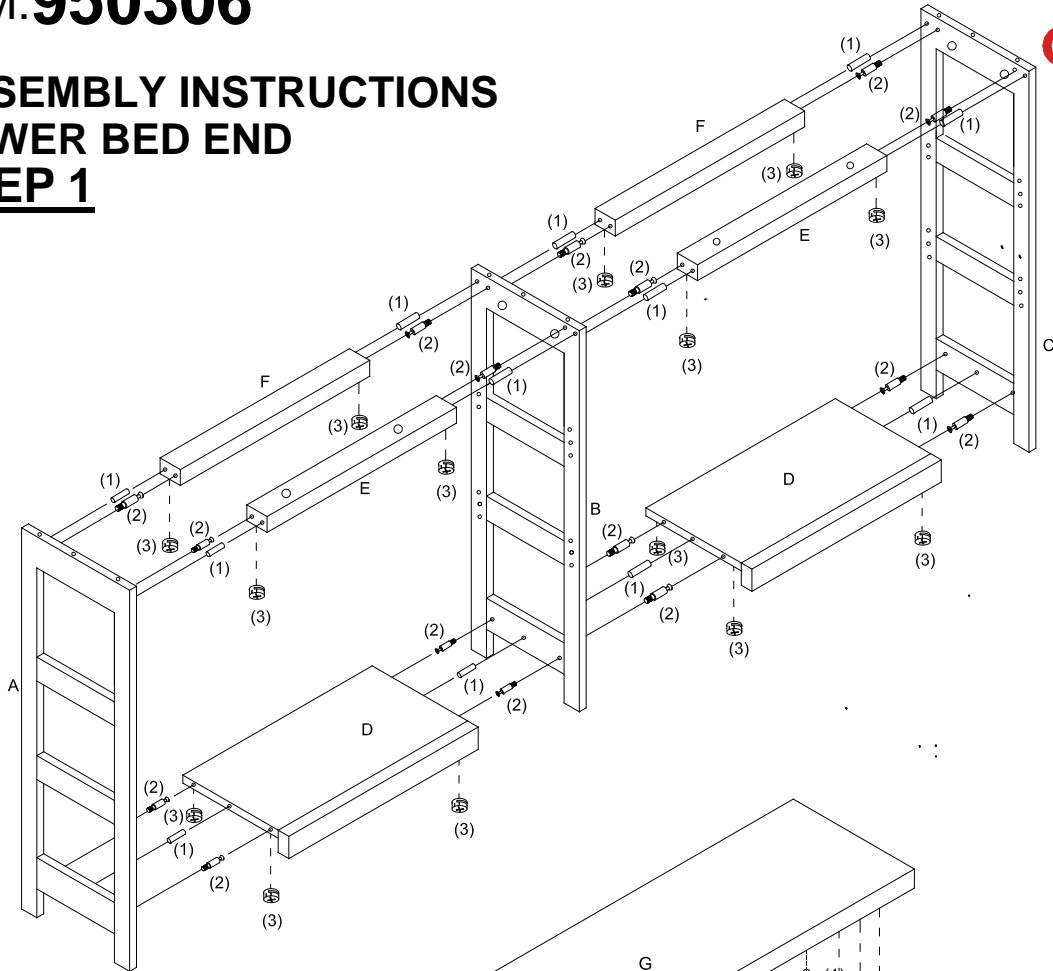
**NOTE:**

Phillips head screw driver is required in the assembly process; however, manufacturer does not provide this item.

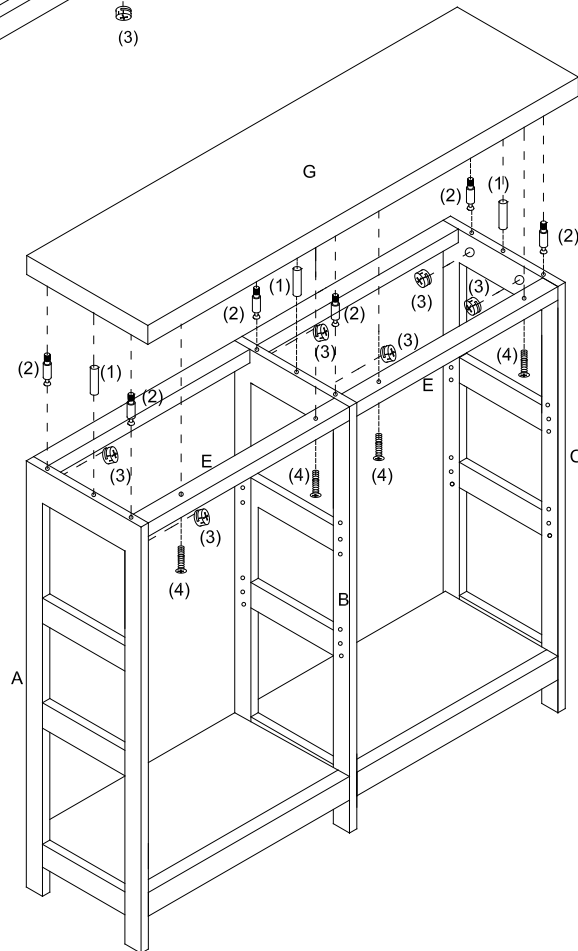
ITEM: **950306**



**ASSEMBLY INSTRUCTIONS**  
**LOWER BED END**  
**STEP 1**



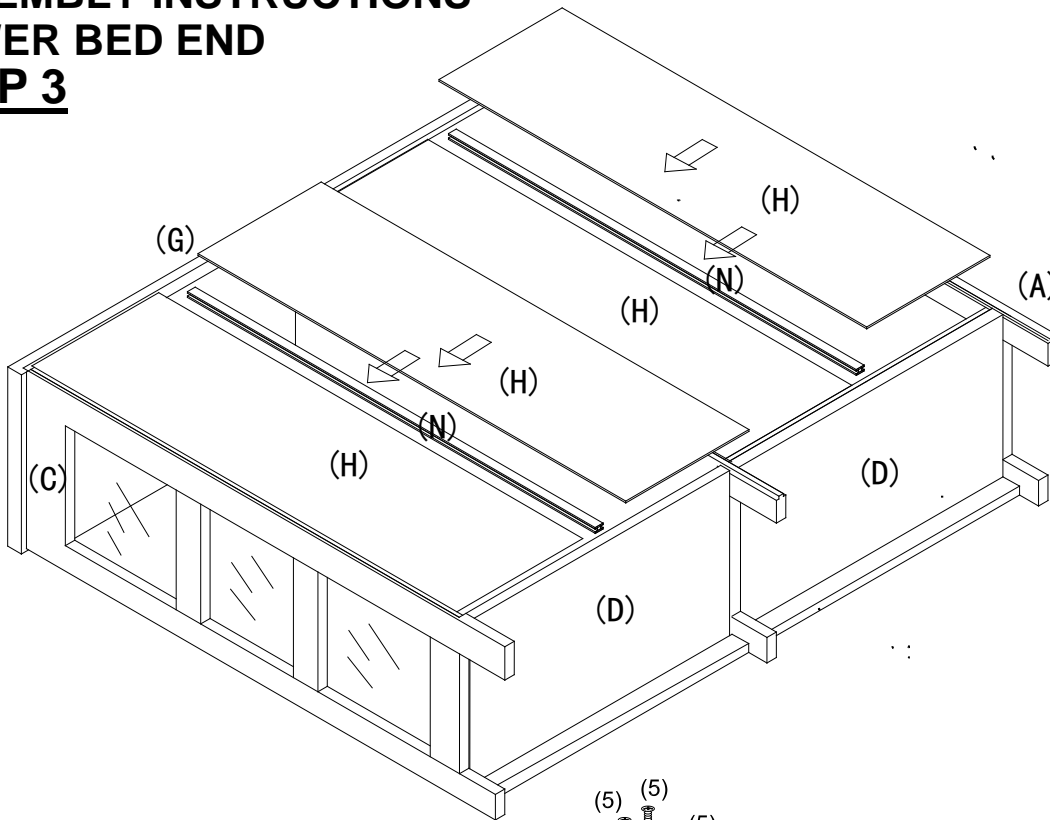
**UPPER BED END**  
**STEP 2**



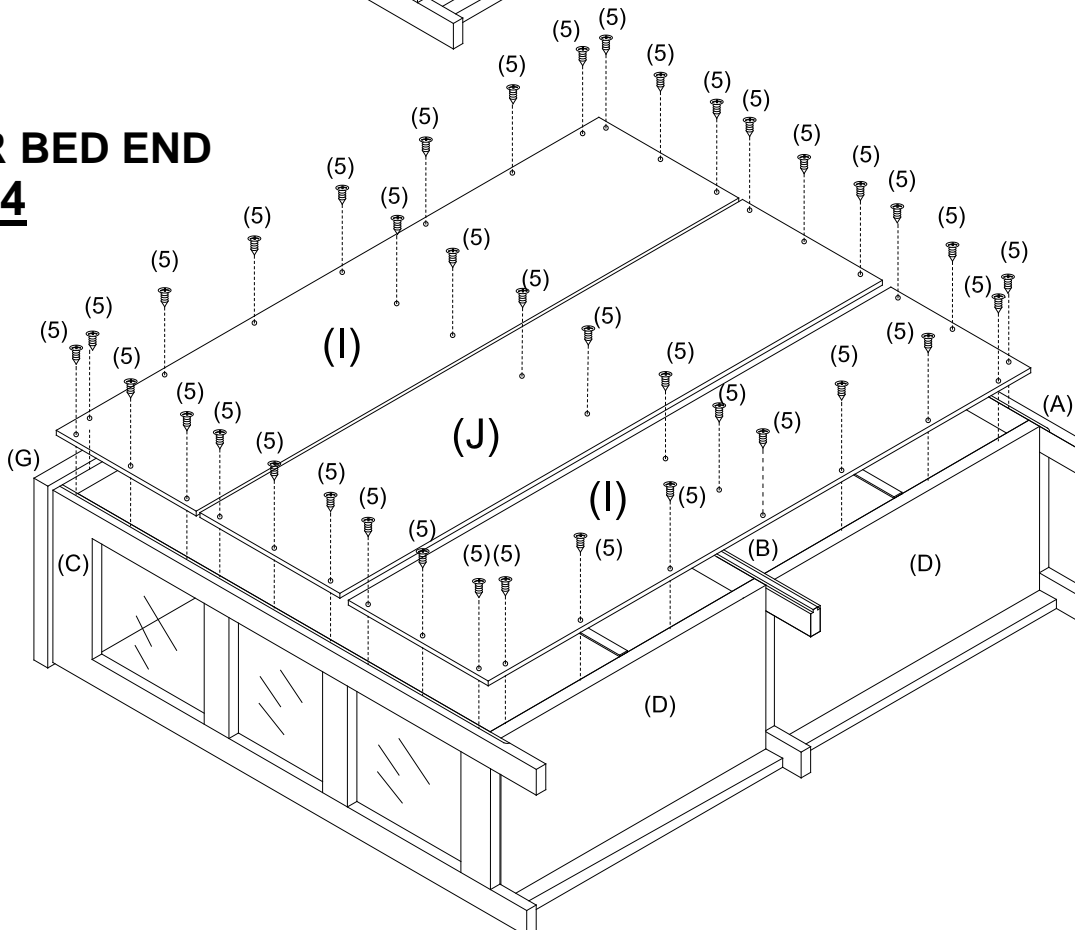
ITEM: **950306**



**ASSEMBLY INSTRUCTIONS**  
**LOWER BED END**  
**STEP 3**



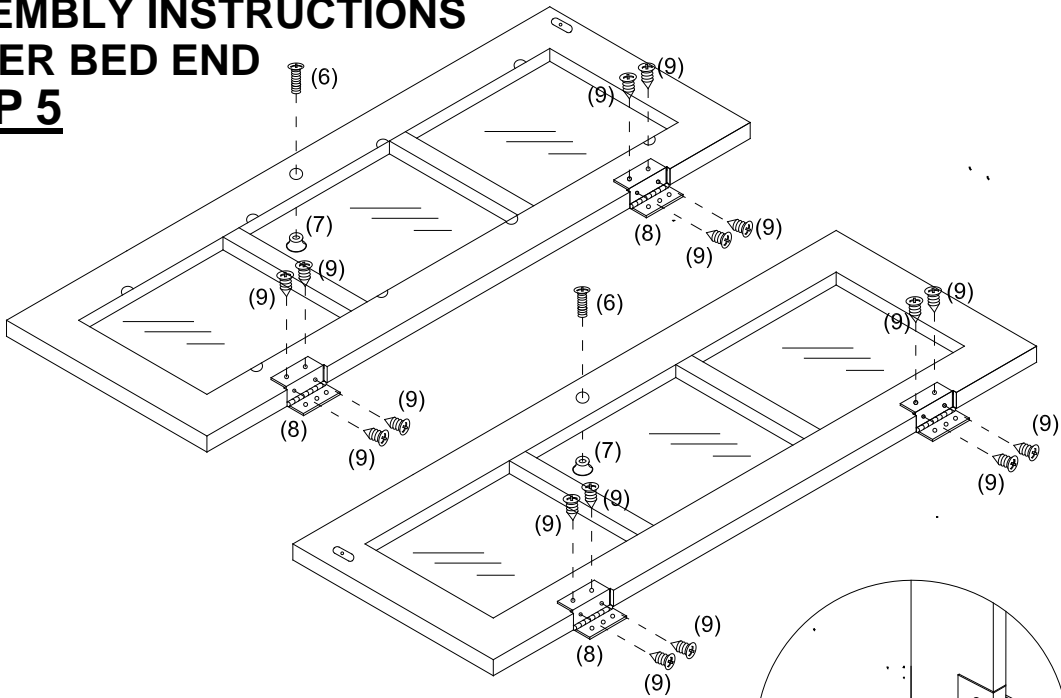
**UPPER BED END**  
**STEP 4**



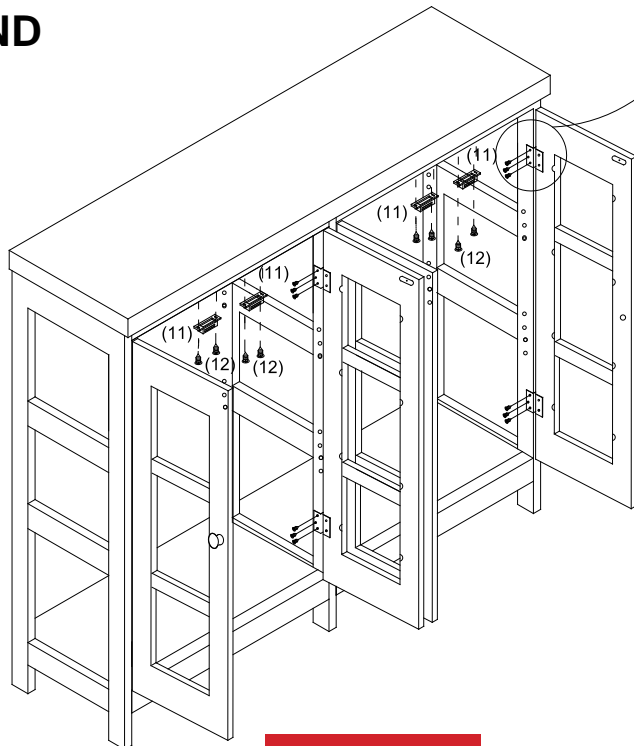
ITEM: **950306**



**ASSEMBLY INSTRUCTIONS**  
**LOWER BED END**  
**STEP 5**

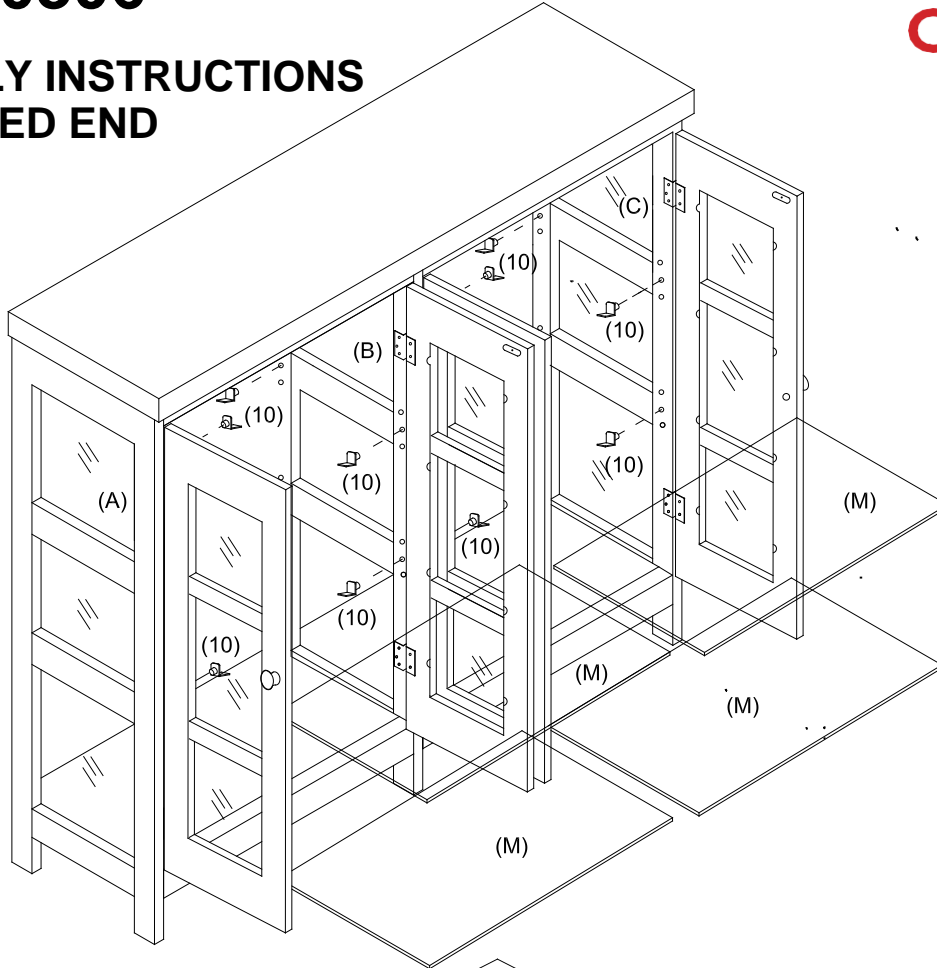


**UPPER BED END**  
**STEP 6**

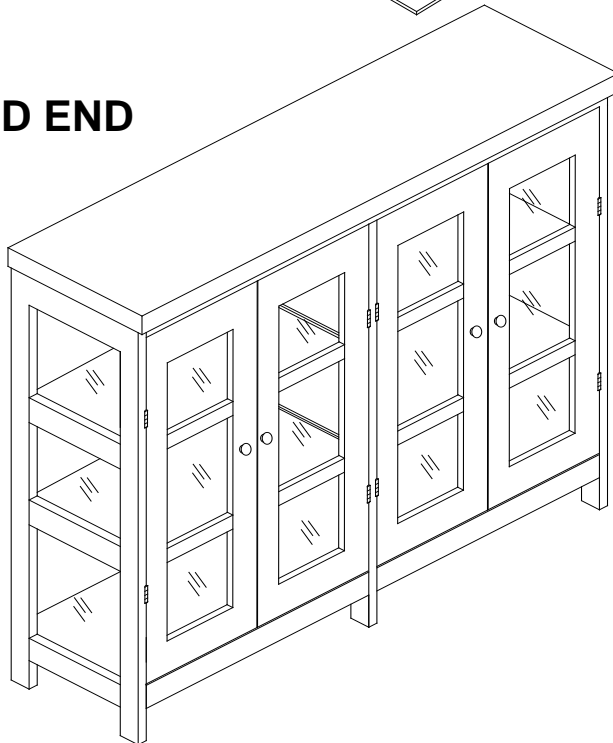


ITEM: **950306**

**ASSEMBLY INSTRUCTIONS**  
**LOWER BED END**  
**STEP 7**



**UPPER BED END**  
**STEP 8**

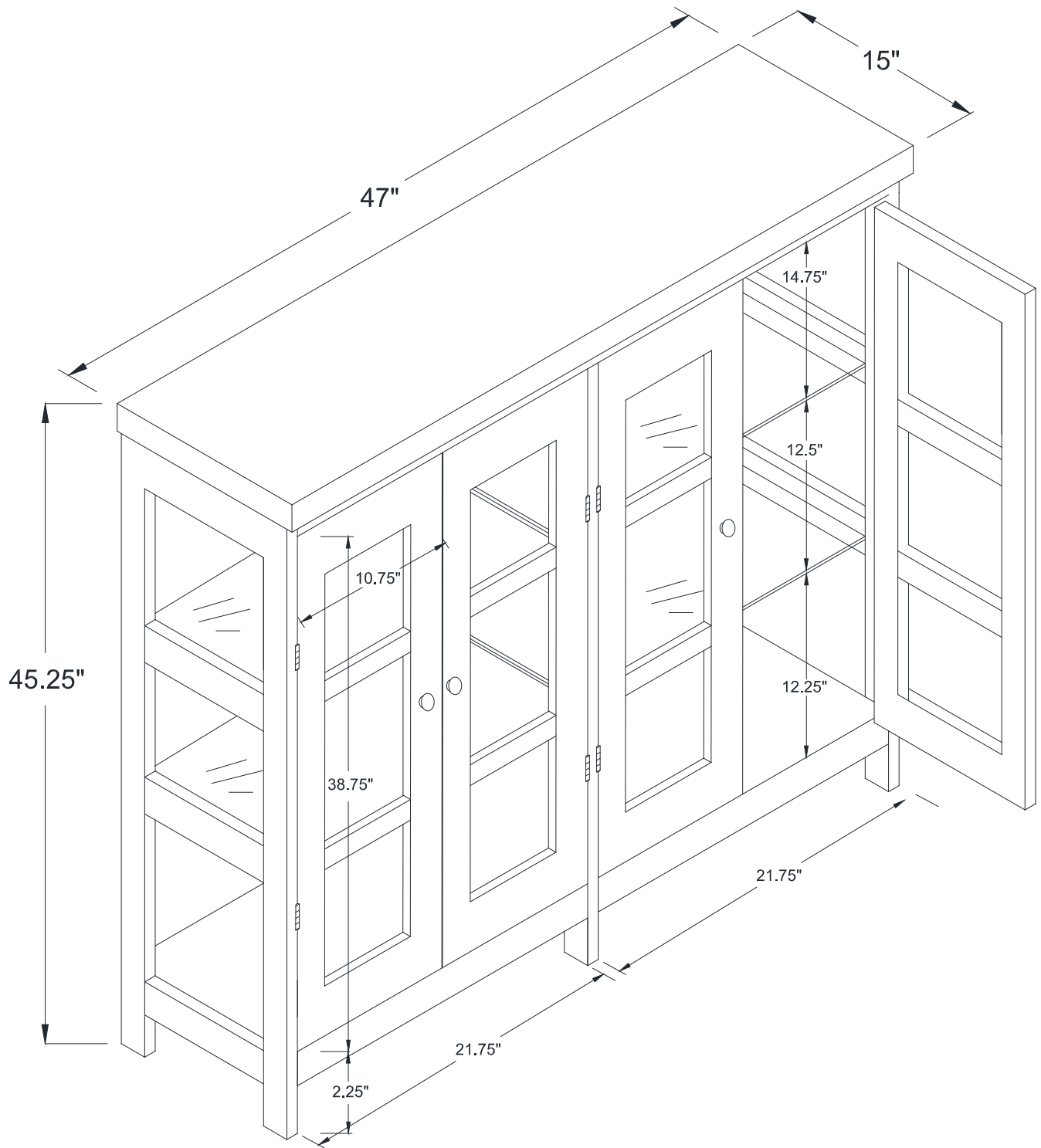


**FURNITURE TIPPING RESTRAINT**

**WARNING**  
injury may result from tipping furniture  
This restraint is not a substitute for  
proper adult supervision  
This restraint may provide protection  
against tipping furniture  
Do not allow children to climb on  
furniture  
Failure to detach this restraint before  
moving furniture may result in injury and  
damage



ITEM: **950306**



Note: Dimension tolerance  $\pm 5\%$