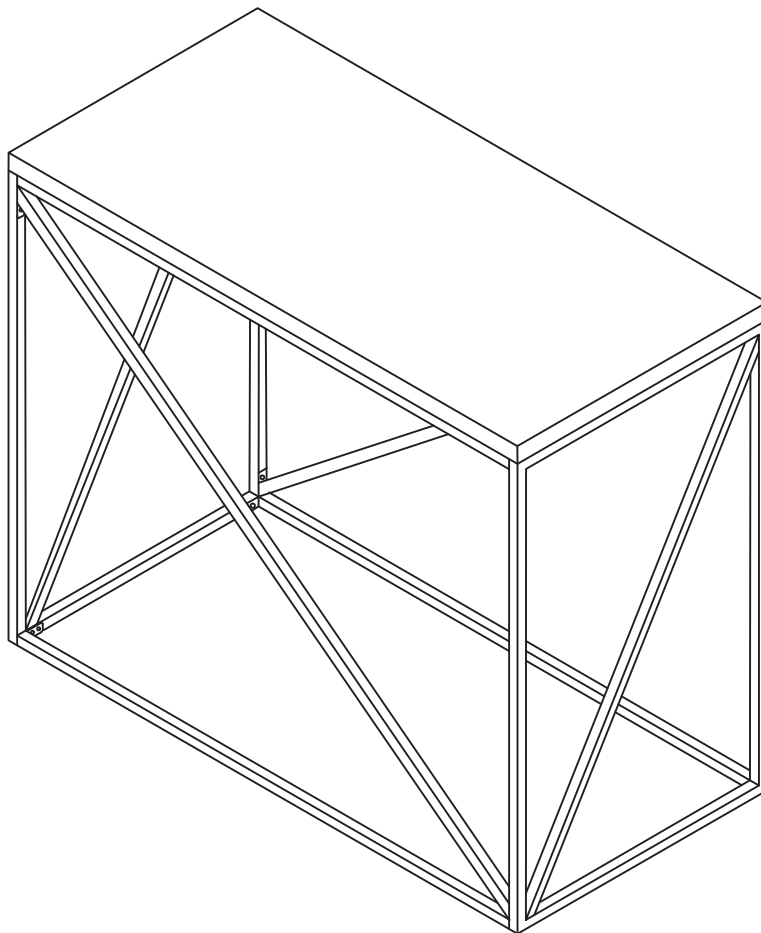


**ASSEMBLY INSTRUCTIONS**  
**COASTER FINE FURNITURE**



*Fine Furniture for every stage of life*

**705619**  
**Sofa Table**

REVISION 0 : 05/07/2019  
REVISION 1 : 04/28/2021  
REVISION 2 : 11/08/2022  
REVISION H : 05/18/2024

PAGE 1 OF 4

COASTERFURNITURE.COM

ITEM:705619

# ASSEMBLY INSTRUCTIONS



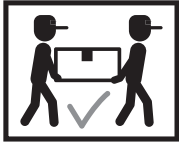
## ASSEMBLY TIPS:

1. Remove hardware from box and sort by size.
2. Please check to see that all hardware and parts are present prior to start of assembly.
3. Please follow attached instructions in the same sequence as numbered to assure fast & easy assembly.



### WARNING!

1. Don't attempt to repair or modify parts that are broken or defective. Please contact the store immediately.
2. This product is for home use only and not intended for commercial establishments.

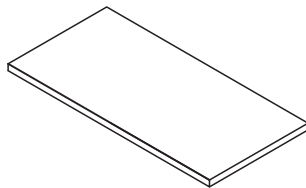


ASSEMBLY TIME

15 MINUTES

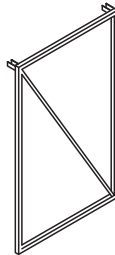
## PARTS IDENTIFICATION

**A** Top



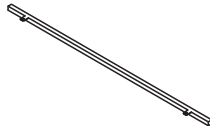
1 PC

**B** Right Side Frame



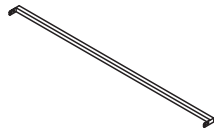
1PC

**C** Top Crossbar



2 PCS

**D** Bottom Crossbar



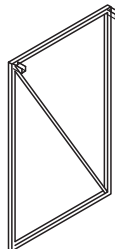
2 PCS

**E** Support Crossbar



2 PCS

**F** Left Side Frame

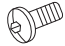



1PC

**ITEM:705619**



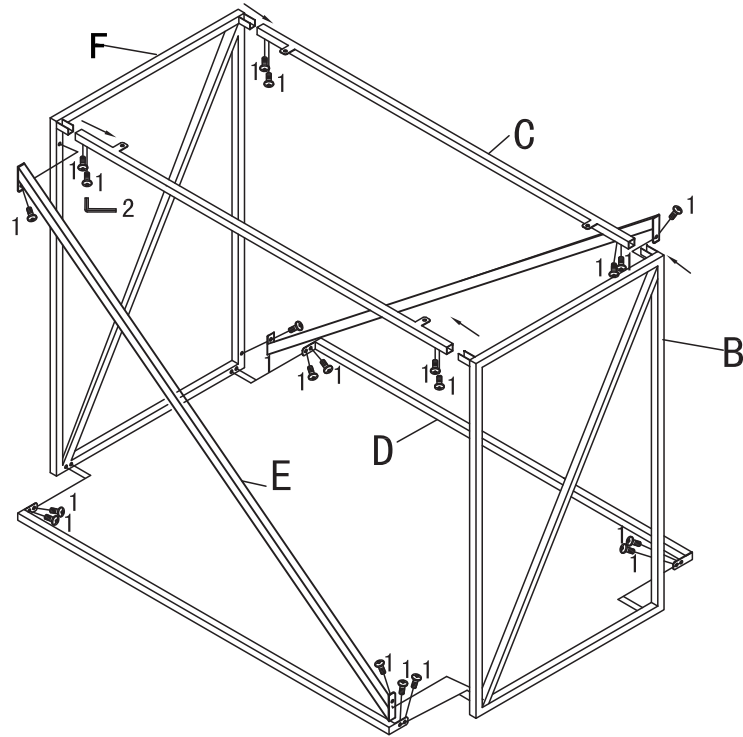
**HARDWARE IDENTIFICATION**

<b>DESCRIPTION</b>	<b>FIGURE</b>	<b>Q'TY</b>
<b>1</b> Short Bolt (M6x12MM)		<b>24 PCS</b>
<b>2</b> Allen wrench (M4)		<b>1 PC</b>

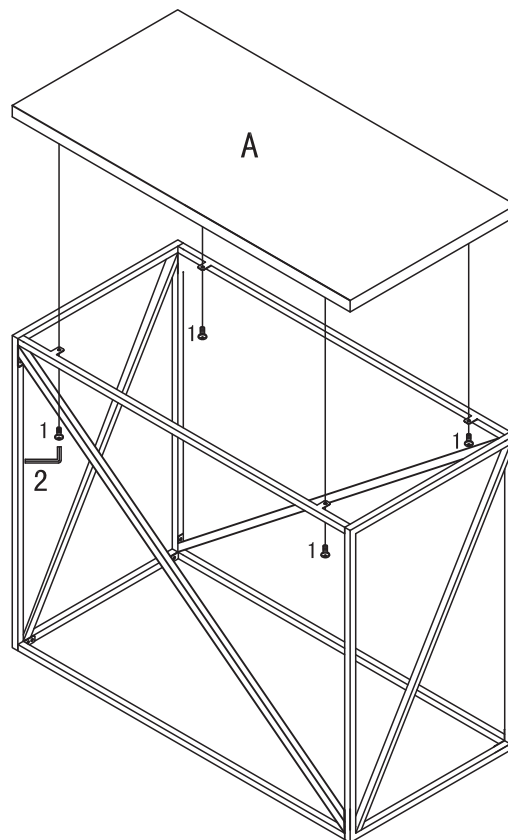
ITEM:705619

ASSEMBLY INSTRUCTIONS

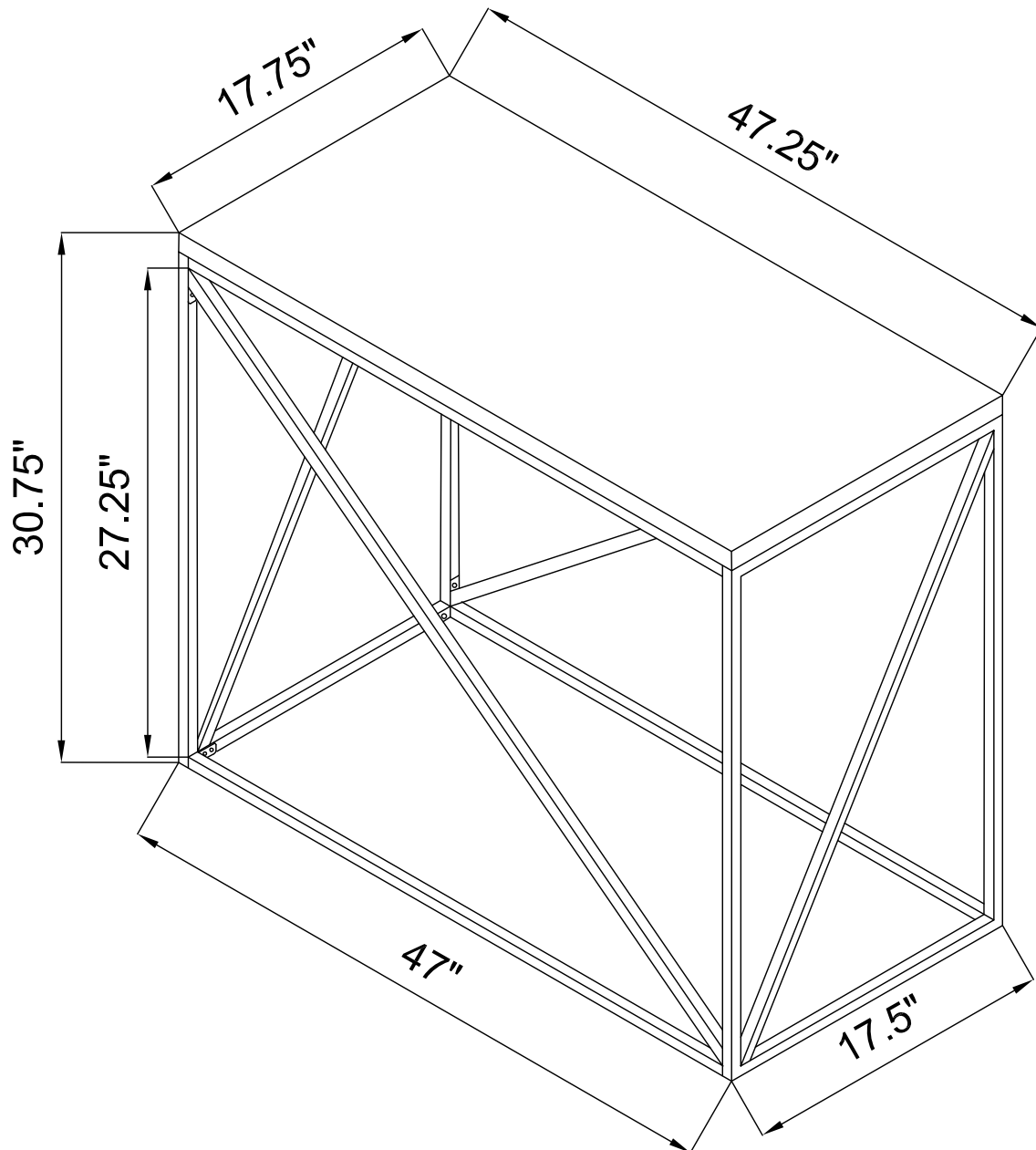
STEP 1



STEP 2



ITEM: 705619



Note: Dimension tolerance  $\pm 5\%$