

ASSEMBLY INSTRUCTIONS
COASTER FINE FURNITURE



Fine Furniture for every stage of life

104171 (B1 & B2)
Dining Table

ITEM: 104171 (B1&B2)

ASSEMBLY INSTRUCTIONS

ASSEMBLY TIPS:

1. Remove hardware from box and sort by size.
2. Please check to see that all hardware and parts are present prior to start of assembly.
3. Please follow attached instructions in the same sequence as numbered to assure fast & easy assembly.



WARNING!

1. Don't attempt to repair or modify parts that are broken or defective. Please contact the store immediately.
2. This product is for home use only and not intended for commercial establishments.

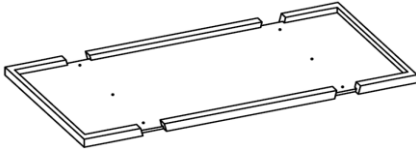

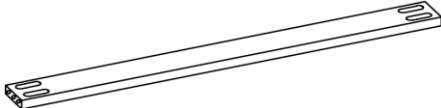


ASSEMBLY TIME

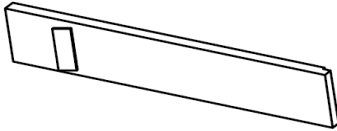
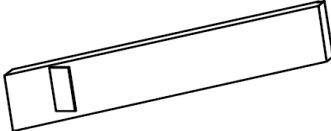


45 MINUTES

PARTS IDENTIFICATION

B1 (BOX 1)

A	TOP		1PC
B	APRON		2PCS
C	TRESTLE BAR		1PC

B2 (BOX 2)

D	LEFT LEG		2PCS
E	RIGHT LEG		2PCS
F	UPPER CROSSBAR		2PCS
G	LOWER CROSSBAR		2PCS

ITEM: 104171 (B1&B2)

ASSEMBLY INSTRUCTIONS

ASSEMBLY TIPS:

1. Remove hardware from box and sort by size.
2. Please check to see that all hardware and parts are present prior to start of assembly.
3. Please follow attached instructions in the same sequence as numbered to assure fast & easy assembly.


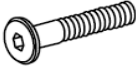
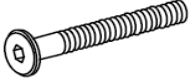
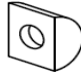






WARNING!

1. Don't attempt to repair or modify parts that are broken or defective. Please contact the store immediately.
2. This product is for home use only and not intended for commercial establishments.

HARDWARE IDENTIFICATION

Z-B1 (BOX 1) - HARDWARE PACK IS LOCATED IN 104171 (B1)

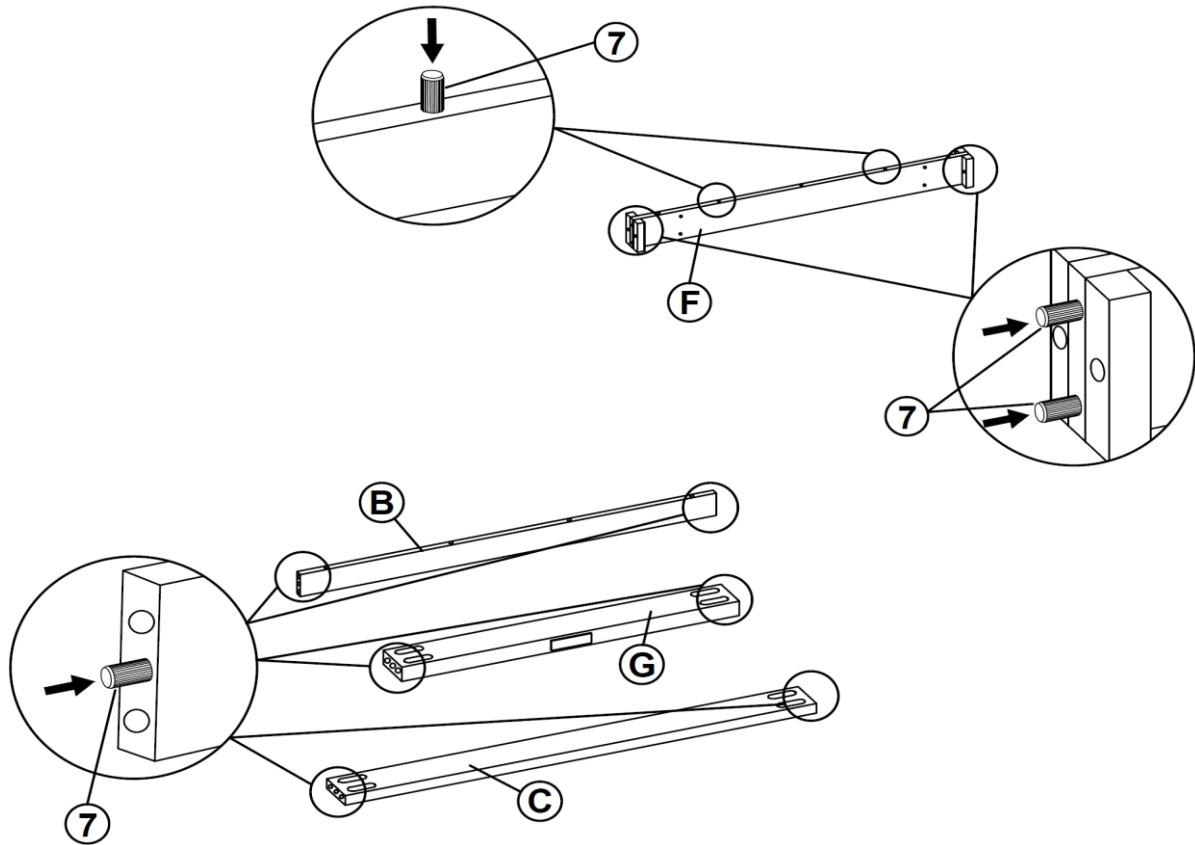
1	ALLEN WRENCH (M4 - BLK)		1PC
2	MEDIUM BOLT (M6 x 50mm - RBW)		28PCS
3	LONG BOLT (M6 x 90mm - RBW)		6PCS
4	HALF ROUND NUT (M6 - BLK)		12PCS
5	LOCK WASHER (M6 - RBW)		22PCS
6	FLAT WASHER (M6 - RBW)		16PCS
7	PLASTIC DOWEL (M8 x 30mm - BLK)		22PCS
8	FLAT HEAD SCREW (M4 x 38mm - RBW)		8PCS

NOTE:

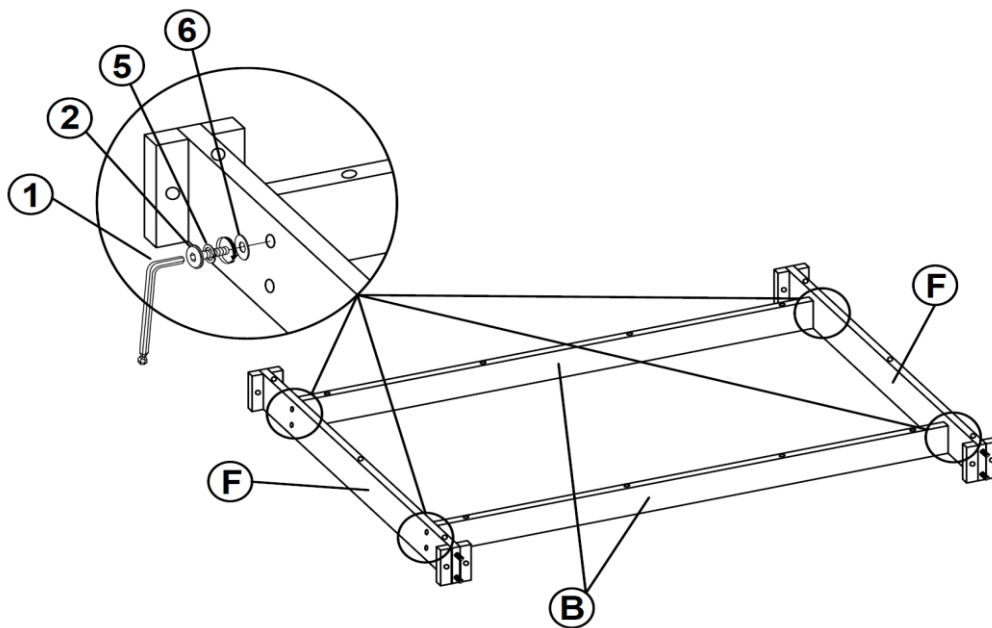
Phillips head screw driver is required in the assembly process; however, manufacturer does not provide this item.

ITEM: 104171 (B1&B2)

ASSEMBLY INSTRUCTIONS STEP 1



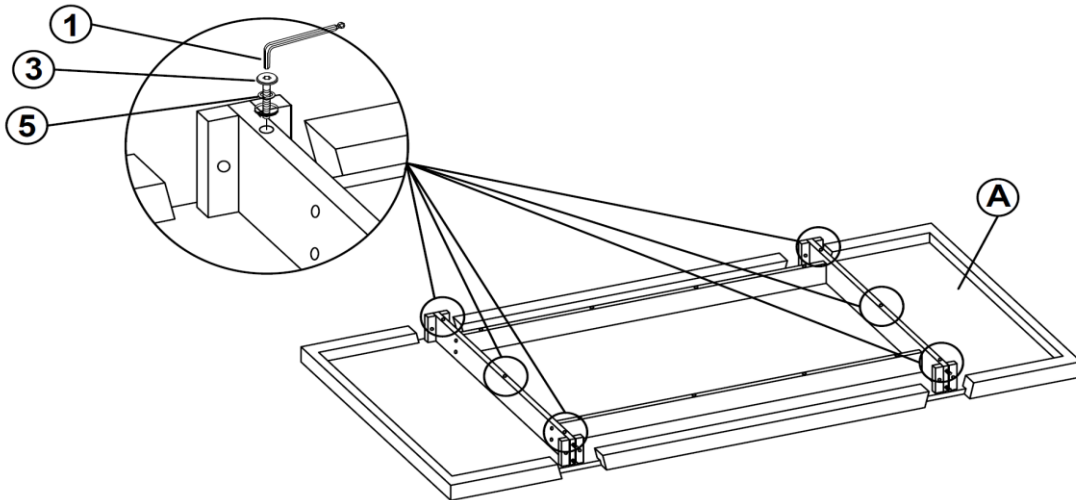
STEP 2



* Do not fully tighten the bolt.

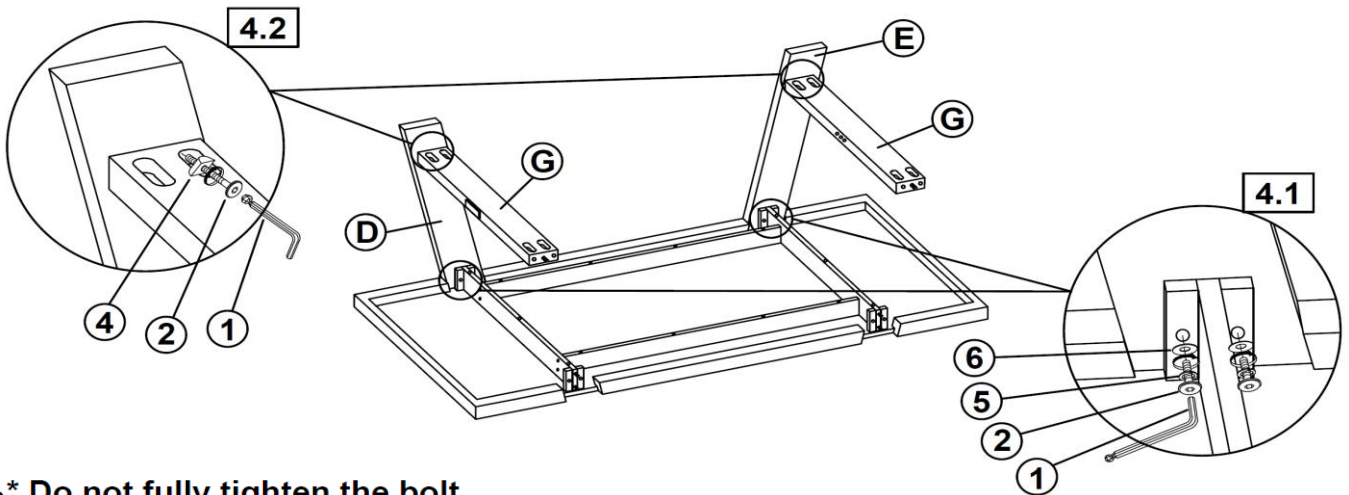
ITEM: 104171 (B1&B2)

ASSEMBLY INSTRUCTIONS STEP 3



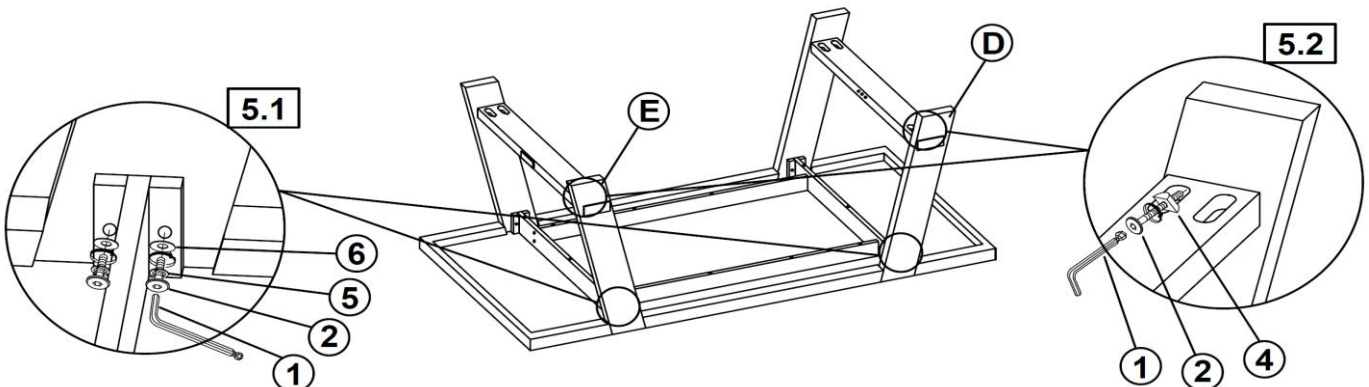
* Do not fully tighten the bolt.

STEP 4



* Do not fully tighten the bolt.

STEP 5

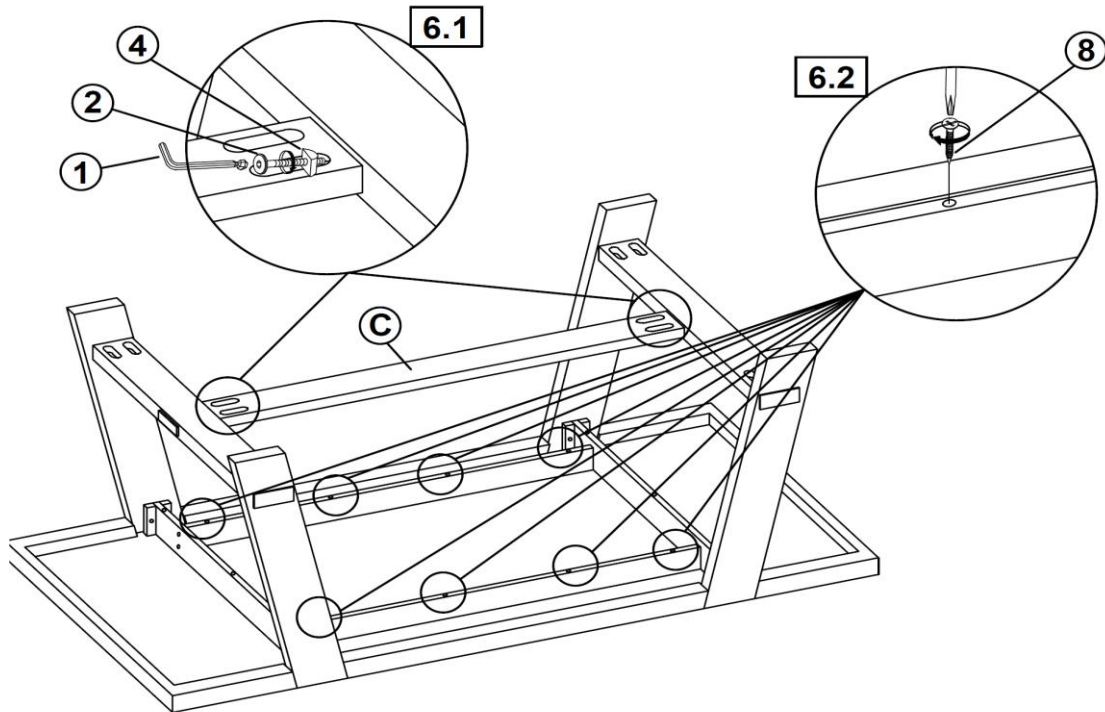


* Do not fully tighten the bolt.

ITEM: **104171 (B1&B2)**

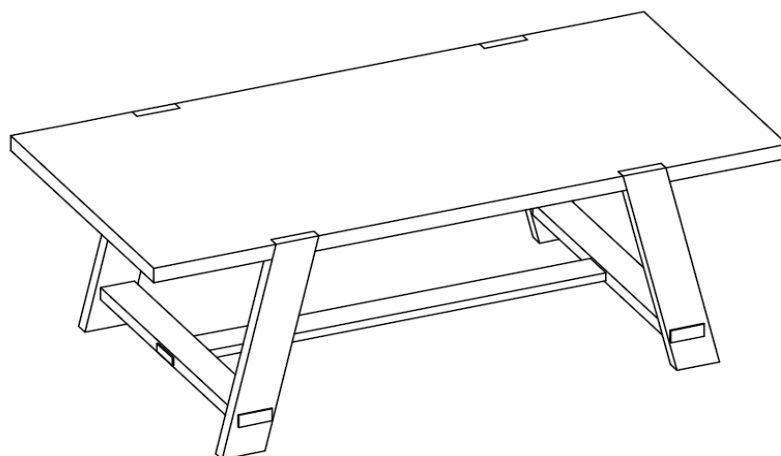


ASSEMBLY INSTRUCTIONS
STEP 6

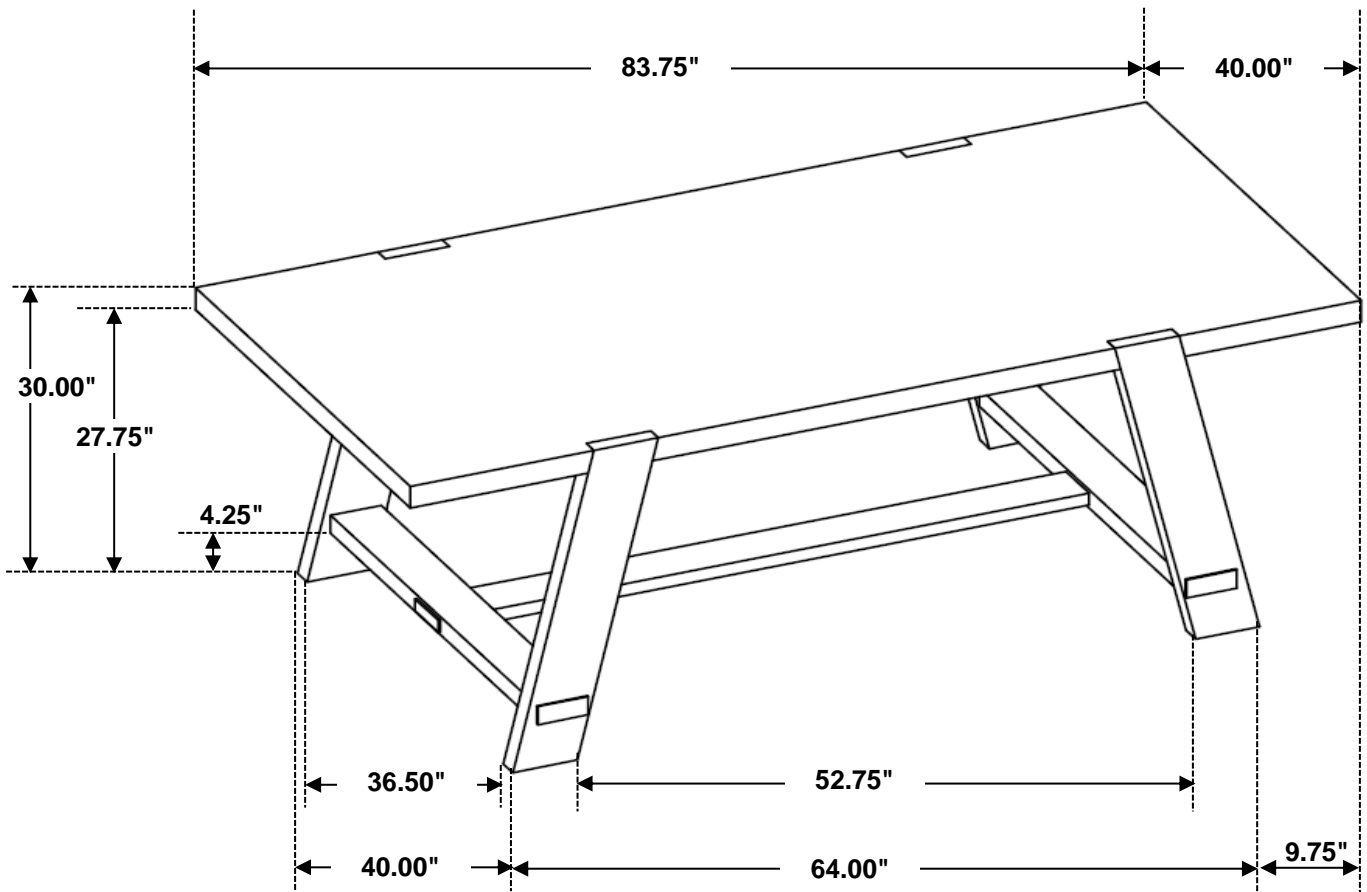


* Fully tighten all the bolts.

STEP 7
COMPLETE



ITEM: 104171 (B1&B2)



Note: Dimension tolerance $\pm 5\%$