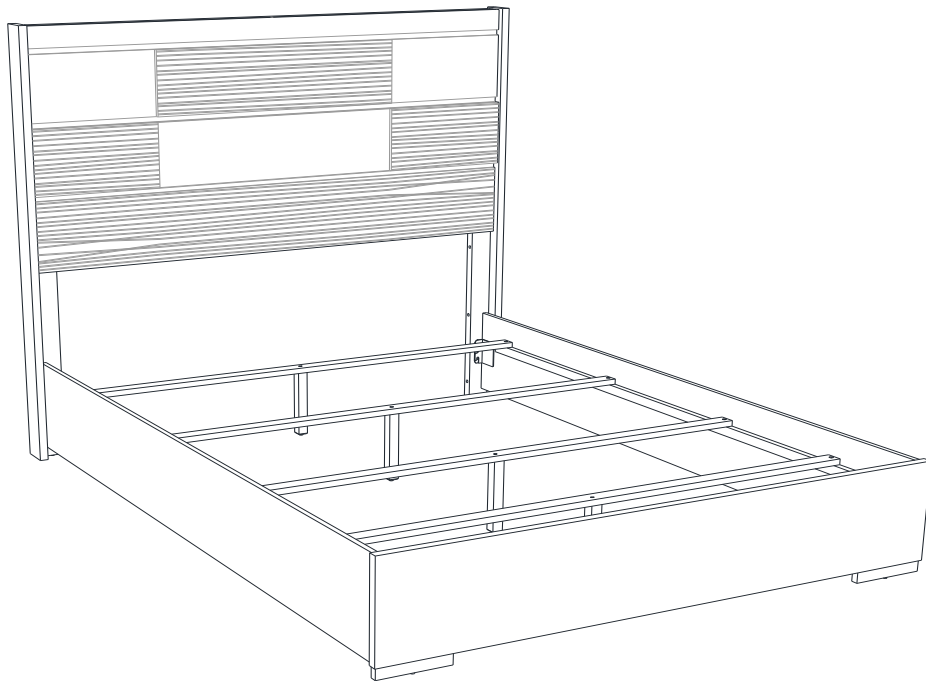


ASSEMBLY INSTRUCTIONS
COASTER FINE FURNITURE



Fine Furniture for every stage of life

207101Q (B1&B2)
Queen Bed

ITEM: 207101Q (B1&B2)

ASSEMBLY INSTRUCTIONS

ASSEMBLY TIPS:

1. Remove hardware from box and sort by size.
2. Please check to see that all hardware and parts are present prior to start of assembly.
3. Please follow attached instructions in the same sequence as numbered to assure fast & easy assembly.



WARNING!

1. Don't attempt to repair or modify parts that are broken or defective. Please contact the store immediately.
2. This product is for home use only and not intended for commercial establishments.

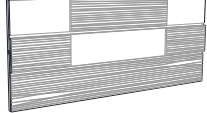
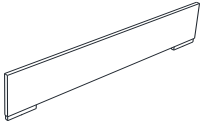



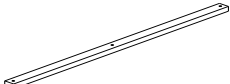


ASSEMBLY TIME


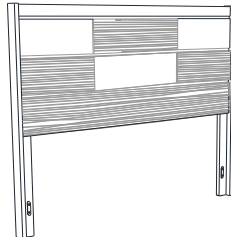

20 MINUTES

PARTS IDENTIFICATION

B1 (BOX 1)

A	HEADBOARD PANEL		1PC
B	FOOTBOARD		1PC
C	RIGHT HEADBOARD LEG		1PC
D	LEFT HEADBOARD LEG		1PC
E	BED SLAT SUPPORT WITH LEVELER		4PCS
F	BED SLAT		4PCS

B2 (BOX 2)

G	BED RAIL		2PCS
HB	207101Q(B1) FROM BOX 1 HEADBOARD COMPLETE		1PC
B	207101Q(B1) FROM BOX 1 FOOTBOARD		1PC

ITEM: 207101Q (B1&B2)



ASSEMBLY INSTRUCTIONS

ASSEMBLY TIPS:

1. Remove hardware from box and sort by size.
2. Please check to see that all hardware and parts are present prior to start of assembly.
3. Please follow attached instructions in the same sequence as numbered to assure fast & easy assembly.











WARNING!

1. Don't attempt to repair or modify parts that are broken or defective. Please contact the store immediately.
2. This product is for home use only and not intended for commercial establishments.

HARDWARE IDENTIFICATION

Z-B1 (BOX 1) - HARDWARE PACK IS LOCATED IN 207101Q (B1)

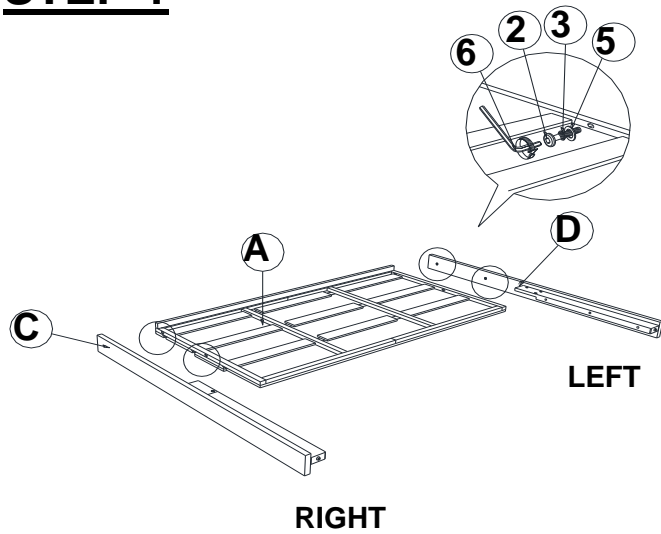
1	SHORT BOLT (M6 x 30mm - BLK)		6PCS	5	BIG FLAT WASHER (1/4"ID x 19mm - BLK)		4PCS
2	LONG BOLT (M6 x 50mm - BLK)		4PCS	6	SMALL ALLEN WRENCH (M4 x 60mm - BLK)		1PC
3	LOCK WASHER (1/4" - BLK)		10PCS	7	BIG ALLEN WRENCH (M5 x 65mm - BLK)		1PC
4	SMALL FLAT WASHER (1/4"ID x 13mm - BLK)		6PCS	8	FLAT HEAD SCREW (M4 x 32mm - RBW)		8PCS

NOTE:

Phillips head screw driver is required in the assembly process; however, manufacturer does not provide this item.

ASSEMBLY INSTRUCTIONS

STEP 1

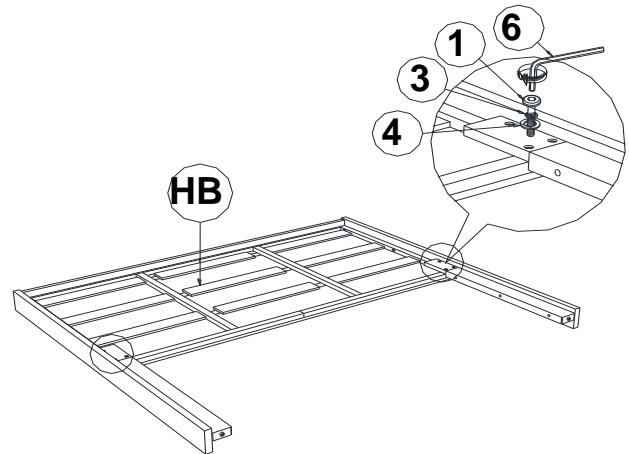


****BACK VIEW****

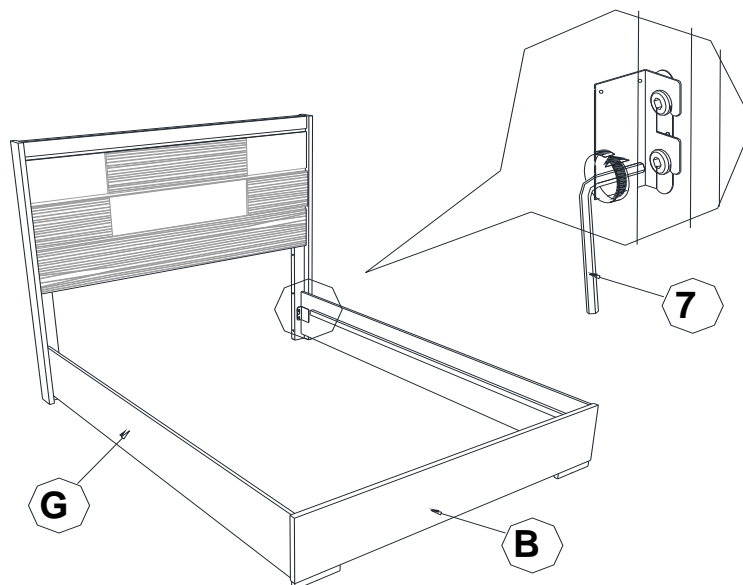
Note : Please put item on soft surface.

Note : Please take note of the marking sticker (L&R) on the leg.

STEP 2

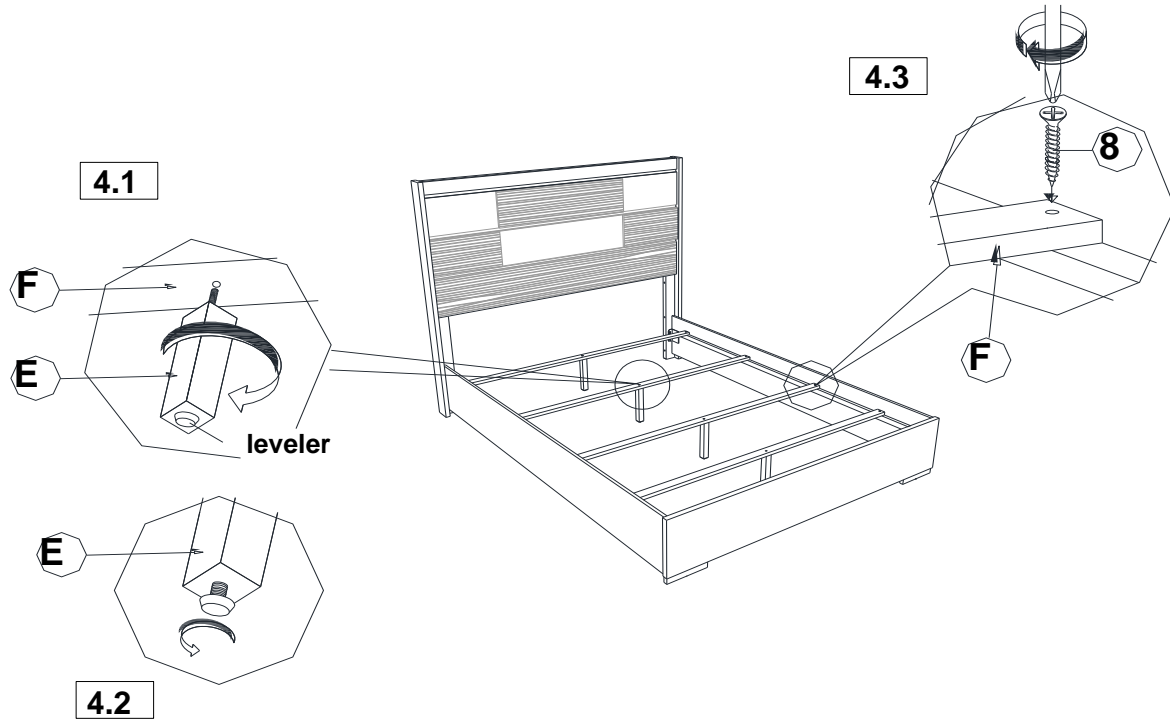


STEP 3

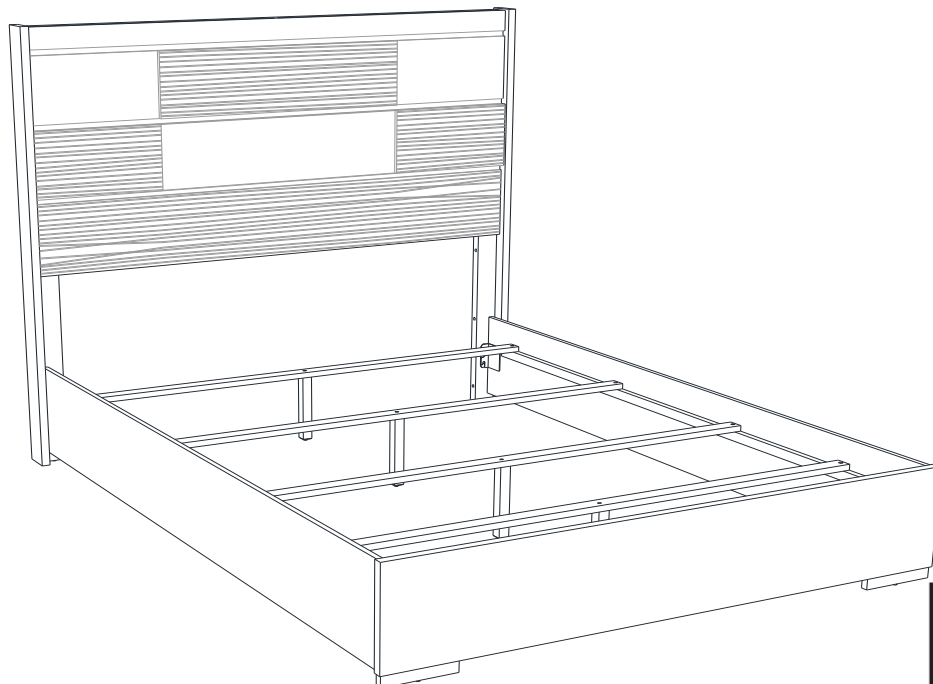


ASSEMBLY INSTRUCTIONS

STEP 4



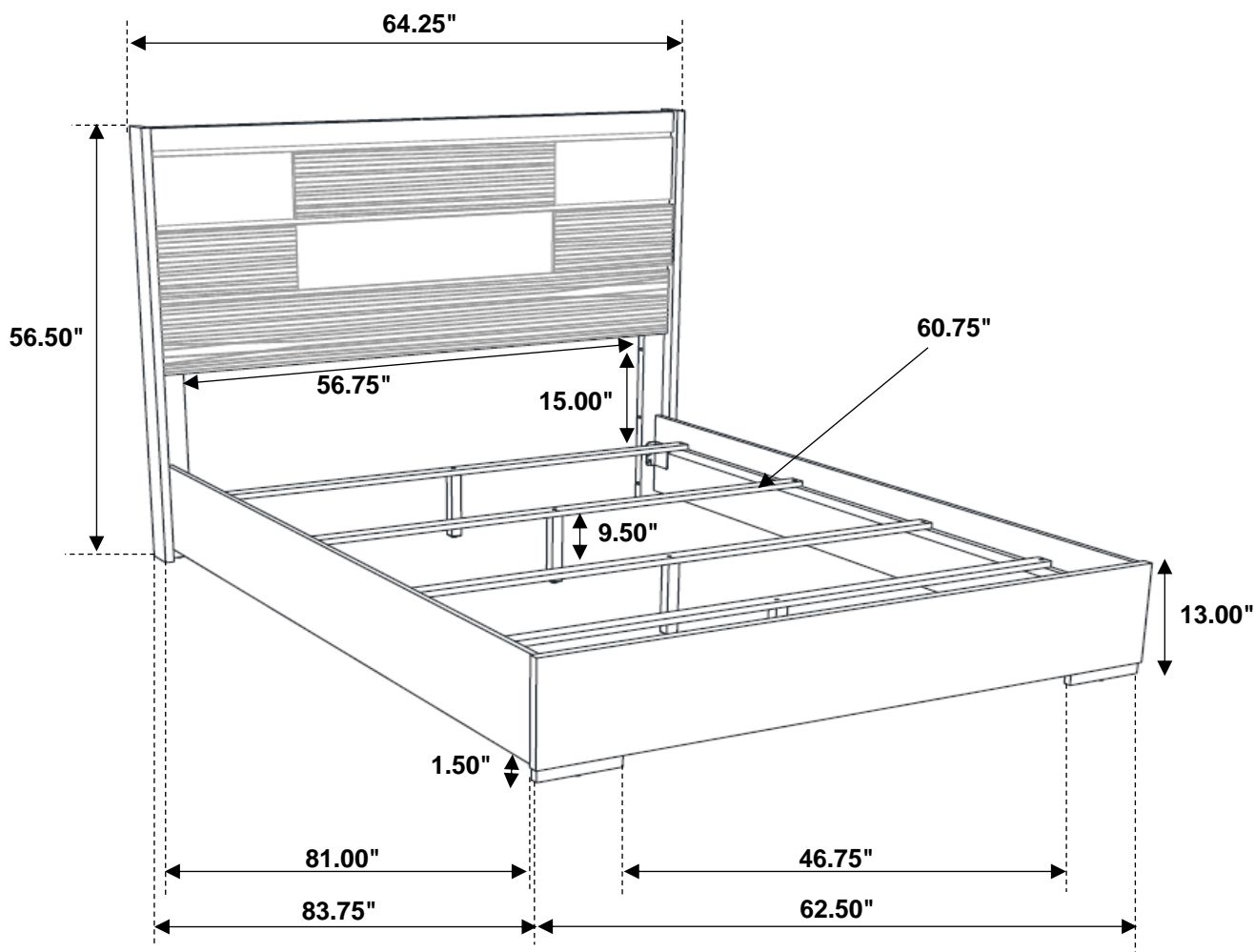
STEP 5
COMPLETE



ITEM: 207101Q (B1&B2)



Inner Size: 60.75"W X 81.00"D



Note: Dimension tolerance $\pm 5\%$