



*ASSEMBLY INSTRUCTIONS
COASTER FINE FURNITURE*



Fine Furniture for every stage of life

121222

Dinning Side Chair

ITEM:121222



ASSEMBLY INSTRUCTIONS

ASSEMBLY TIPS:

1. Remove hardware from box and sort by size.
2. Please check to see that all hardware and parts are present prior to start of assembly.
3. Please follow attached instructions in the same sequence as numbered to assure fast & easy assembly.

WARNING!



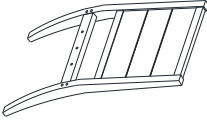
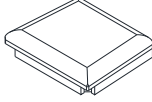

1. Don't attempt to repair or modify parts that are broken or defective. Please contact the store immediately.
2. This product is for home use only and not intended for commercial establishments.









ASSEMBLY TIME

10 MINUTES

PARTS IDENTIFICATION

A	BACK FRAME		1PC
B	SEAT CUSHION WITH FRAME		1PC
C	FRONT LEG		2PCS

HARDWARE IDENTIFICATION

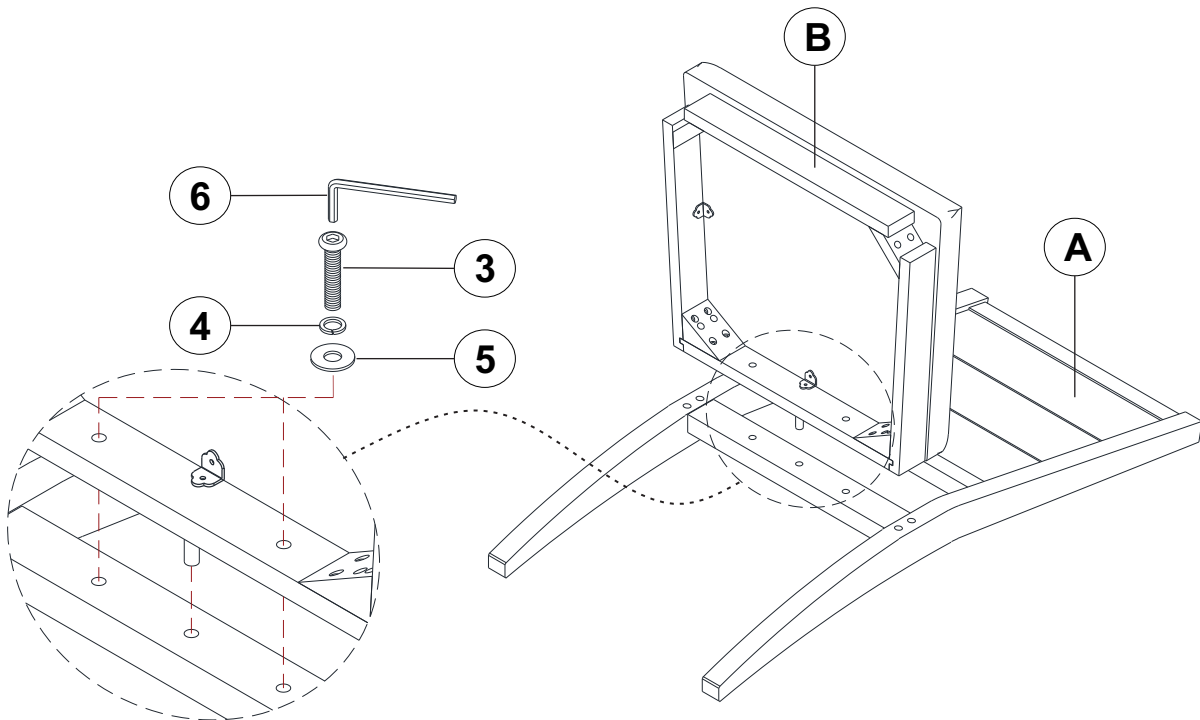
1	LONG BOLT (1/4" x 3-1/8" - BLK)		4PCS
2	MEDIUM BOLT (1/4" x 2-3/8" - BLK)		4PCS
3	SHORT BOLT (1/4" x 1-3/8" - BLK)		2PCS
4	LOCK WASHER (1/4" x 1.5mm- BLK)		10PCS
5	FLAT WASHER (1/4" x 16D x 2mm - BLK)		10PCS
6	ALLEN WRENCH (4mm - BLK)		1PC

ITEM: **121222**

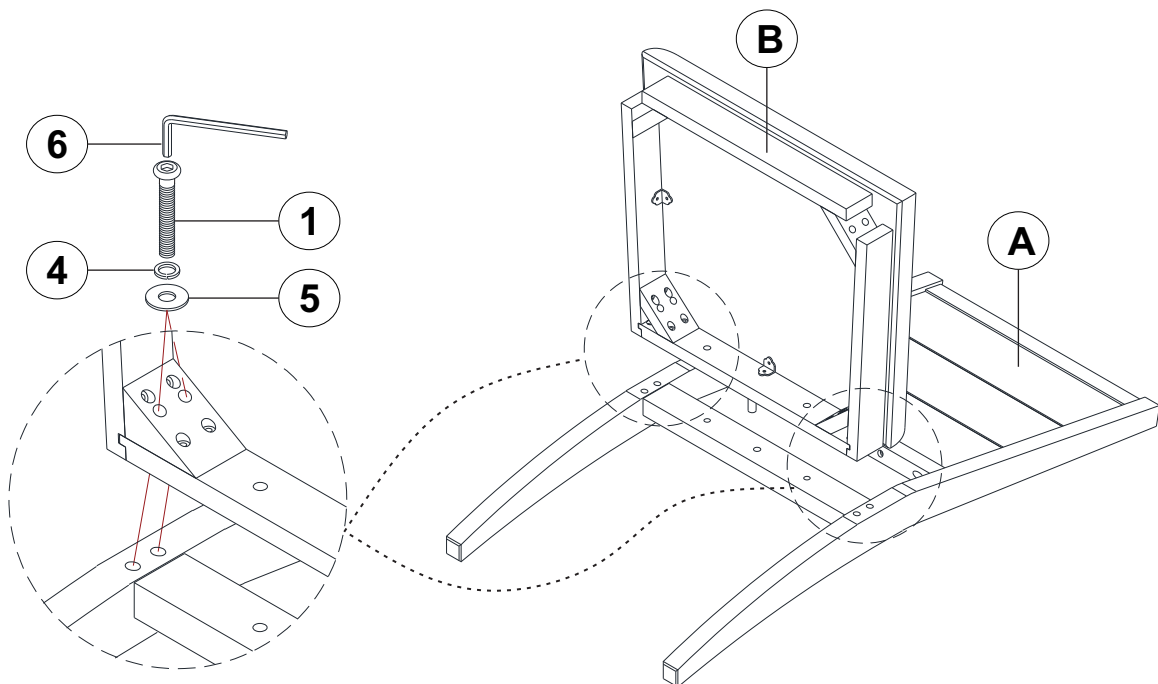


ASSEMBLY INSTRUCTIONS

STEP 1



STEP 2

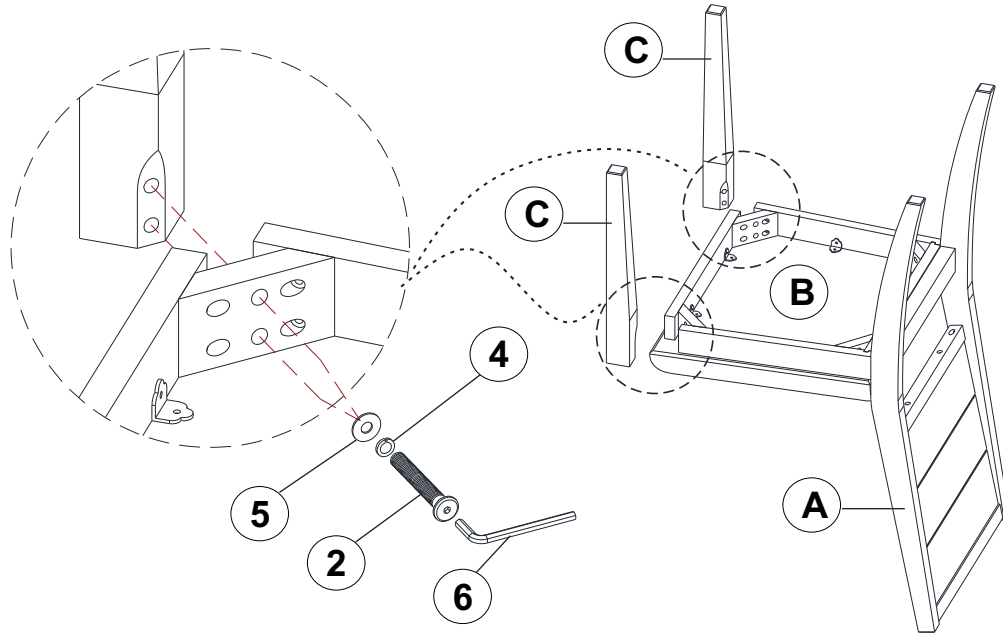


ITEM: **121222**



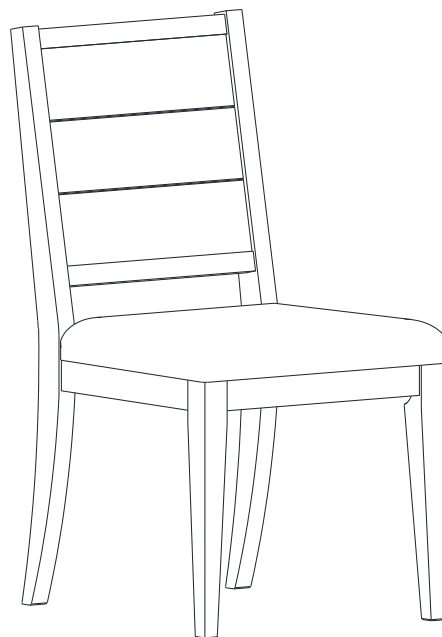
ASSEMBLY INSTRUCTIONS

STEP 3

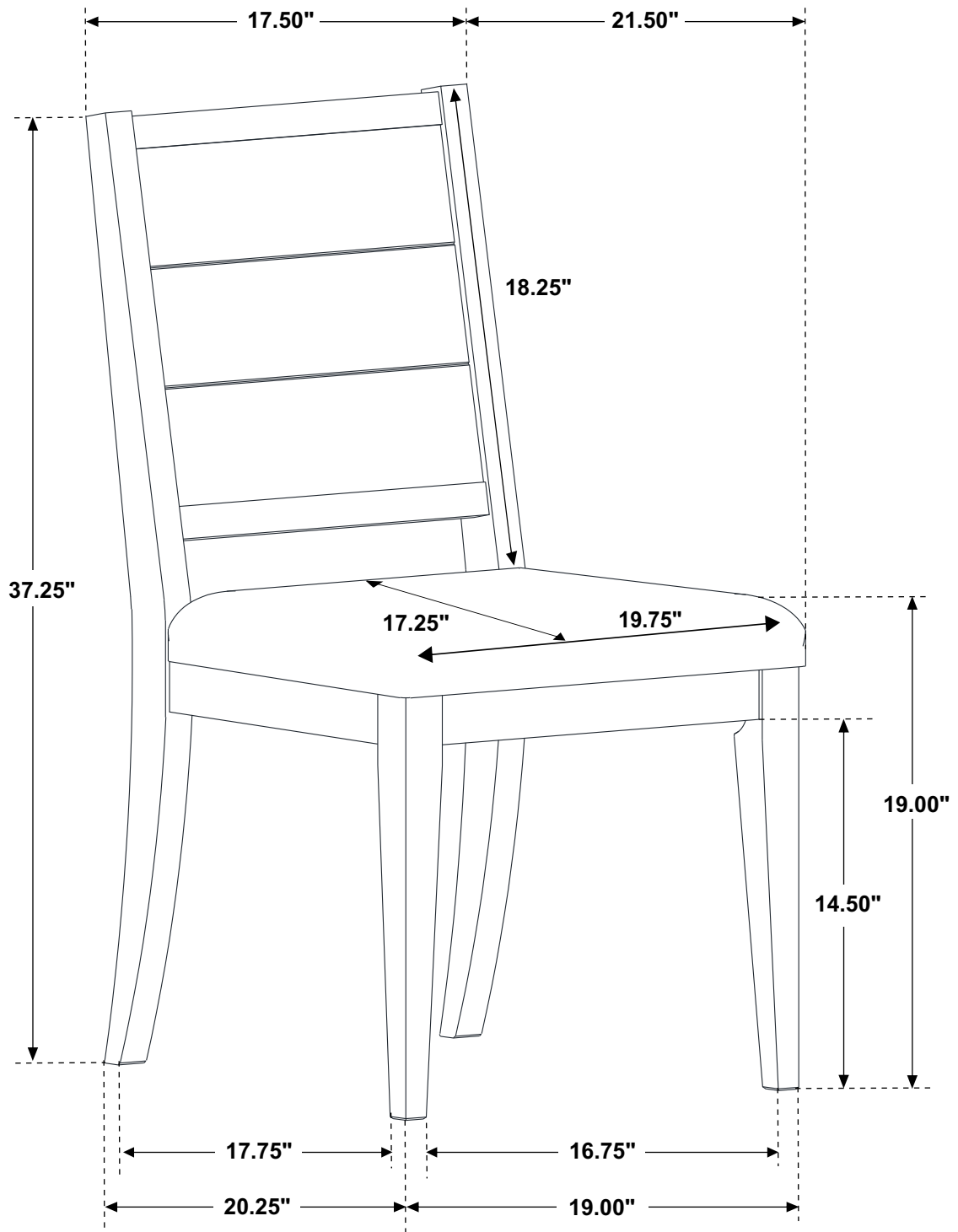


STEP 4

COMPLETE



ITEM: **121222**



Note: Dimension tolerance $\pm 5\%$