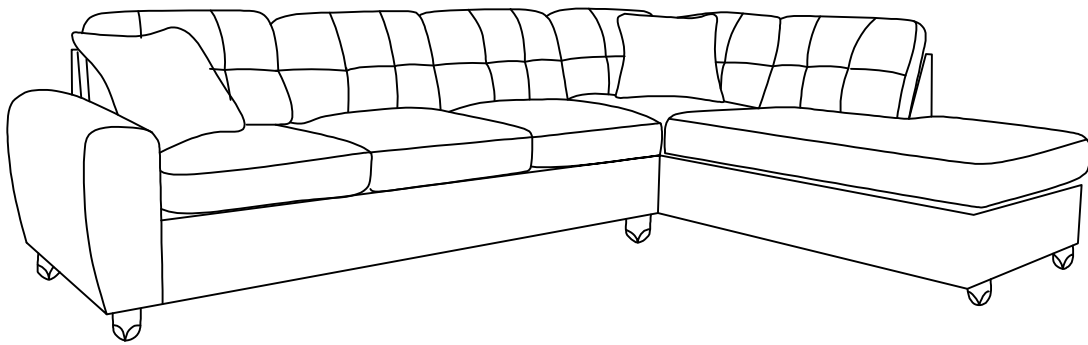




*ASSEMBLY INSTRUCTIONS  
COASTER FINE FURNITURE*



*Fine Furniture for every stage of life*

**500413(B1&B2)**  
***Sectional***

# ITEM: 500413(B1&B2)



## ASSEMBLY INSTRUCTION

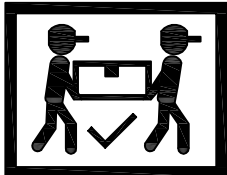
### ASSEMBLY TIPS:

1. Remove hardware from box and sort by size.
2. Please check to see that all hardware and parts are present prior to start of assembly.
3. Please follow attached instruction in the same sequence as numbered to assure fast & easy assembly.



### WARNING!

1. Don't attempt to repair or modify parts that are broken or defective. Please contact the store immediately.
2. This product is for home use only and not intended for commercial establishment.

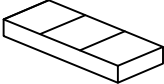
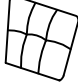

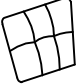

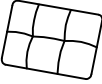
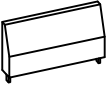


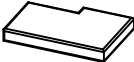



ASSEMBLY TIME

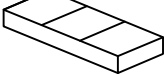



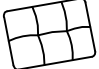


30 MINUTES

## PARTS IDENTIFICATION

### B1 (BOX 1)

A CHAISE SEAT FRAME		1PC	G CHAISE RIGHT BACK CUSHION		1PC
B CHAISE MIDDLE BACK FRAME		1PC	H CHAISE MIDDLE BACK CUSHION		1PC
C CHAISE RIGHT BACK FRAME		1PC	I CHAISE LEFT BACK CUSHION		1PC
D CHAISE LEFT BACK FRAME		1PC	J CHAISE SMALL SEAT CUSHION		1PC
E BACK PILLOW		1PC	K CHAISE BIG SEAT CUSHION		1PC
F LEG		4PCS			

### B2 (BOX 2)

L SOFA SEAT FRAME		1PC	O SOFA SEAT CUSHION		1PC
M SOFA BACK FRAME		3PCS	F LEG		4PCS
N SOFA BACK CUSHION		3PCS	P SOFA ARM FRAME		1PC
E BACK PILLOW		1PC			

# ITEM: 500413(B1&B2)



## ASSEMBLY INSTRUCTIONS

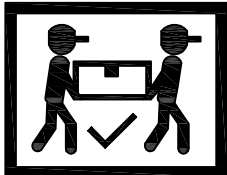
### ASSEMBLY TIPS:

1. Remove hardware from box and sort by size.
2. Please check to see that all hardware and parts are present prior to start of assembly.
3. Please follow attached instruction in the same sequence as numbered to assure fast & easy assembly.



### WARNING!

1. Don't attempt to repair or modify parts that are broken or defective. Please contact the store immediately.
2. This product is for home use only and not intended for commercial establishment.



ASSEMBLY TIME

30 MINUTES

## HARDWARE IDENTIFICATION

### Z-B1 (BOX 1)- HARDWARE PACK IS LOCATED IN 500413 (B1)

5 PLASTIC WASHER  
(5MM\*3MM - BLK)



4PCS

### Z-B2 (BOX 2)- HARDWARE PACK IS LOCATED IN 500413 (B2)

1 BOLT  
(75MM - BLK)



4PCS

2 FLAT WASHER  
(2MM- BLK)



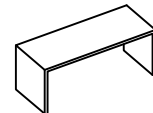
4PCS

3 FLAT WASHER  
(75MM - BLK)



1PC

4 CONNECTOR  
(85MM - BLK)



2PCS

5 PLASTIC WASHER  
(5MM x 3MM - BLK)



4PCS

# ITEM: 500413(B1&B2)

## ASSEMBLY INSTRUCTIONS



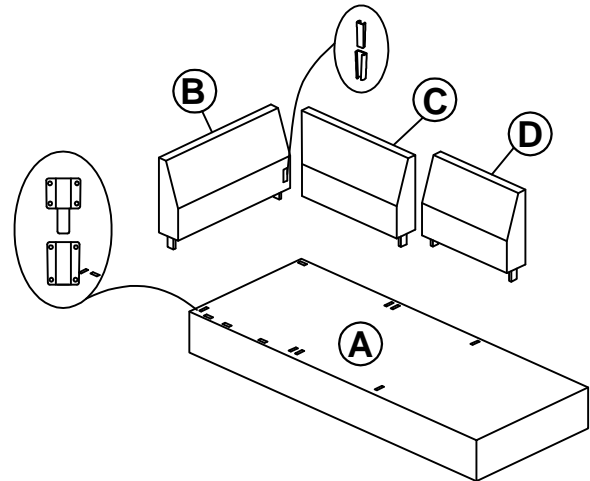
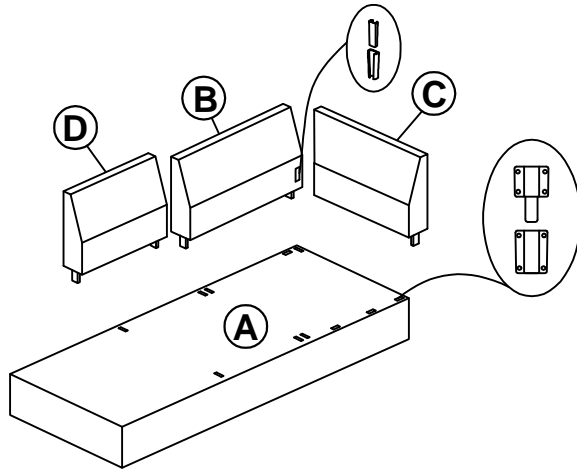
LAF



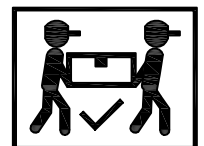
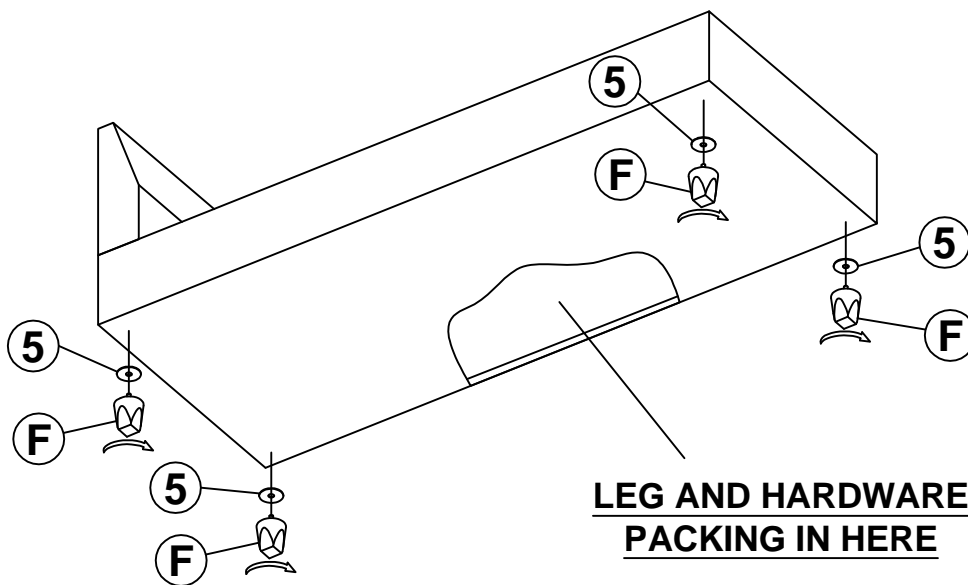
RAF



### STEP 1



### STEP 2



# ITEM: 500413(B1&B2)

## ASSEMBLY INSTRUCTIONS



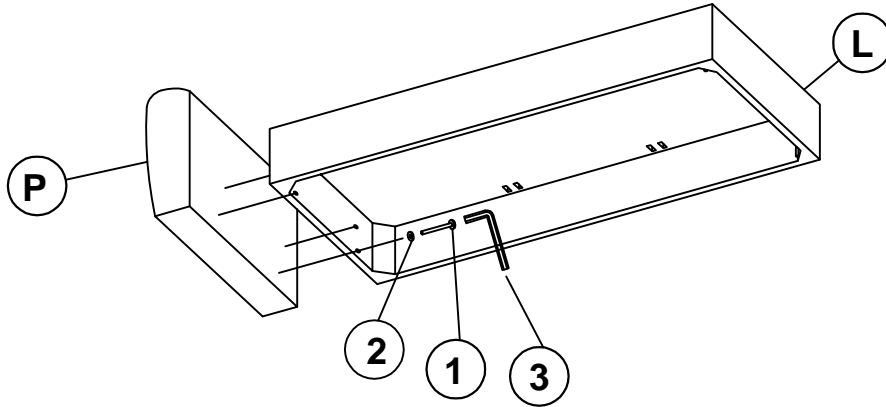
LAF



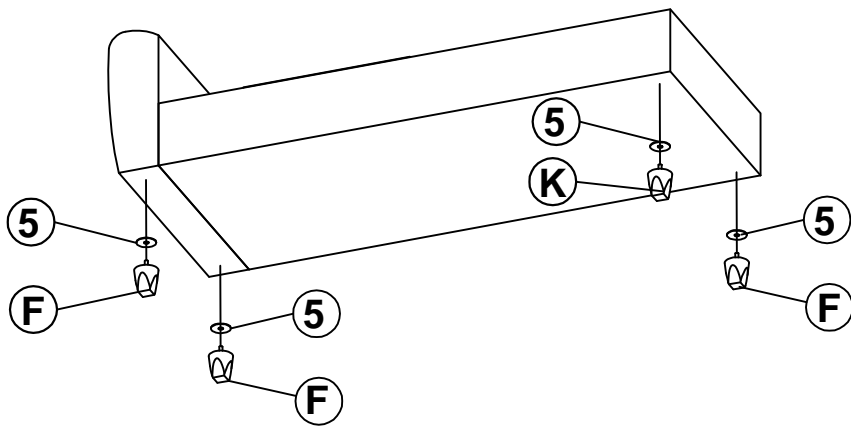
RAF



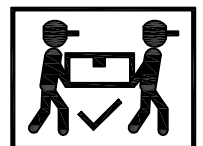
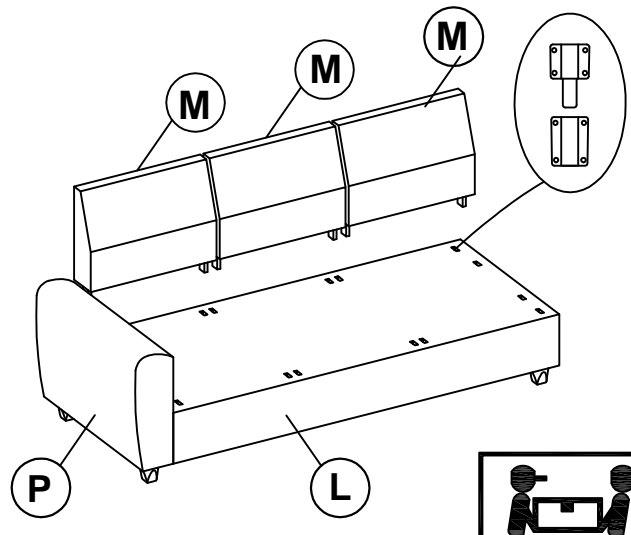
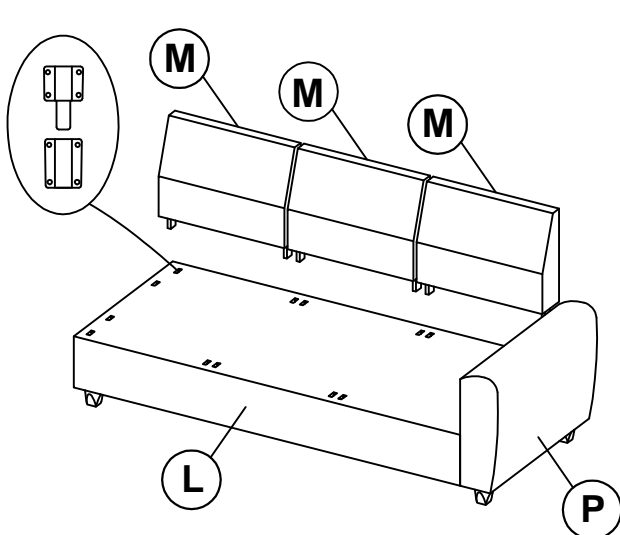
### STEP 3



### STEP 4



### STEP 5



# ITEM: 500413(B1&B2)

## ASSEMBLY INSTRUCTIONS



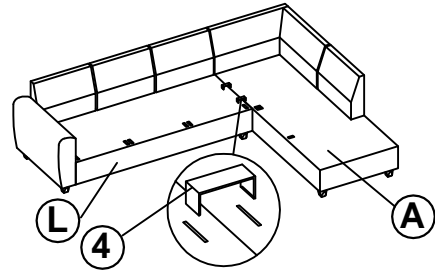
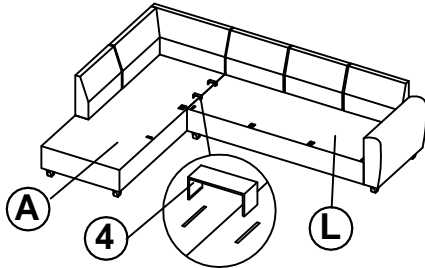
LAF



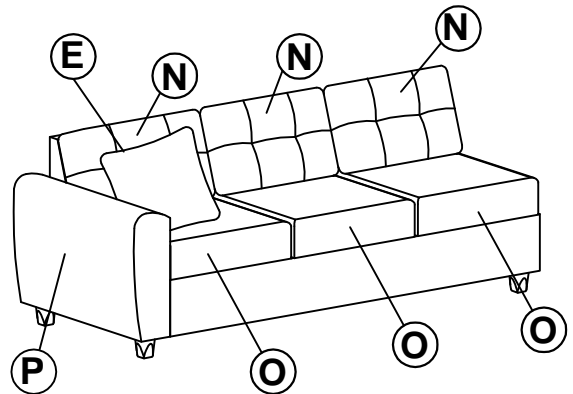
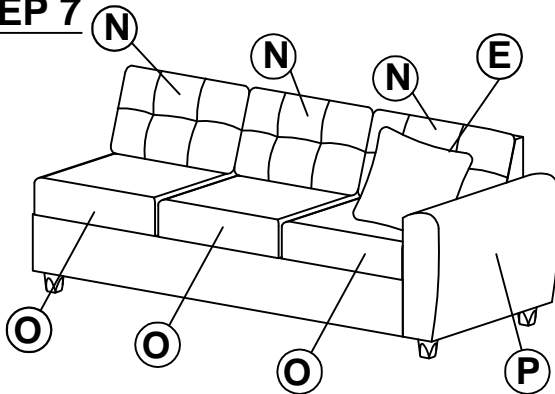
RAF



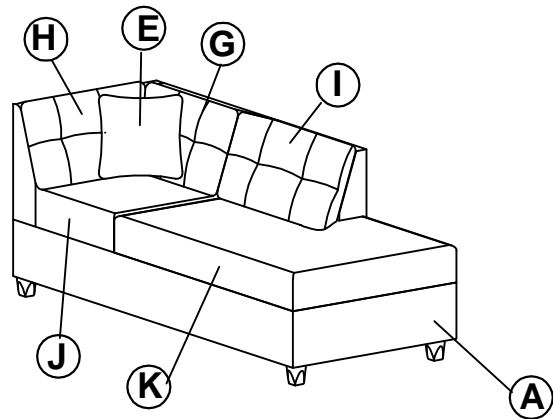
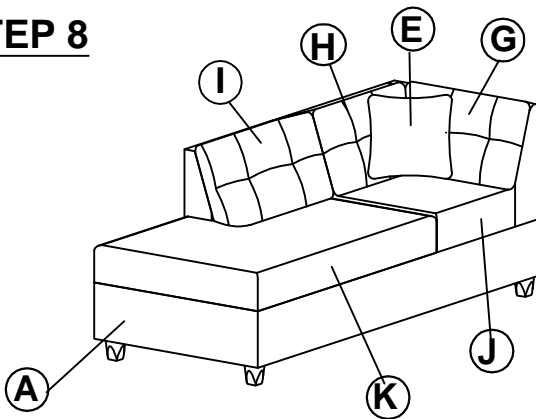
### STEP 6



### STEP 7

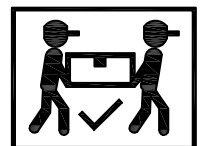
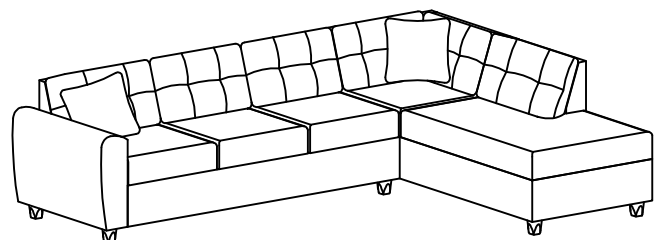
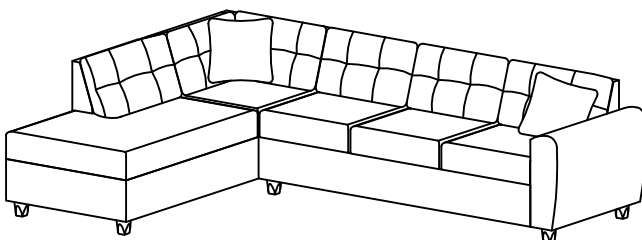


### STEP 8

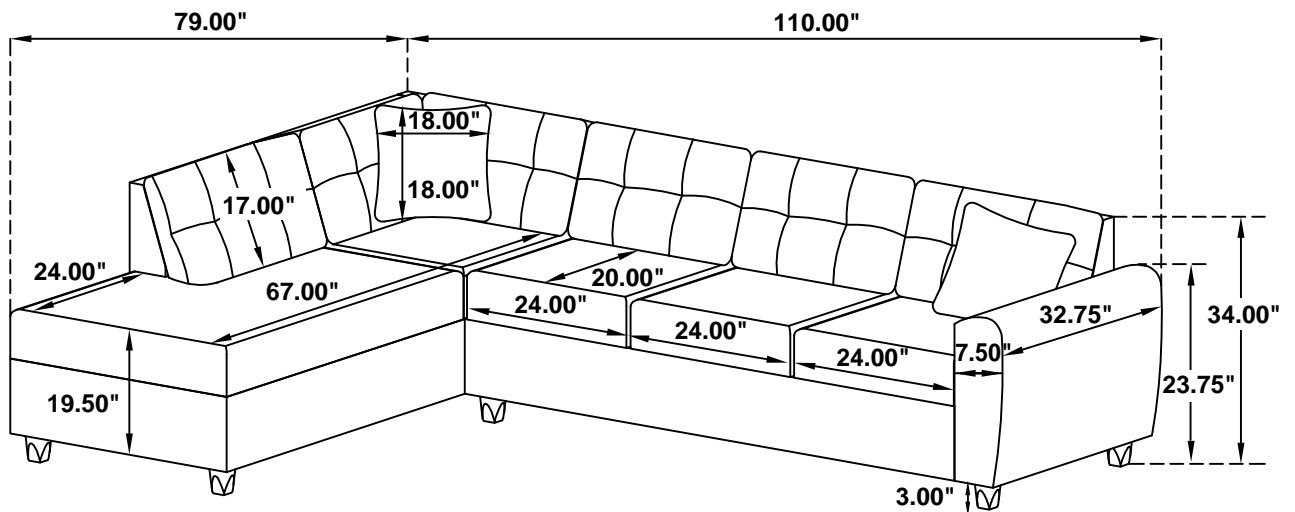


### STEP 9

COMPLETE



# ITEM: 500413(B1&B2)



Note: Dimension tolerance  $\pm 5\%$