



ASSEMBLY INSTRUCTIONS
COASTER FINE FURNITURE



Fine Furniture for every stage of life

107591
Dining Table

ITEM: 107591



ASSEMBLY INSTRUCTIONS

ASSEMBLY TIPS:

1. Remove hardware from box and sort by size.
2. Please check to see that all hardware and parts are present prior to start of assembly.
3. Please follow attached instructions in the same sequence as numbered to assure fast & easy assembly.



WARNING!

1. Don't attempt to repair or modify parts that are broken or defective. Please contact the store immediately.
2. This product is for home use only and not intended for commercial establishments.



ASSEMBLY TIME

30 MINUTES

PARTS IDENTIFICATION

A	TOP		1PC
B	LEG B		2PCS
C	LEG C		2PCS
D	MOUNTING BAR		2PCS
E	SUPPORT BAR		2PCS
F	TRESTLE BAR		2PCS

ITEM: **107591**

ASSEMBLY INSTRUCTIONS

ASSEMBLY TIPS:







1. Remove hardware from box and sort by size.
2. Please check to see that all hardware and parts are present prior to start of assembly.
3. Please follow attached instructions in the same sequence as numbered to assure fast & easy assembly.



WARNING!

1. Don't attempt to repair or modify parts that are broken or defective. Please contact the store immediately.
2. This product is for home use only and not intended for commercial establishments.

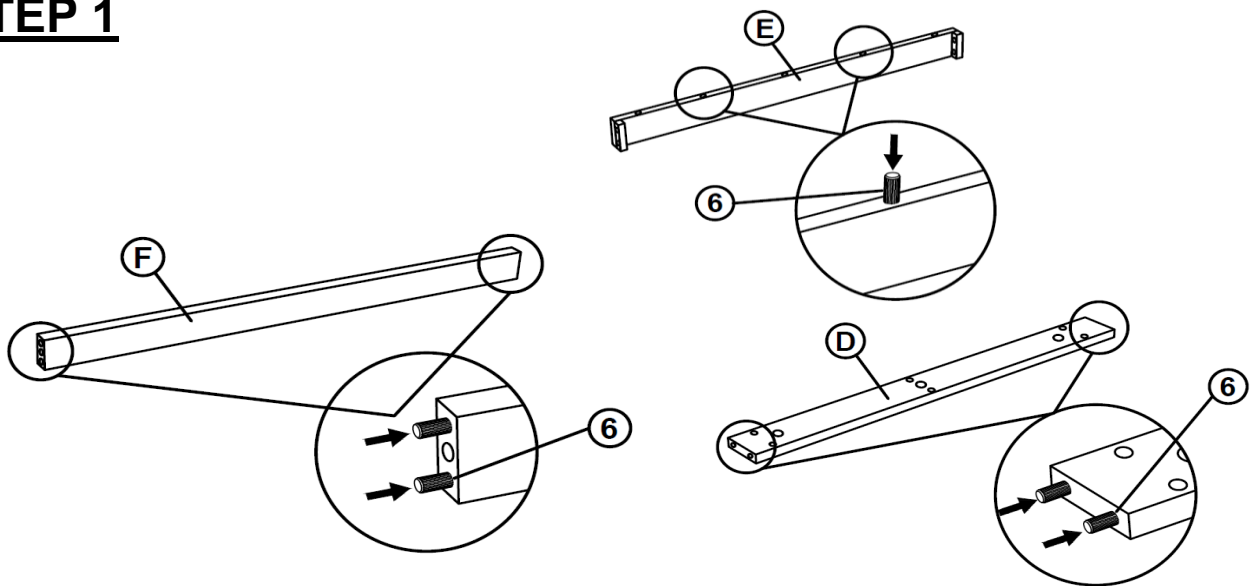
HARDWARE IDENTIFICATION

1	ALLEN WRENCH (M4 - BLK)		1PC
2	SHORT BOLT (M6 x 40mm - BLK)		26PCS
3	LONG BOLT (M6 x 70mm - BLK)		4PCS
4	LOCK WASHER (M6 - BLK)		30PCS
5	FLAT WASHER (M6 - BLK)		26PCS
6	PLASTIC DOWEL (M8 x 30mm - BLK)		20PCS

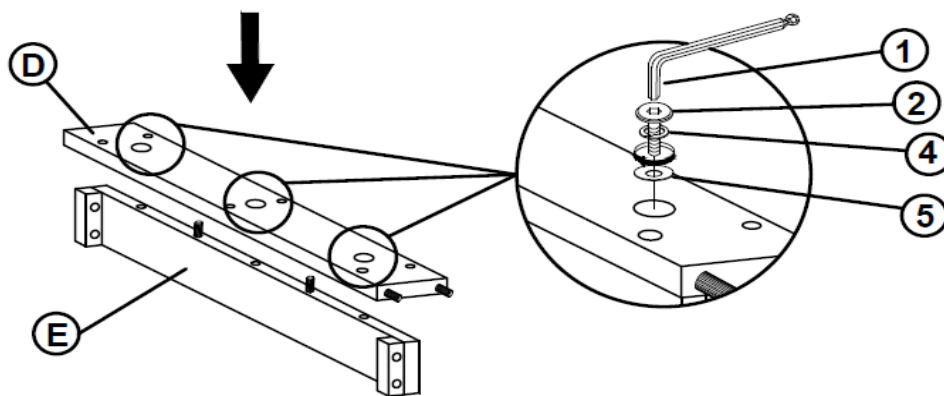
ITEM: **107591**

ASSEMBLY INSTRUCTIONS

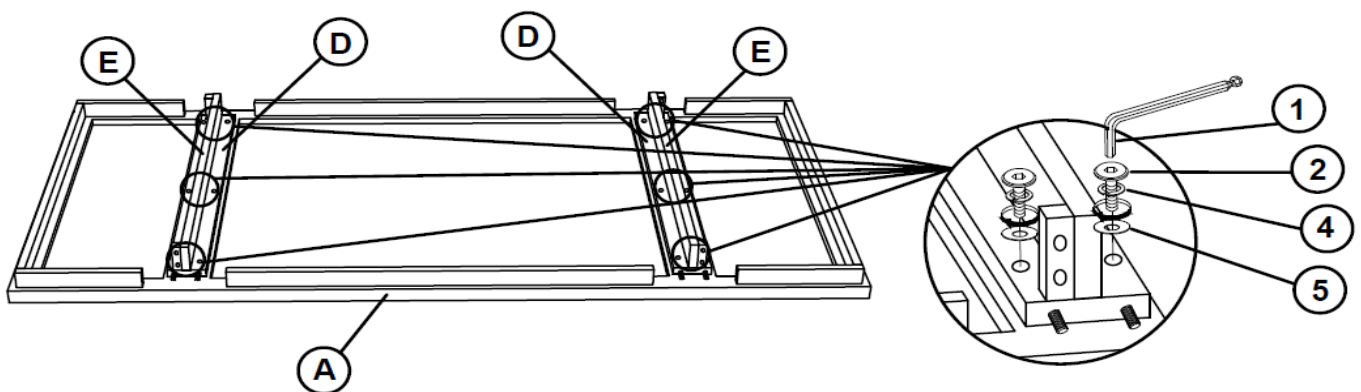
STEP 1



STEP 2



STEP 3



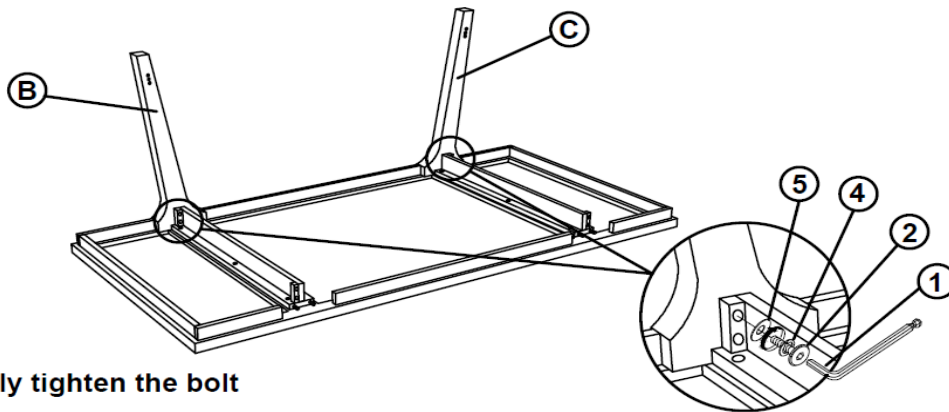
***** Do not fully tighten the bolt**

ITEM: **107591**



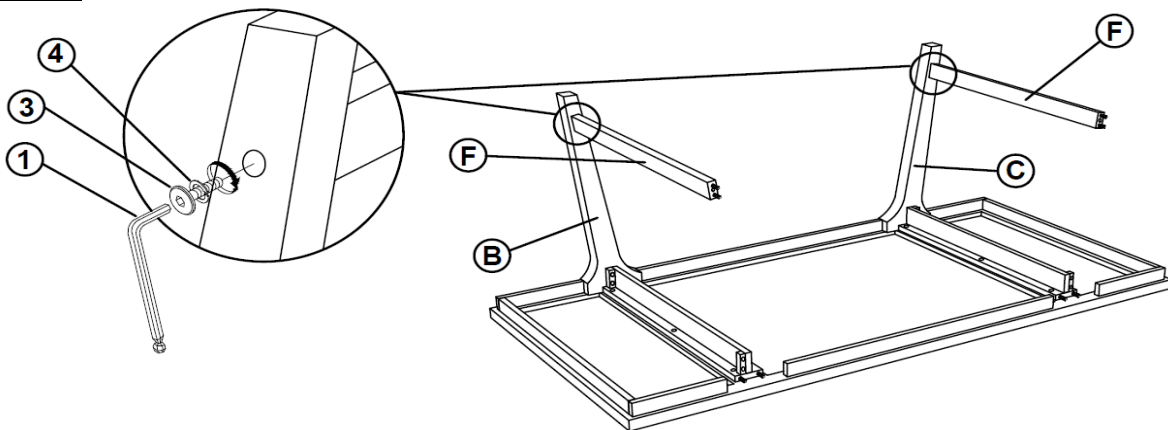
ASSEMBLY INSTRUCTIONS

STEP 4

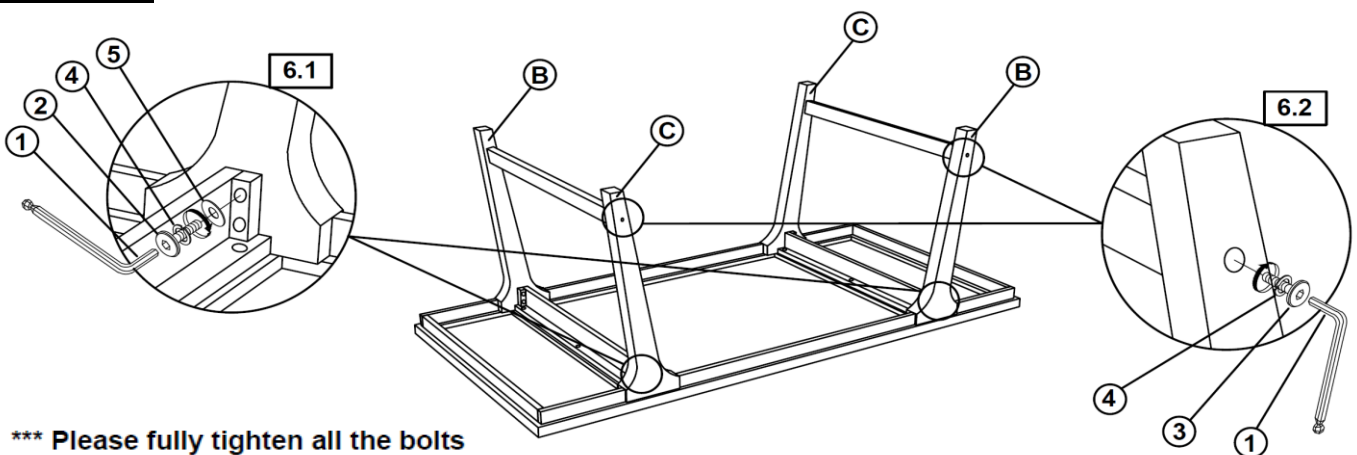


*** Do not fully tighten the bolt

STEP 5

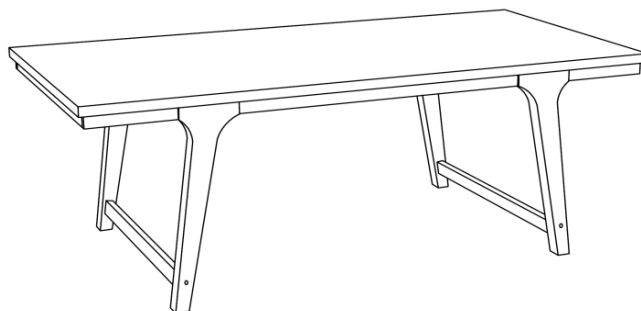


STEP 6

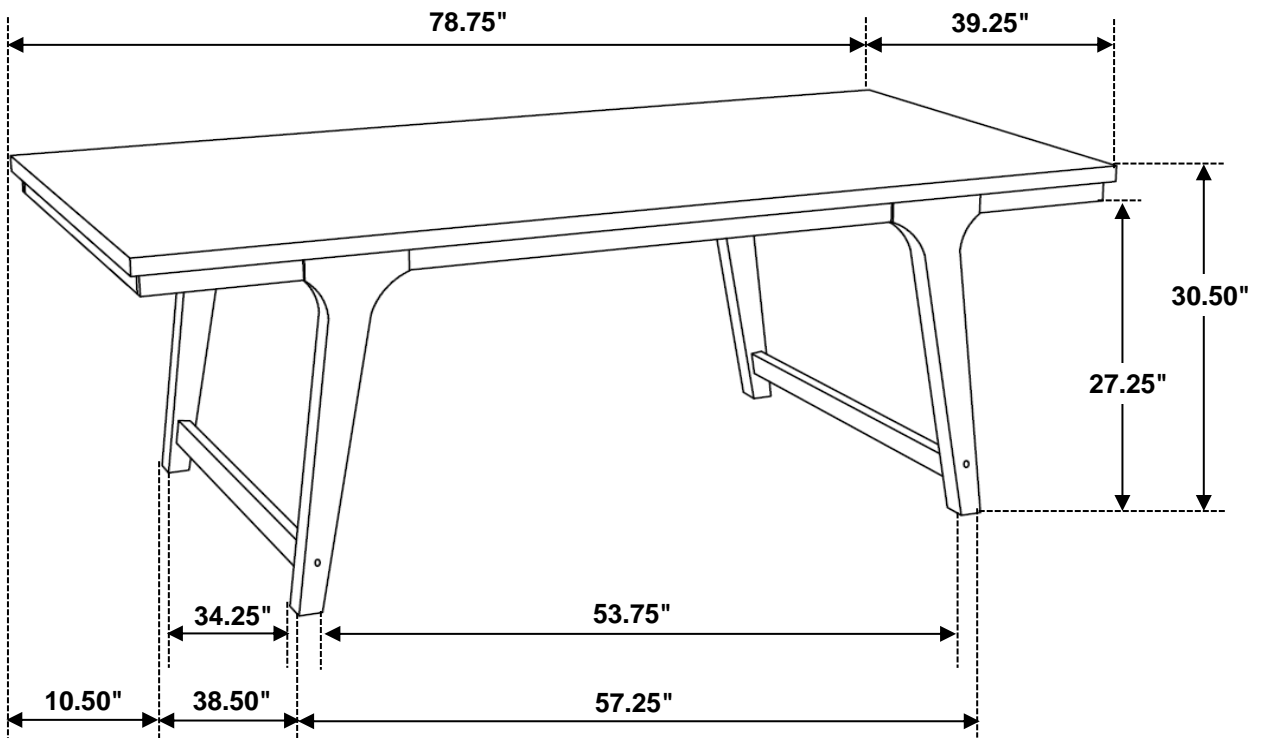


*** Please fully tighten all the bolts

STEP 7 **COMPLETE**



ITEM: 107591



Note: Dimension tolerance $\pm 5\%$