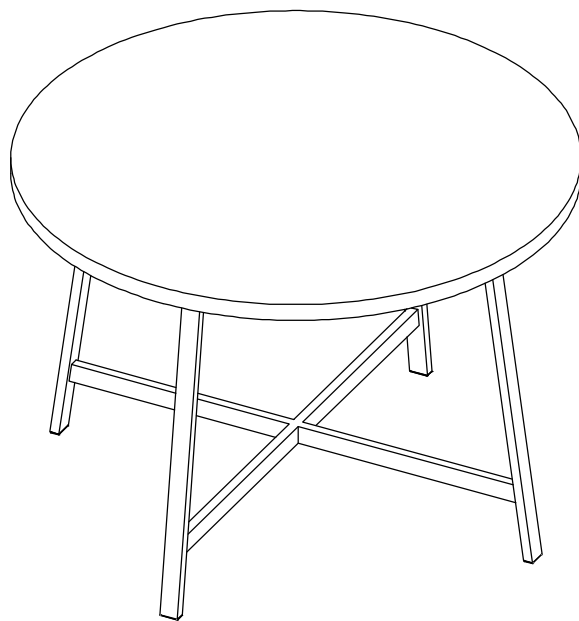


ASSEMBLY INSTRUCTIONS
COASTER FINE FURNITURE



Fine Furniture for every stage of life

120400
DINING TABLE

ITEM:120400



ASSEMBLY INSTRUCTIONS

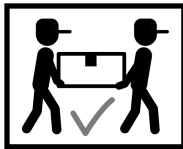
ASSEMBLY TIPS:

1. Remove hardware from box and sort by size.
2. Please check to see that all hardware and parts are present prior to start of assembly.
3. Please follow attached instructions in the same sequence as numbered to assure fast & easy assembly.



WARNING!

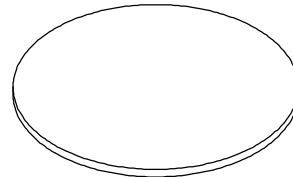
1. Don't attempt to repair or modify parts that are broken or defective. Please contact the store immediately.
2. This product is for home use only and not intended for commercial establishments.



ASSEMBLY TIME 20 MINUTES

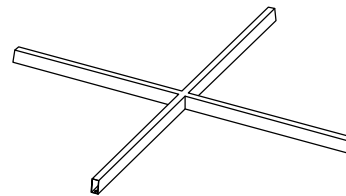
PARTS IDENTIFICATION

A TOP PANEL



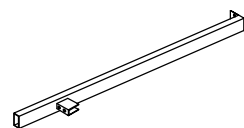
1PC

B BOTTOM FRAME



1PC

C LEG



4PCS

HARDWARE IDENTIFICATION

1 SHORT BOLT
(1/4" x 15mm SR)



24PCS

3 ALLEN WRENCH
(4mm)



1PC

2 CAP
(20 x 40mm BLK)



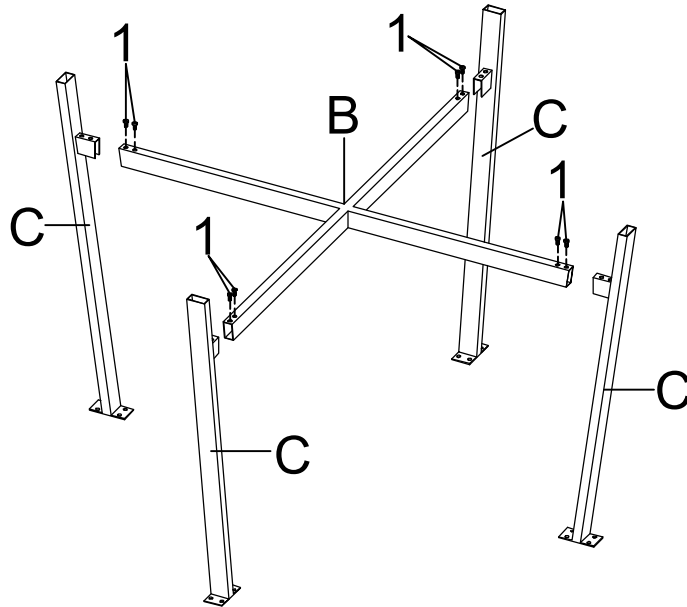
4PCS

ITEM:120400

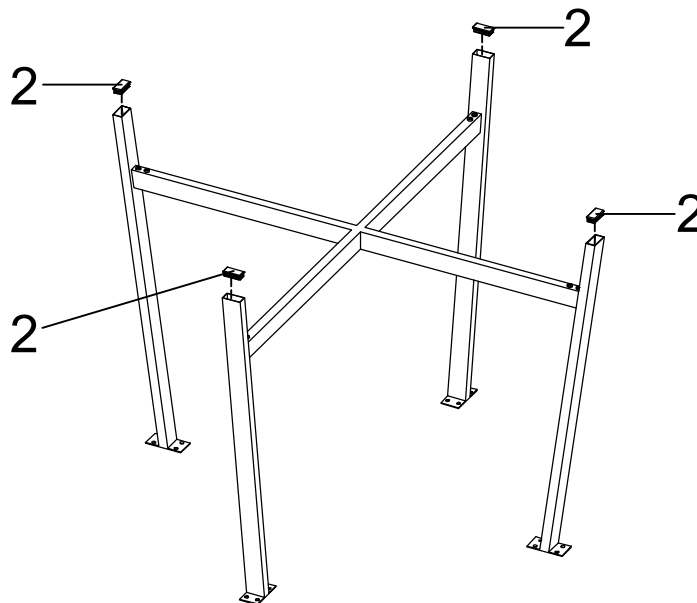


ASSEMBLY INSTRUCTIONS

STEP 1 Do not tighten until each step is completed or instructed.



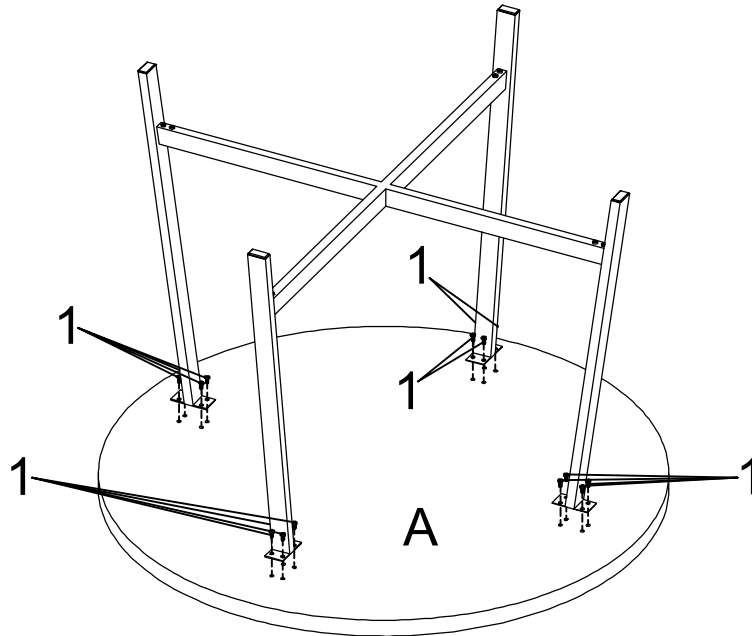
STEP 2



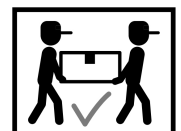
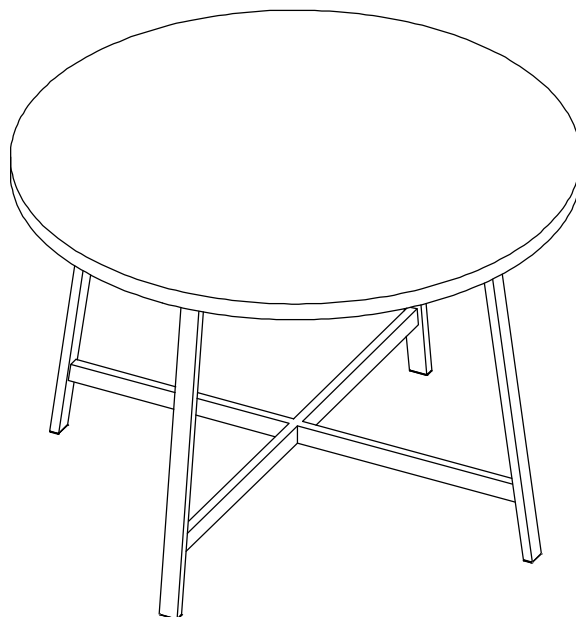
ITEM:120400

ASSEMBLY INSTRUCTIONS

STEP 3



STEP 4

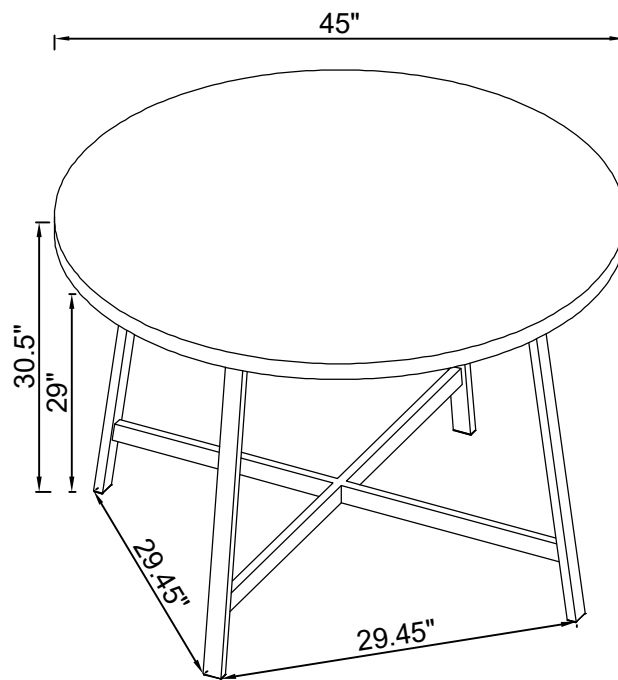


ITEM:120400
ASSEMBLY INSTRUCTIONS



Product Size : 1143 DIA X 775 H (MM)

Product Size : 45" DIA X 30.5"



Note : Dimension tolerance $\pm 5\%$