

ASSEMBLY INSTRUCTIONS
COASTER FINE FURNITURE



Fine Furniture for every stage of life

930244(B1&B2)
Vanity Set

ITEM : 930244(B1&B2)



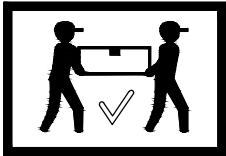
ASSEMBLY INSTRUCTIONS ASSEMBLY TIPS:

- 1.Remove hardware from box and sort by size.
- 2.Please check to see that all hardware and parts are present prior to start of assembly.
- 3.Please follow attached instructions in the same sequence as numbered to assure fast & easy assembly.

WARNING!



1. Don't attempt to repair or modify parts that are broken or defective. Please contact the store immediately.
2. This product is for home use only and not intended for commercial establishments.



ASSEMBLY TIME

30 MINUTES

PARTS IDENTIFICATION

B1 (BOX 1)

A	MIDDLE MIRROR		1PC	C	RIGHT MIRROR		1PC
B	LEFT MIRROR		1PC				

B2 (BOX 2)

D	LEFT COMPARTMENT		1PC	H	BACK PANEL		1PC
E	RIGHT COMPARTMENT		1PC	I	STOOL SEAT		1PC
F	COMPARTMENT LEG		8PCS	J	STOOL LEG		4PCS
G	DESKTOP		1PC	K	MIRROR SUPPORT		2PCS

ITEM : **930244(B1&B2)**



ASSEMBLY INSTRUCTIONS

ASSEMBLY TIPS:

- 1.Remove hardware from box and sort by size.
- 2.Please check to see that all hardware and parts are present prior to start of assembly.
- 3.Please follow attached instructions in the same sequence as numbered to assure fast & easy assembly.







WARNING!



1. Don't attempt to repair or modify parts that are broken or defective. Please contact the store immediately.
2. This product is for home use only and not intended for commercial establishments.

HARDWARE IDENTIFICATION

Z-B2 (BOX 2) - HARDWARE PACK IS LOCATED IN 930244(B2)

1	LONG BOLT (Ø1/4" x 50mm - RBW)		24PCS	4	LOCK WASHER (Ø1/4" - RBW)		40PCS
2	SHORT BOLT (Ø1/4" x 38mm - RBW)		16PCS	5	WOOD DOWEL (Ø8 x 20mm - NTL)		8PCS
3	FLAT WASHER (5/16" x 19mm- RBW)		40PCS	6	ALLEN WRENCH (4 x 57mm - RBW)		1PC

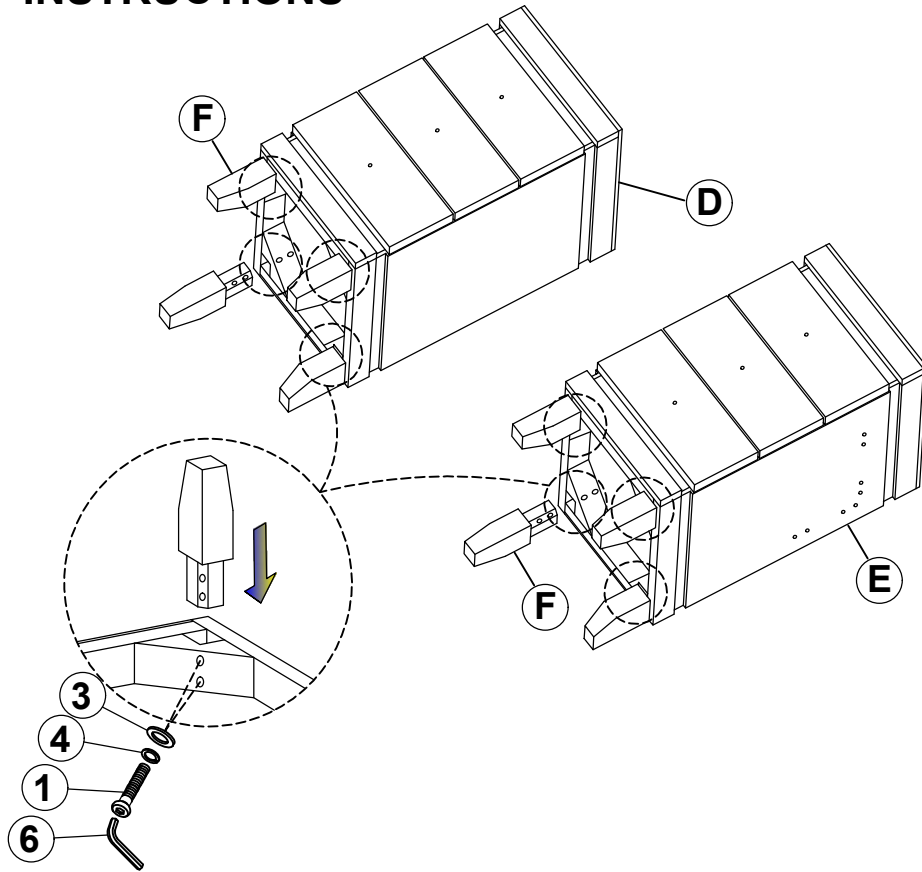
NOTE:

Phillips head screw driver is required in the assembly process; however, manufactures does not provide this item.

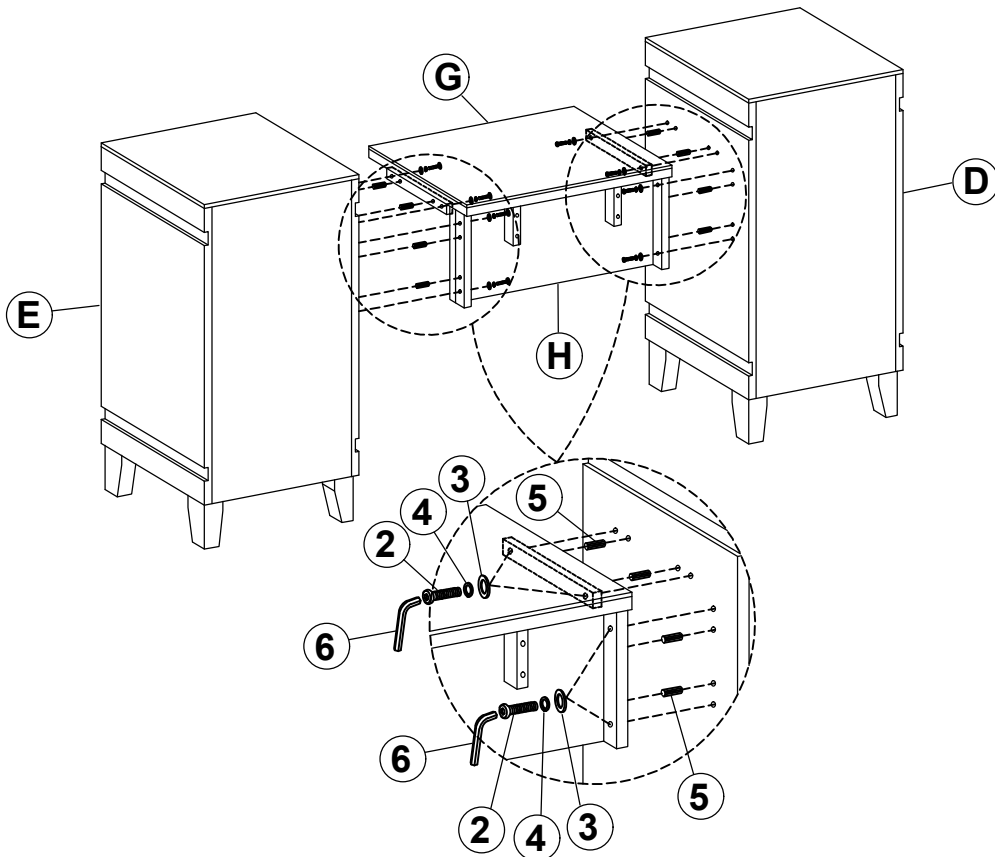
ITEM : 930244(B1&B2)



ASSEMBLY INSTRUCTIONS
STEP 1



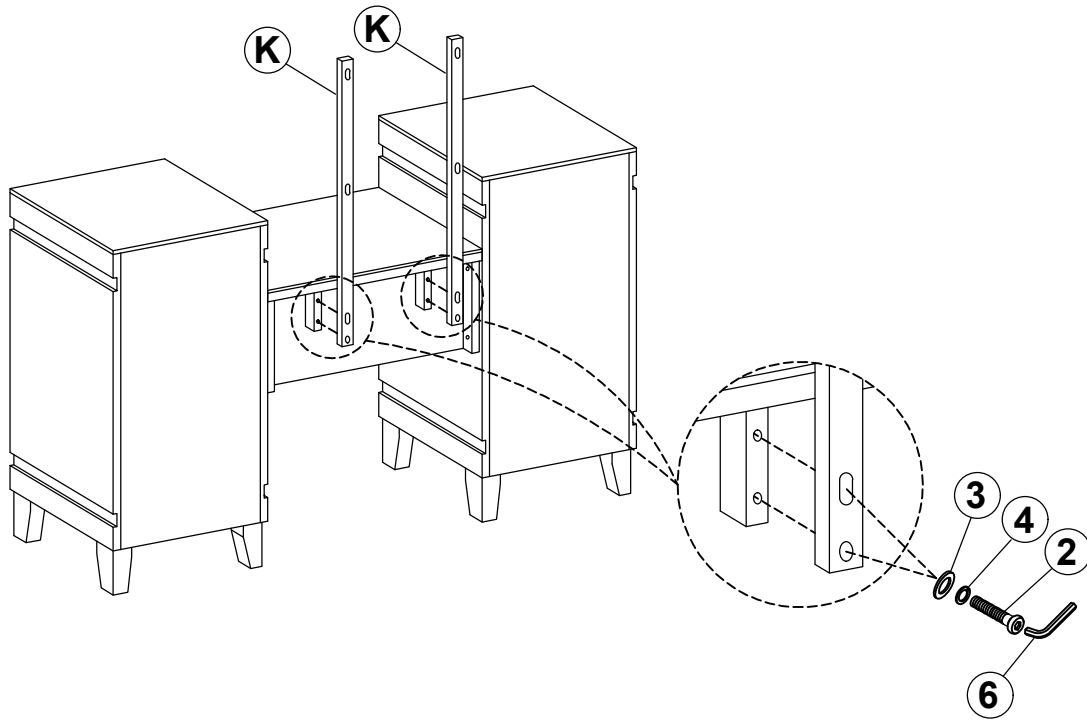
STEP 2



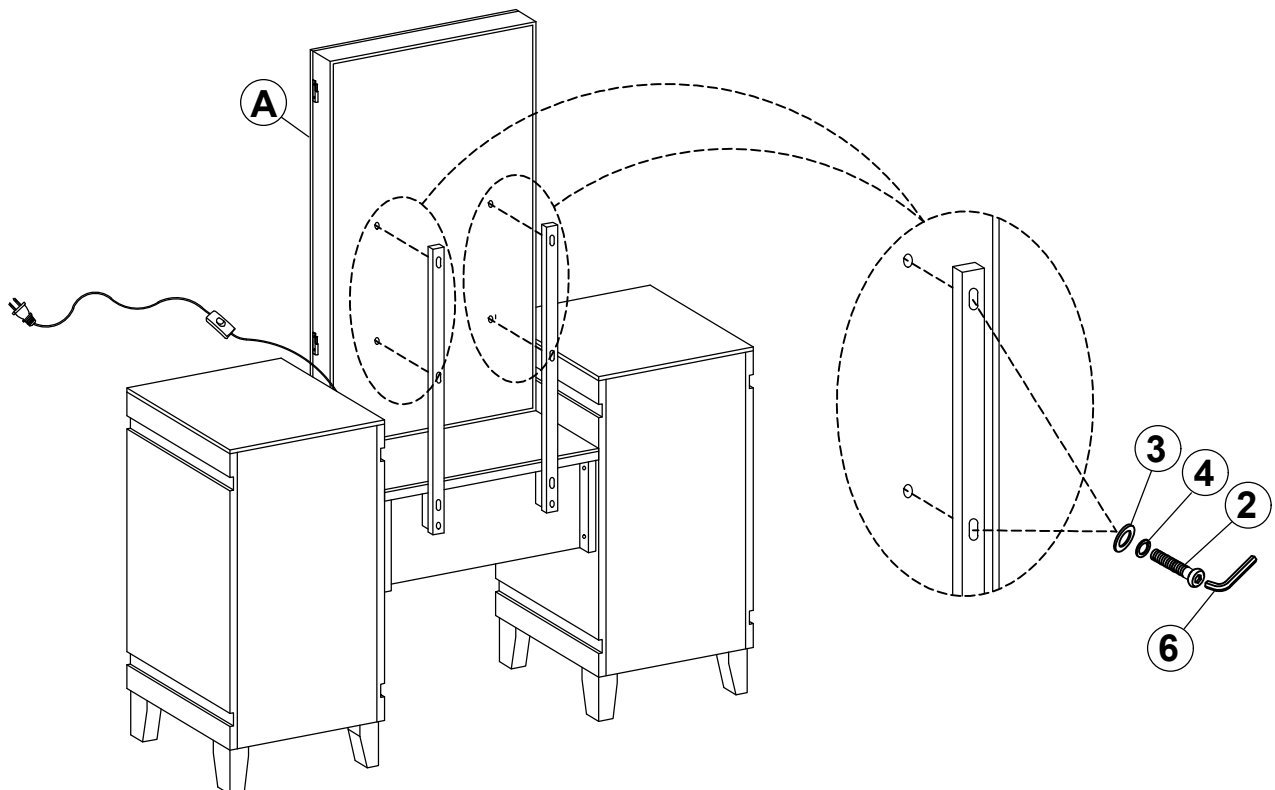
ITEM : **930244(B1&B2)**



ASSEMBLY INSTRUCTIONS
STEP 3



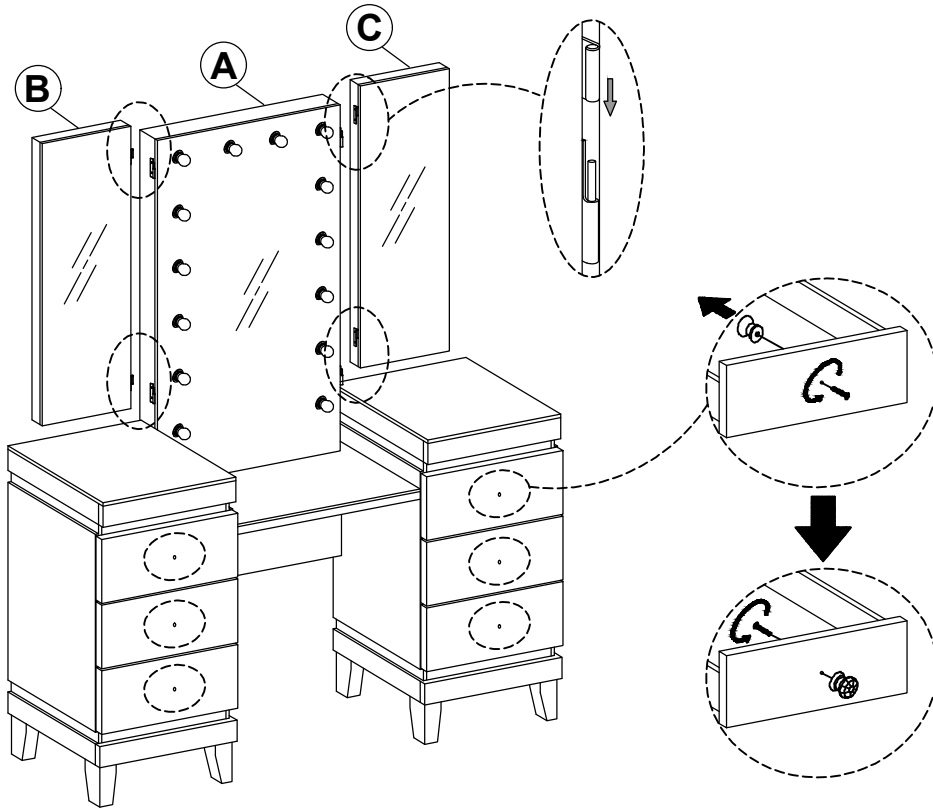
STEP 4



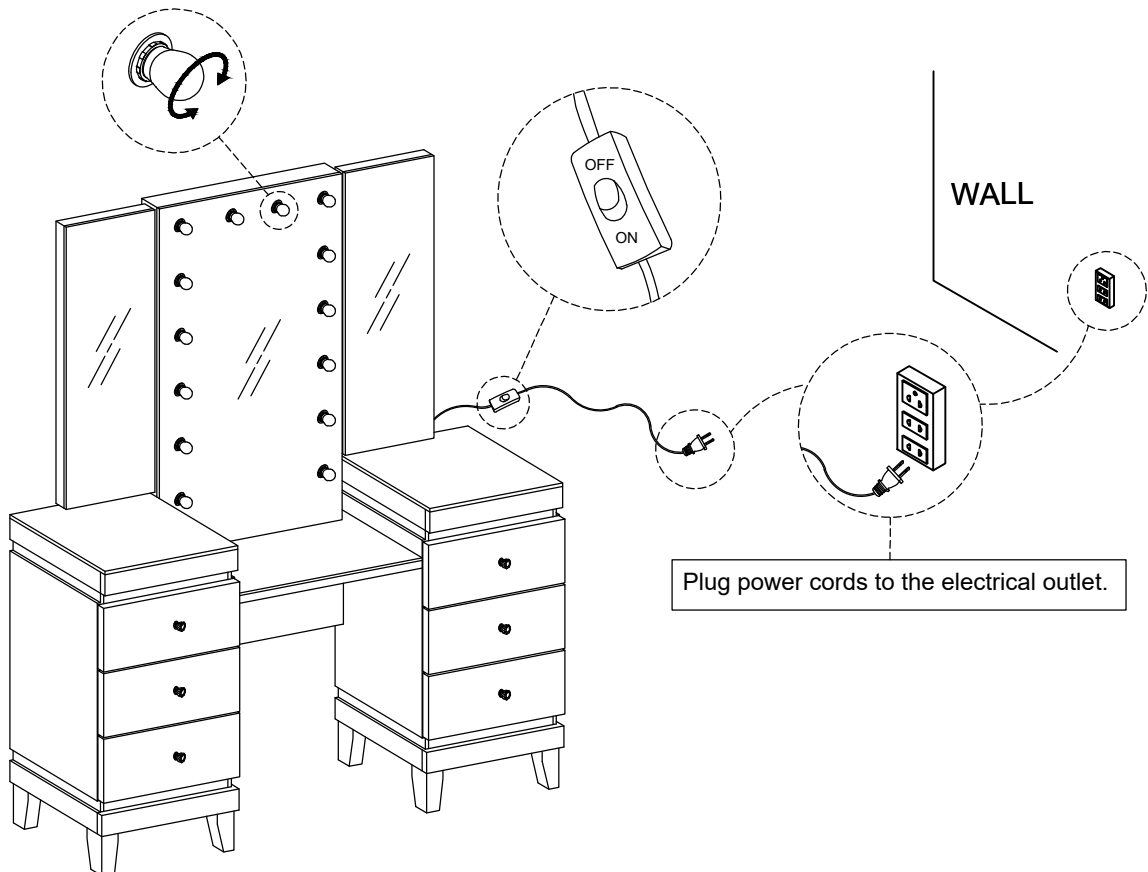
ITEM : 930244(B1&B2)



ASSEMBLY INSTRUCTIONS
STEP 5

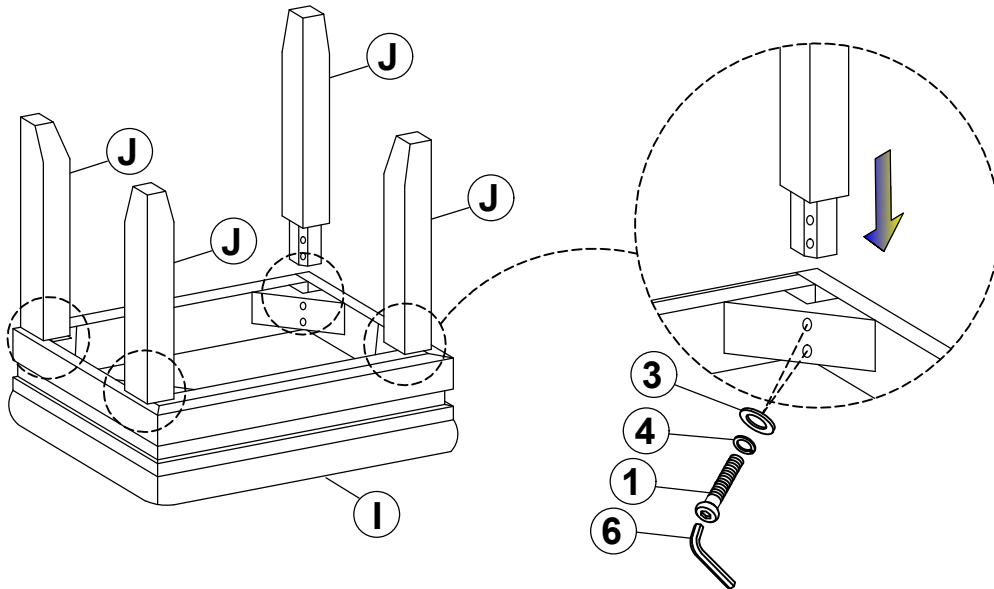


STEP 6

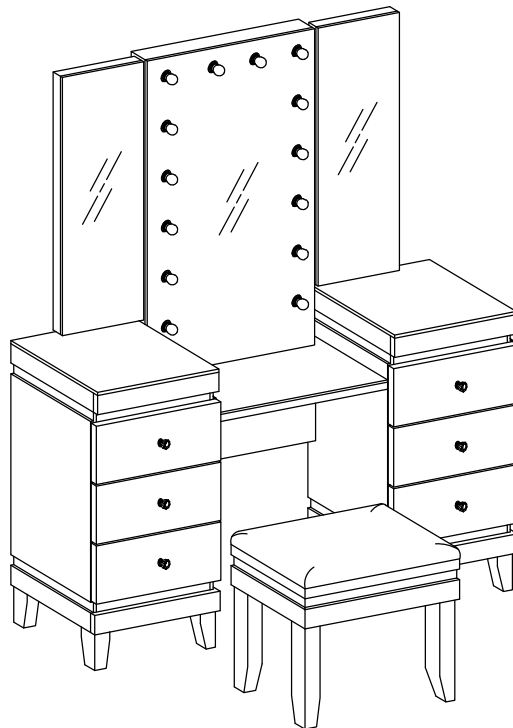


ITEM : **930244(B1&B2)**

ASSEMBLY INSTRUCTIONS
STEP 7



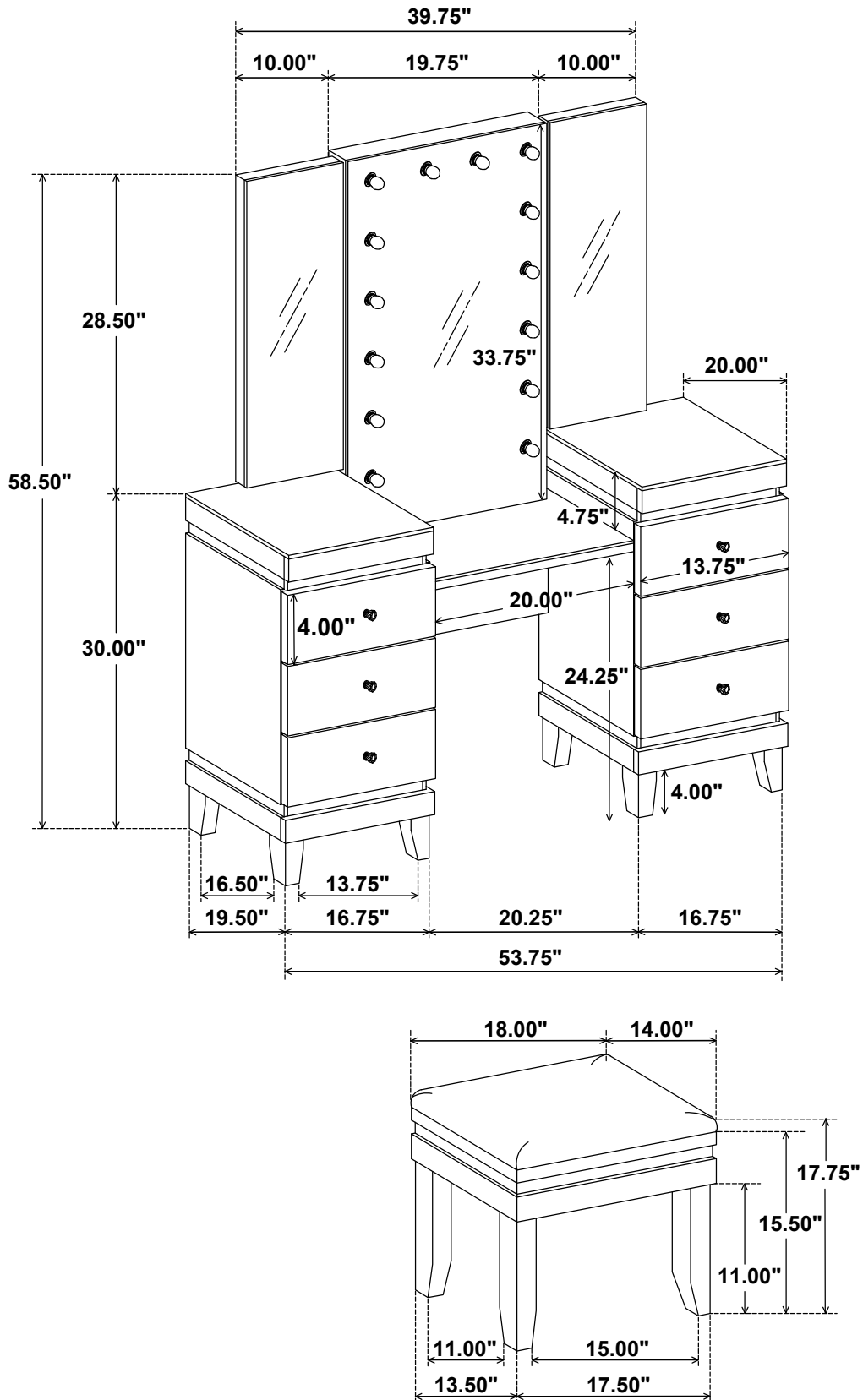
STEP 8
COMPLETE



ITEM : 930244(B1&B2)



Inner Size of Drawer : 13.75"W X 13.25"D X 4.00"H X 0.50"T



Note: Dimension tolerance $\pm 5\%$