



ASSEMBLY INSTRUCTIONS
COASTER FINE FURNITURE



Fine Furniture for every stage of life

120577
5Pc Counter Height Set

ITEM: 120577

ASSEMBLY INSTRUCTIONS



ASSEMBLY TIPS:

1. Remove hardware from box and sort by size.
2. Please check to see that all hardware and parts are present prior to start of assembly.
3. Please follow attached instructions in the same sequence as numbered to assure fast & easy assembly.



WARNING!






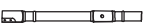


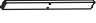


1. Don't attempt to repair or modify parts that are broken or defective. Please contact the store immediately.
2. This product is for home use only and not intended for commercial establishments.











ASSEMBLY TIME

35 MINUTES

PARTS IDENTIFICATION

A	TABLE TOP		1PC	G	SEAT CUSHION WITH FRAME		4PCS
B	LEG B		2PCS	H	LEG H		8PCS
C	LEG C		2PCS	I	LEG I		8PCS
D	TABLE TRESTLE BAR		1PC	J	SIDE STRETCHER		8PCS
E	TABLE SIDE STRETCHER		2PCS	K	MIDDLE STRECHER		8PCS
F	TABLE WOOD CLEAT		2PCS				

HARDWARE IDENTIFICATION

1	LONG BOLT (Ø5/16" x 2-1/2" - RBW)		8PCS	5	FLAT WASHER (Ø5/16" x 19mm - RBW)		40PCS
2	SHORT BOLT (Ø1/4" x 1-3/8" - RBW)		4PCS	6	LONG FLAT HEAD SCREW (Ø4 x 40mm - RBW)		20PCS
3	MEDIUM BOLT (Ø1/4" x 2-3/8" - RBW)		32PCS	7	SHORT FLAT HEAD SCREW (Ø3.5 x 15mm - RBW)		16PCS
4	LOCK WASHER (Ø5/16" x 13mm - RBW)		40PCS	8	ALLEN WRENCH (M4 x 59mm - RBW)		1PC

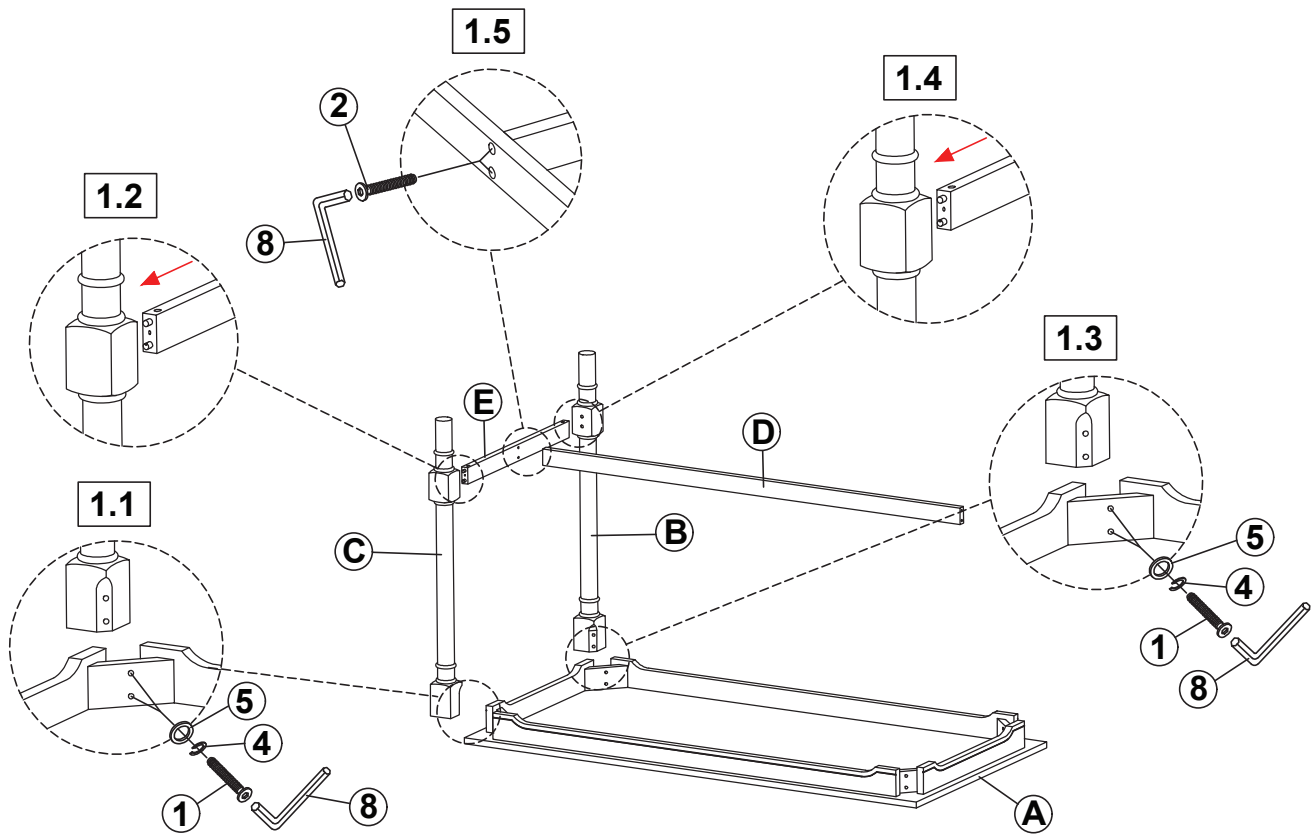
NOTE:

Phillips head screw driver is required in the assembly process. However, manufacturer does not provide this item.

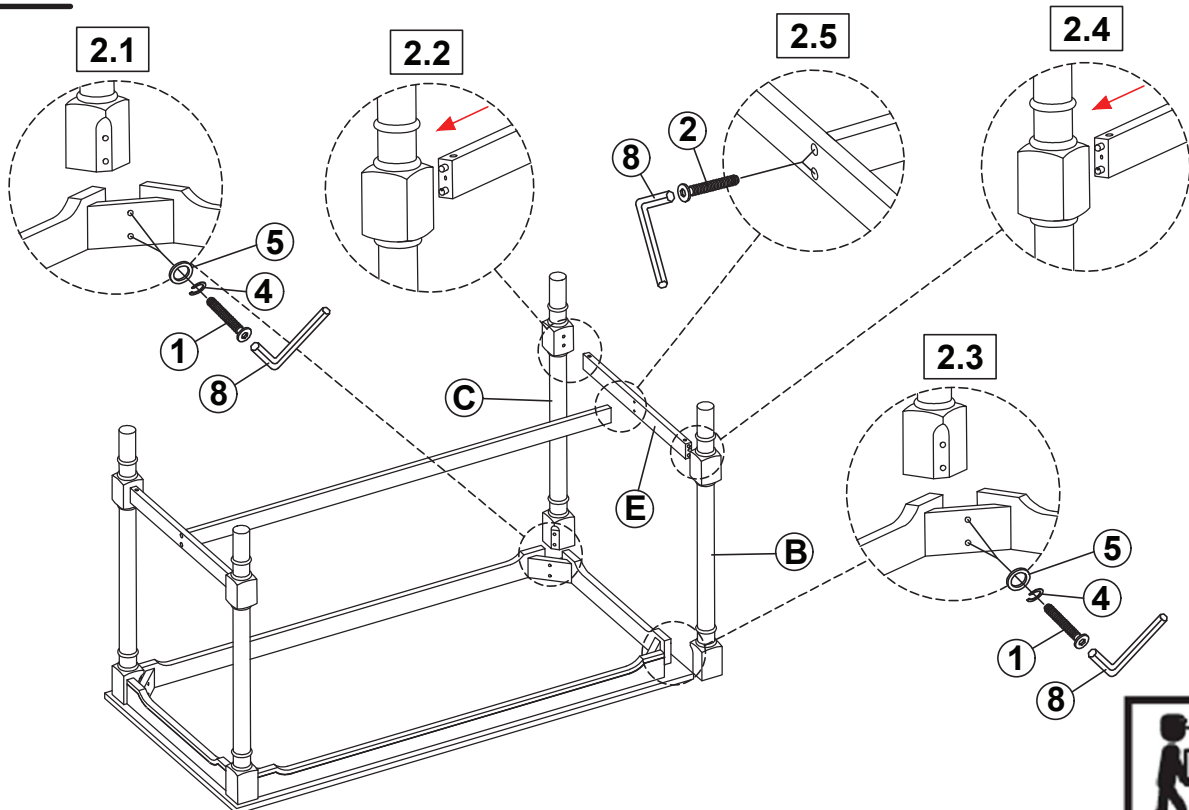
ITEM: 120577

ASSEMBLY INSTRUCTIONS

STEP 1



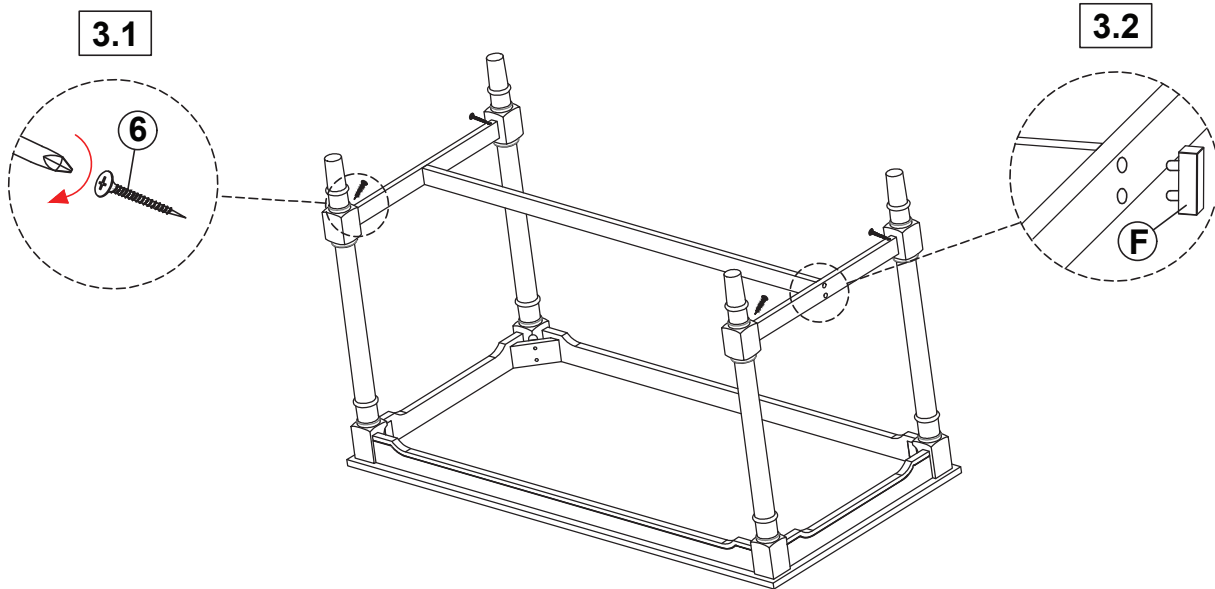
STEP 2



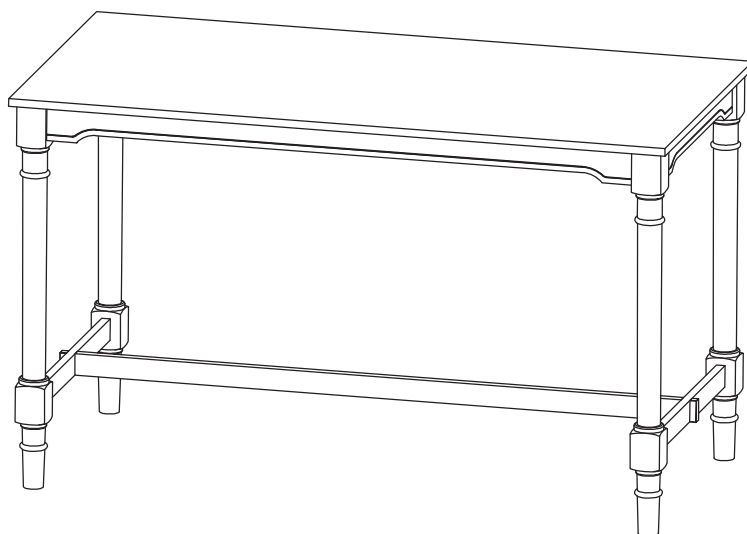
ITEM: 120577

ASSEMBLY INSTRUCTIONS

STEP 3



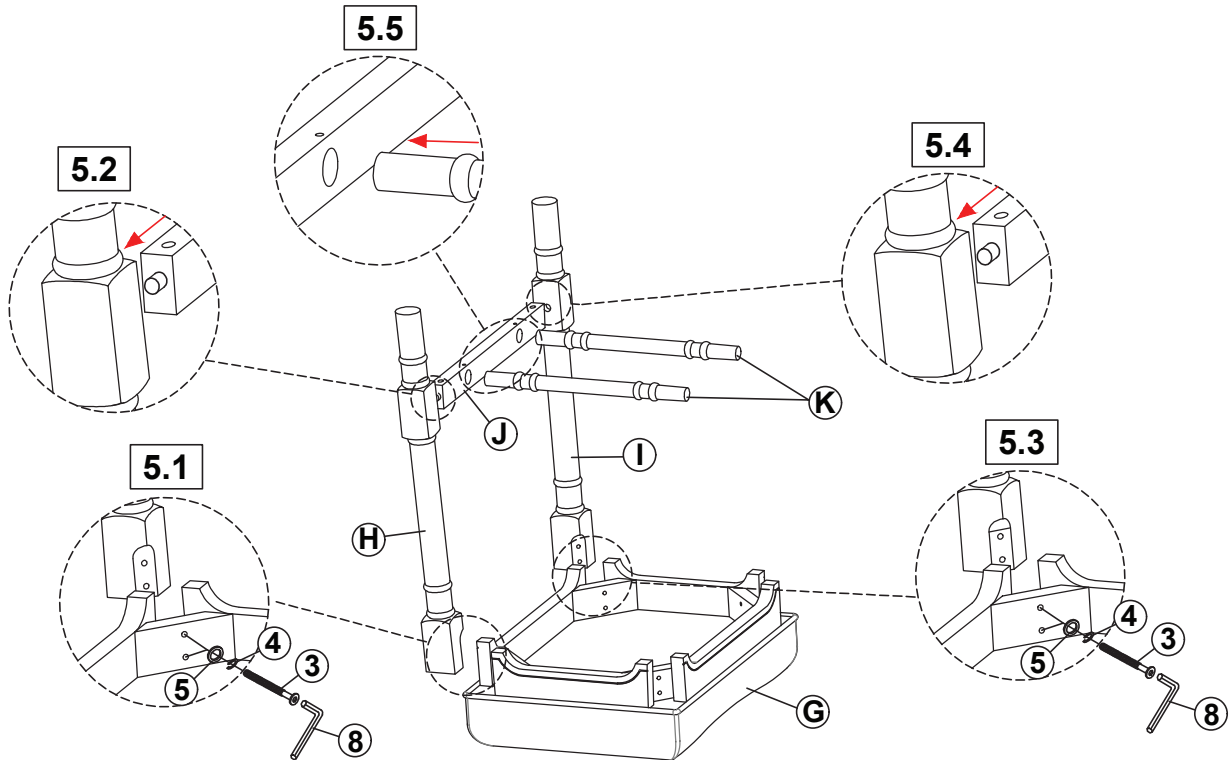
STEP 4



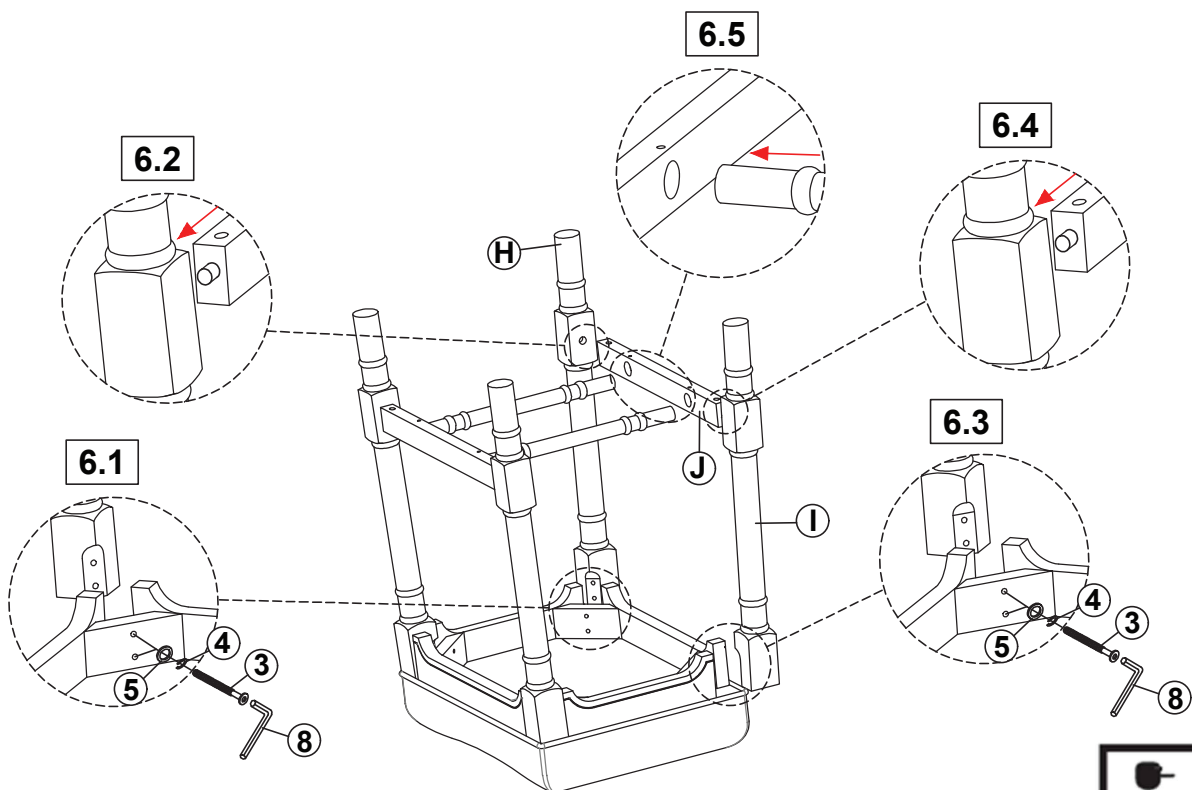
ITEM: 120577

ASSEMBLY INSTRUCTIONS

STEP 5



STEP 6

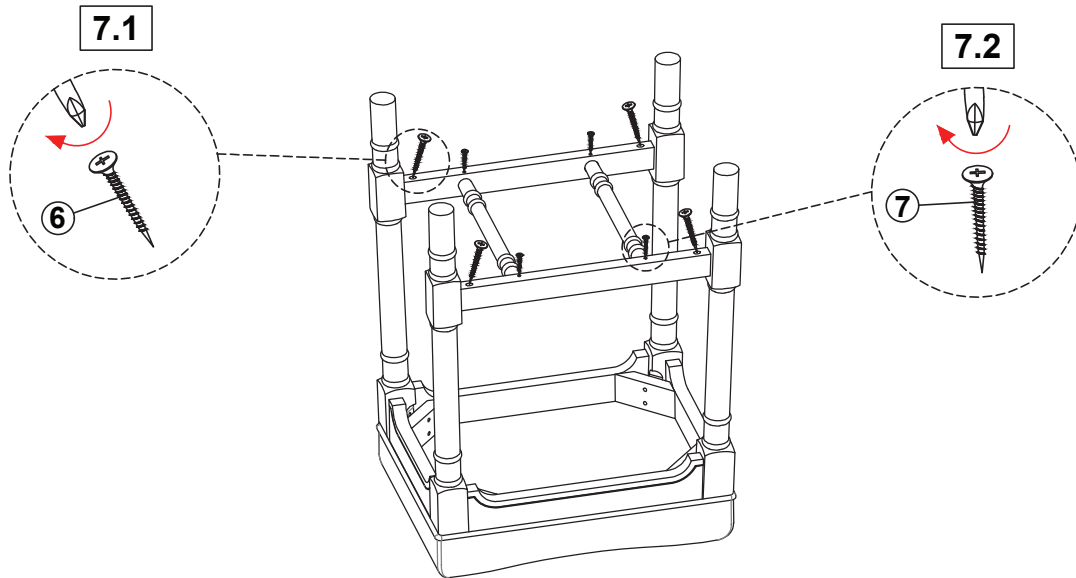


ITEM: 120577

ASSEMBLY INSTRUCTIONS

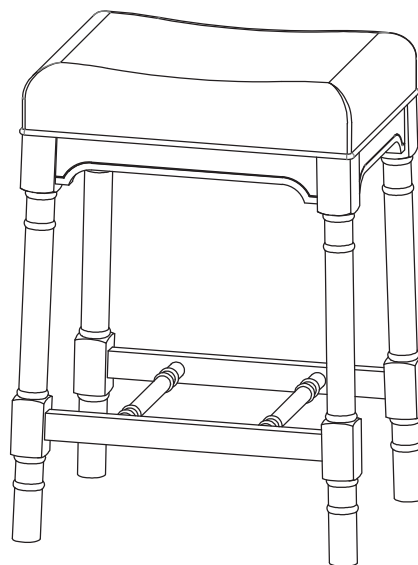


STEP 7

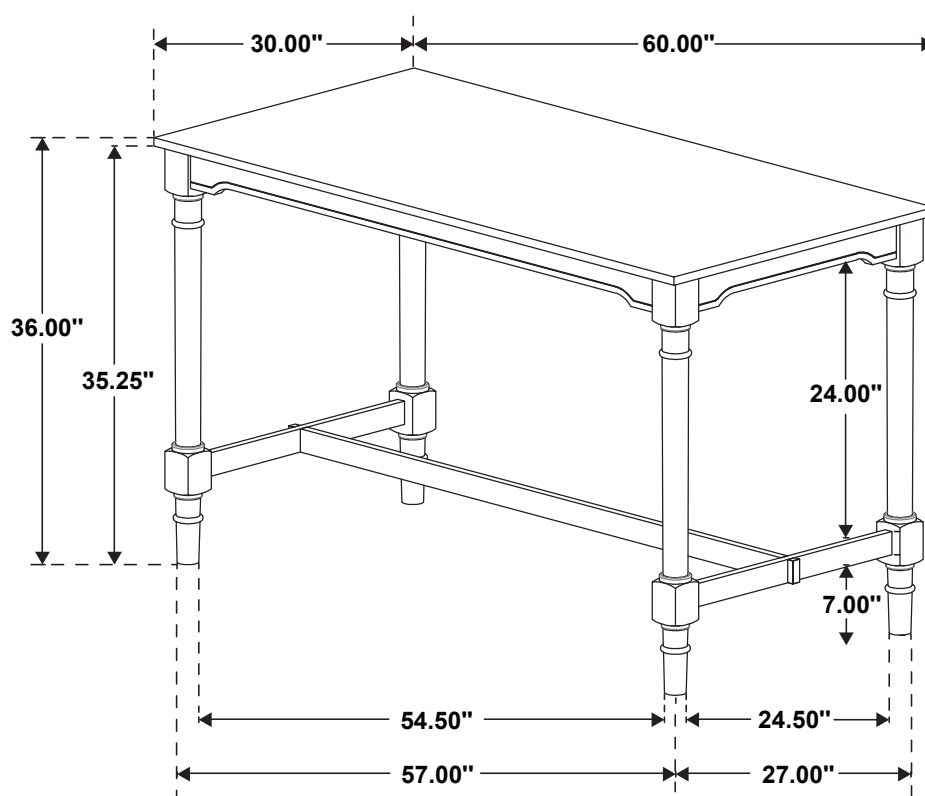


STEP 8

COMPLETE

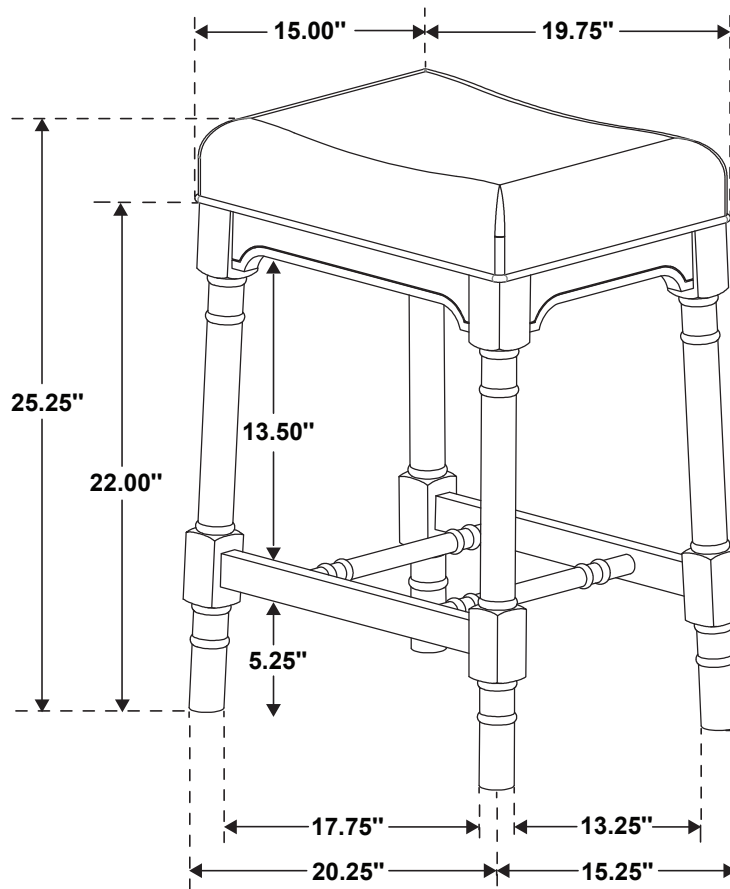


ITEM: 120577



Note: Dimension tolerance $\pm 5\%$

ITEM: 120577



Note: Dimension tolerance $\pm 5\%$