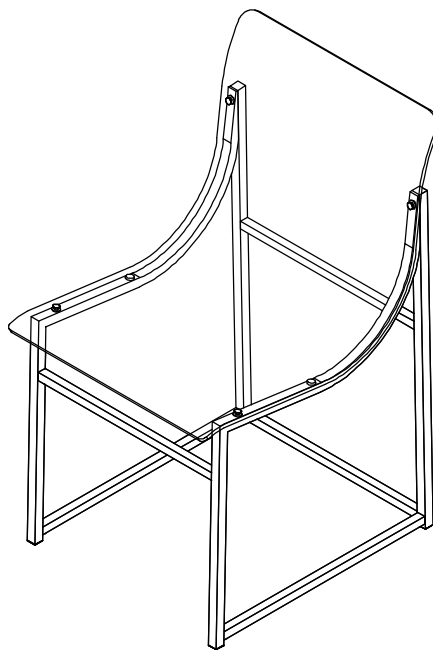


*ASSEMBLY INSTRUCTIONS*  
*COASTER FINE FURNITURE*



*Fine Furniture for every stage of life*

**121182**  
**DINING CHAIR**

ITEM:121182



# ASSEMBLY INSTRUCTIONS

## ASSEMBLY TIPS:

1. Remove hardware from box and sort by size.
2. Please check to see that all hardware and parts are present prior to start of assembly.
3. Please follow attached instructions in the same sequence as numbered to assure fast & easy assembly.



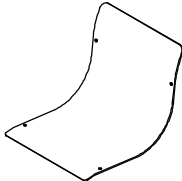
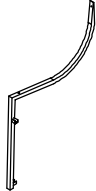
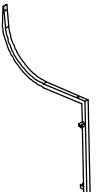
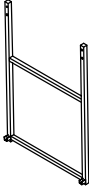

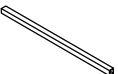
### WARNING!

1. Don't attempt to repair or modify parts that are broken or defective. Please contact the store immediately.
2. This product is for home use only and not intended for commercial establishments.



ASSEMBLY TIME 20 MINUTES

## PARTS IDENTIFICATION

A	SEAT AND BACK		1PC
B	LEFT LEG		1PC
C	RIGHT LEG		1PC
D	BACK FRAME		1PC
E	LONG CROSSBAR		2PCS
F	SHORT CROSSBAR		1PC

ITEM:121182

# ASSEMBLY INSTRUCTIONS

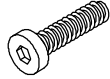
## HARDWARE IDENTIFICATION



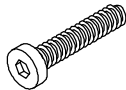
1 SHORT BOLT  
(1/4" x 12mm SR) 6PCS



2 LONG BOLT  
(1/4" x 22mm SR) 4PCS



3 LONG BOLT  
(1/4" x 30mm SR) 2PCS



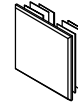
4 NUT 4PCS



5 PLASTIC WASHER 4PCS



6 CAP  
(18 x 18mm BLK) 4PCS



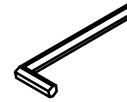
7 COVER 4PCS



8 SUCTION CUP 2PCS

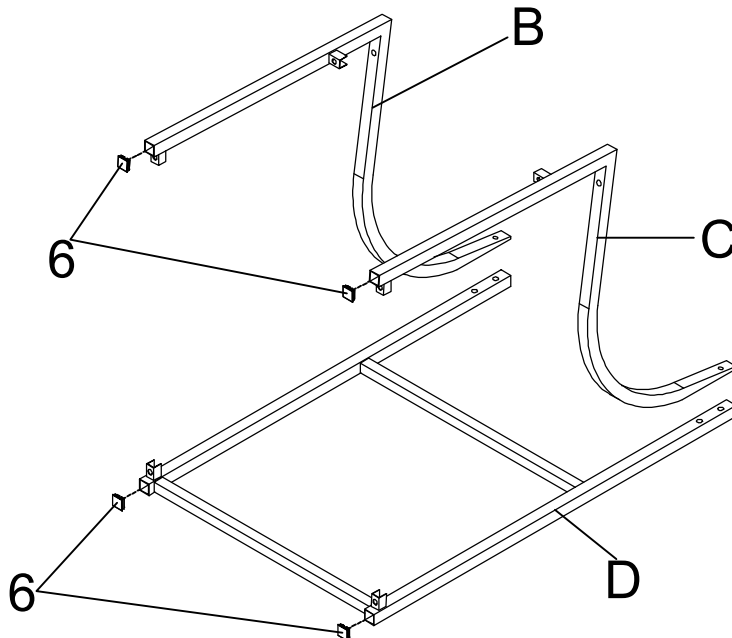


9 ALLEN WRENCH  
(4mm) 1PC



### STEP 1

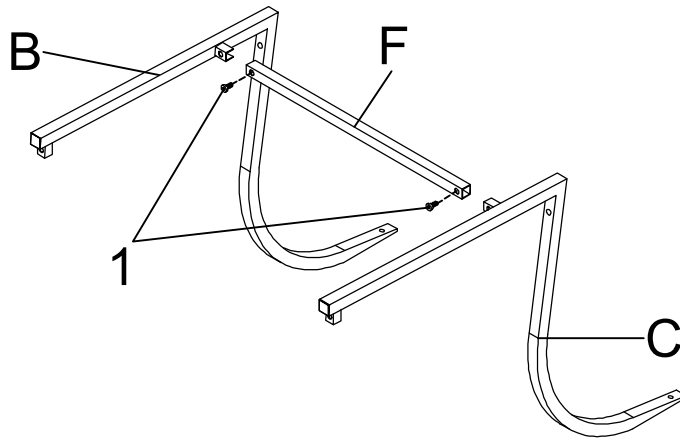
Do not tighten until each step is completed or instructed.



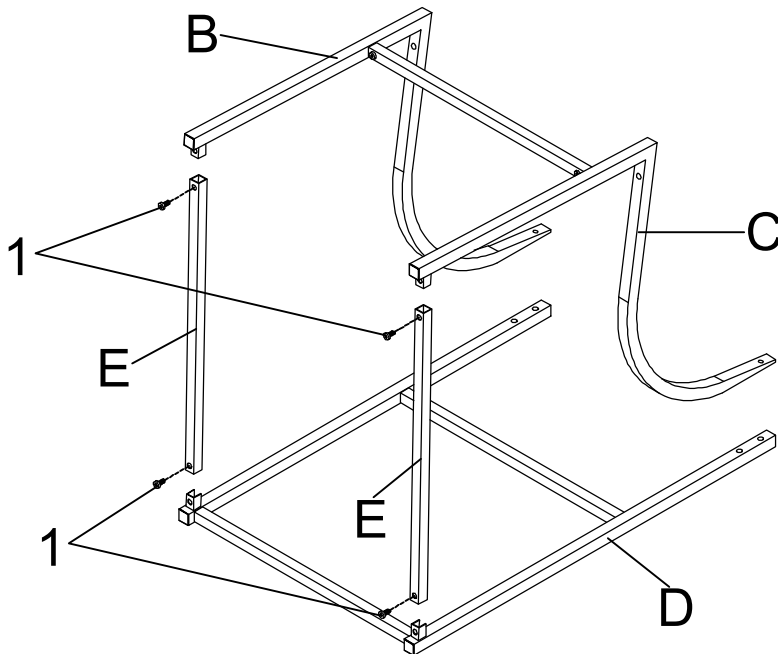
ITEM:121182

# ASSEMBLY INSTRUCTIONS

**STEP 1** Do not tighten until each step is completed or instructed.



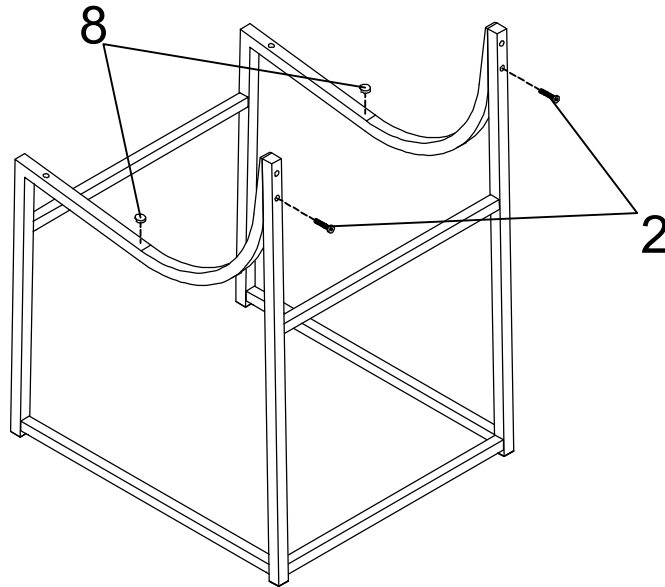
## STEP 2



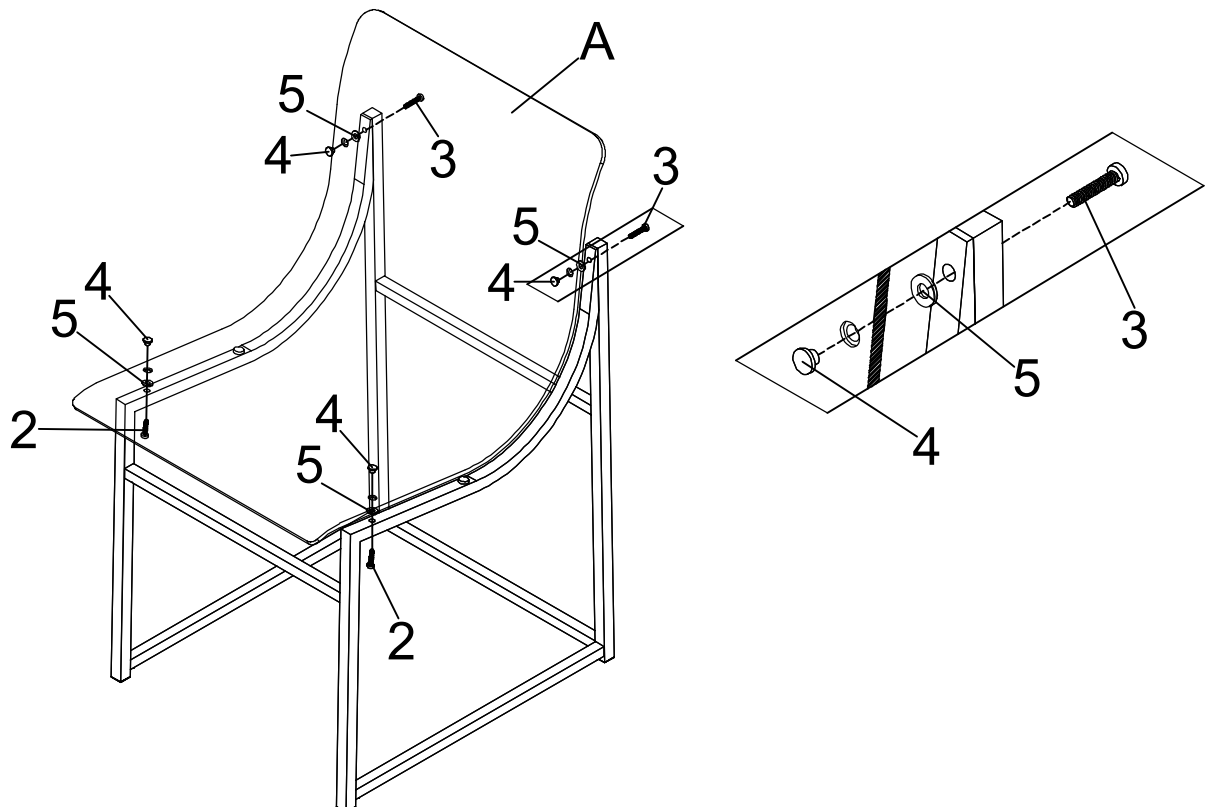
ITEM:121182

# ASSEMBLY INSTRUCTIONS

## STEP 3



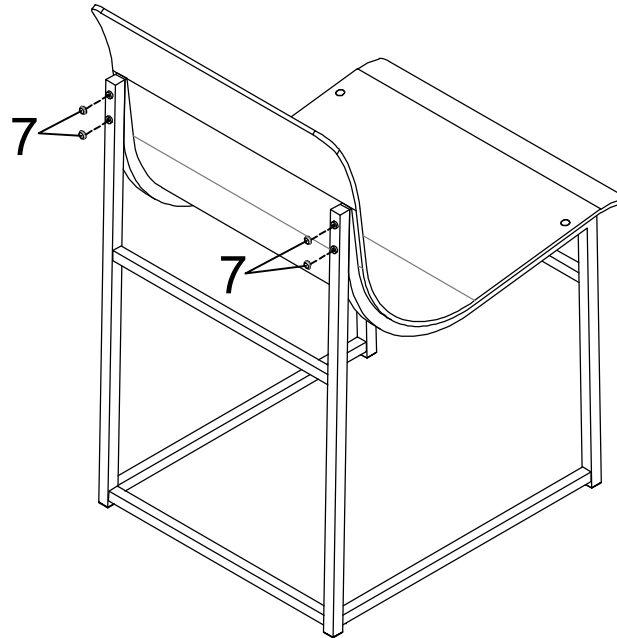
## STEP 4



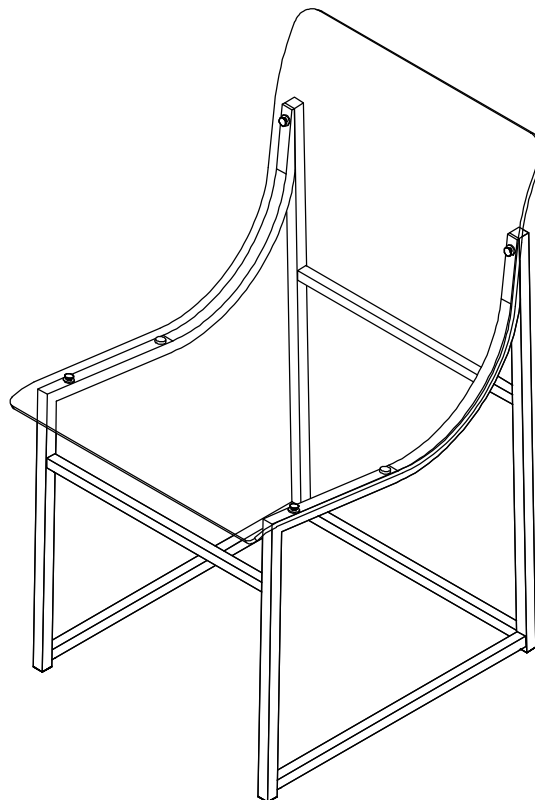
ITEM:121182

# ASSEMBLY INSTRUCTIONS

## STEP 5



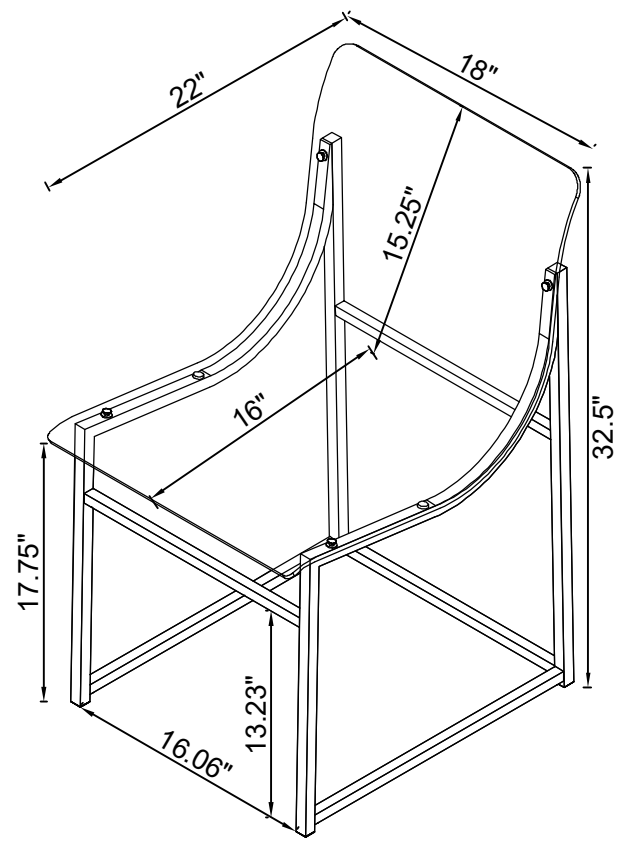
## STEP 6



# ITEM:121182 ASSEMBLY INSTRUCTIONS



<b>Product Size : 457 X 559 X 826 H (MM)</b>
<b>Product Size : 18" X 22" X 32.5"</b>



Note : Dimension tolerance  $\pm 5\%$